

Features

- CDR/Reclocker with 4:1 input multiplexer
- Integrated loop filter and terminations
- Serial control or hardwired control, JTAG boundary scan
- Low power consumption of 405 mW (all channels active)
- Built-in pattern generator and receiver for module and system testing (PRBS, 8b/10b, Fibre Channel, User Programmable patterns)
- User Selectable Input Equalization and Pre-Emphasis for backplane ISI reduction

Applications

- HD/SD-SDI Routing Switchers, Distribution amplifiers, and transport systems
- SONET systems and modules
- 10 GBASE-CX4 systems
- Gigabit Ethernet systems
- PCI-Express
- SAS/S-ATA/S-ATA2 systems

Standards Compliance

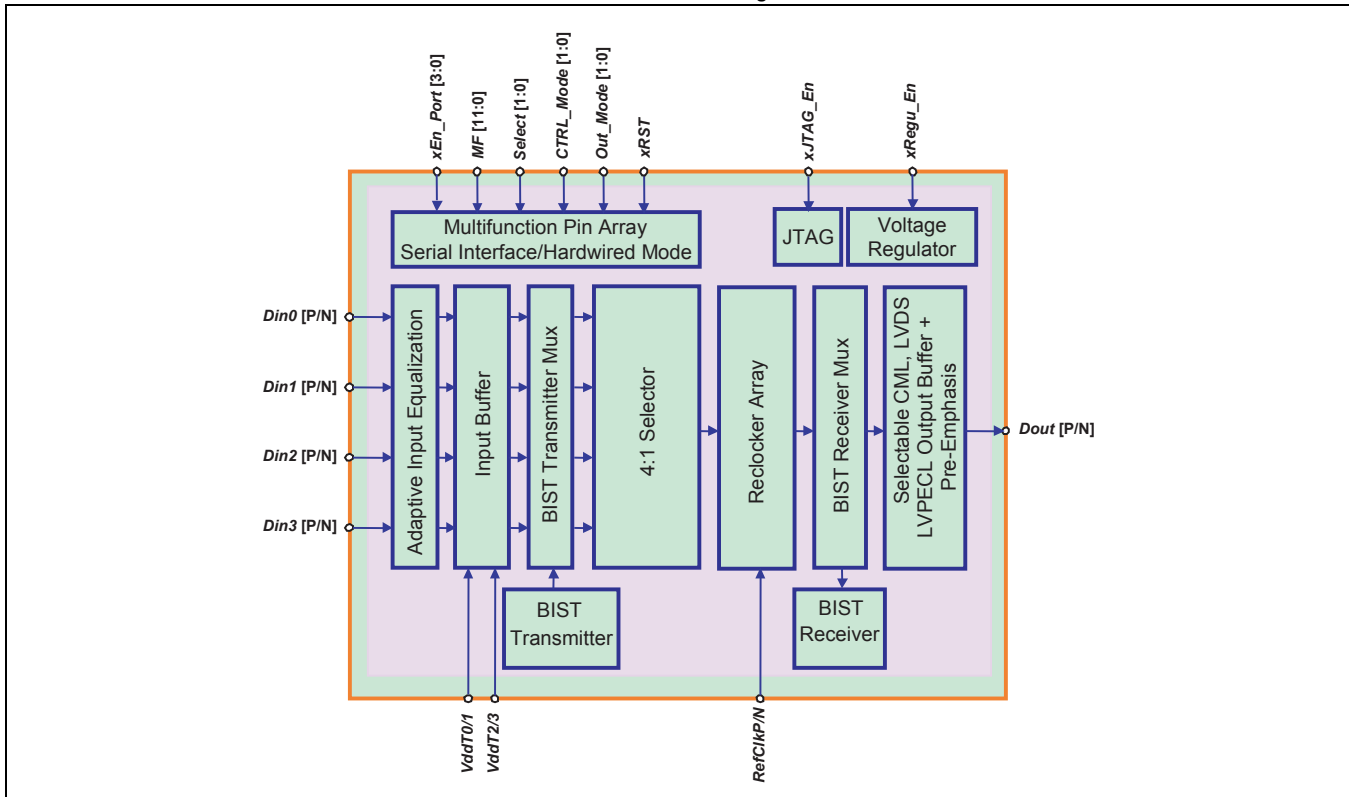
- SMPTE 292M
- SMPTE 259M
- SMPTE 344M
- SMPTE 424M

The M21262 is a CDR/reclocker with 4:1 input multiplexer for telecom, datacom, and HD/SD video applications. Each output channel has an independent multi-rate CDR capable of operating at data rates between 42 Mbps and 3.2 Gbps.

The M21262 can be controlled either through hardwired pins or through a serial programming interface. The hardwired mode eliminates the need for an external microcontroller to configure the device. The serial programming interface allows complete control of the device and is available as a two-wire or a four-wire interface.

The M21262 device supports JTAG external boundary scan, which includes all of the high-speed I/O as well as the traditional digital I/O.

Functional Block Diagram



M/A-COM Technology Solutions Inc. (MACOM) and its affiliates reserve the right to make changes to the product(s) or information contained herein without notice. Visit www.macom.com for additional data sheets and product information.

Ordering Information

Part Number	Package	Operating Temperature
M21262-12	72-terminal, 10mm, MLF	-40 °C to 85 °C
M21262G-12*	72-terminal, 10mm, MLF	-40 °C to 85 °C

* The letter "G" designator after the part number indicates that the device is RoHS compliant. The RoHS compliant devices are backwards compatible with 225 °C reflow profiles.

Revision History

Revision	Level	Date	Description
V3	Release	May 2015	Updated logos and page layout. No content changes.
C (V2)	Release	April 2008	Added SMPTE 424M in standards compliance list. Revised Section 2.8 . Added 2 x HD-SDI data in Table 1-6 , Table 1-15 , and Table 2-14 .
B (V1)	Release	April 2007	Removed M21261 from data sheet. Added support for datacom/telecom rates up to 3.2 Gbps. Updated specification tables. Updated register tables.
A (V1P)	Preliminary	April 2004	Initial release. Original Document Number 21261-DSH-001-A.

Table of Contents

Ordering Information	ii
Revision History	ii
Table of Contents	iii
1.0 Functional Description	1
1.1 Detailed Feature Descriptions	1
1.1.1 Conventions	1
1.1.2 Reset	1
1.1.3 Internal Voltage Regulator	1
1.1.4 High-Speed Input/Output Pins	2
1.1.5 Selector Settings	3
1.1.6 Reclocker Reference Frequency	4
1.1.7 Multifunction Pins Overview	4
1.1.8 Multifunction Pins Defined for Hardwired Mode	5
1.1.9 Multifunction Pins: Four-Wire Serial Interface	6
1.1.10 Two-Wire Serial Interface	8
1.1.11 JTAG	9
1.1.12 Input Deterministic Jitter Attenuators	9
1.1.13 Output Pre-Emphasis	11
1.1.14 CDR/RCLK Overview	12
1.1.15 General CDR/RCLK Features	13
1.1.16 Multirate CDR Data Rate Selection	13
1.1.17 Frequency Acquisition	14
1.1.18 CDR/Reclocker Data Rate Programming (HD/SD-SDI data rates only)	17
1.1.19 Ambient Temperature Range Limitations	18
1.1.20 Loss of Activity	19
1.1.21 Built-In Self Test (BIST) Overview	19
1.1.22 BIST Test Patterns	19
1.1.23 BIST Receiver (BIST Rx) Operation	20
1.1.24 BIST Transmitter (BIST Tx) Operation	20
1.1.25 Junction Temperature Monitor	21
1.1.26 IC Identification / Revision Code	21
1.2 Pin Definitions	22
2.0 Product Specifications	25
2.1 Absolute Maximum Ratings	25

2.2	Recommended Operating Conditions	26
2.3	Power Dissipation	26
2.4	Input/Output Specifications	27
2.5	High-Speed Performance Specifications	34
2.6	Package Drawings and Surface Mount Assembly Details	38
2.7	PCB High-Speed Design and Layout Guidelines	44
2.8	Auto Rate Detect (ARD)	46
3.0	Registers	47
3.1	Global Control Registers	48
3.1.1	Global Control	48
3.1.2	Input Multiplexer Settings	48
3.1.3	External Reference Frequency Divider Control (RFD)	49
3.1.4	Master IC Reset	49
3.1.5	IC Electronic Identification	49
3.1.6	IC Revision Code	49
3.1.7	Built In Self-Test (BIST) Receiver Main Control Register	50
3.1.8	Built In Self-Test (BIST) Receiver Bit Error Counter	50
3.1.9	Built In Self-Test (BIST) Transmitter Channel Select	51
3.1.10	Built In Self-Test (BIST) Transmitter Main Control Register	52
3.1.11	Built In Self-Test (BIST) Transmitter PLL Loss of Lock Register	53
3.1.12	Built In Self-Test (BIST) Transmitter PLL Control Register A	54
3.1.13	Built In Self-Test (BIST) Transmitter PLL Control Register B	55
3.1.14	Built In Self-Test (BIST) Transmitter PLL Control Register C	55
3.1.15	Built In Self-Test (BIST) Transmitter 20 bit User Programmable Pattern	56
3.1.16	Built In Self-Test (BIST) Transmitter 16/20 bit User Programmable Pattern	56
3.1.17	Built In Self-Test (BIST) Transmitter 16/20 bit User Programmable Pattern	56
3.1.18	Built In Self-Test (BIST) Transmitter Alarm	57
3.1.19	Internal Junction Temperature Monitor	57
3.1.20	Internal Junction Temperature Value	58
3.1.21	CDR/RCLK Loss of Lock Register Alarm Status	58
3.1.22	CDR/RCLK Loss of Activity Register Alarm Status	58
3.1.23	CDR/RCLK Control Register A	59
3.1.24	CDR/RCLK Control Register B	60
3.1.25	CDR/RCLK Control Register C	60
3.1.26	Output Buffer Control for CDR/RCLK	61
3.1.27	Output Buffer Pre-Emphasis Control for Output	62
3.1.28	Input Equalization Control for Output	62
3.1.29	CDR/RCLK Loop Bandwidth and Data Sampling Point Adjust	63
3.1.30	CDR/RCLK LOL Window Control	64
3.1.31	Jitter Reduction Control	65
Appendix		66
A.1	Glossary of Terms/Acronyms	66

- A.2 Reference Documents 67
 - A.2.1 External 67
 - A.2.2 MACOM 67

1.0 Functional Description

1.1 Detailed Feature Descriptions

1.1.1 Conventions

Throughout this data sheet, physical pins will be denoted in **bold italic** print. An array of pins can be called by each individual pin name (e.g. ***MF0***, ***MF1***, ***MF2***, ***MF3***, and ***MF6***) or as an array (e.g. ***MF*** [6, 3:0]). The M21262 control is accessed through registers that employ an 8-bit address and an 8-bit data scheme. Registers are denoted in italic print, (e.g. *TestRegister*) and individual bits within the register will be called out as *TestRegister* [4:3] to denote the 4th and 3rd bit where bit 0 is the LSB and bit 7 is the MSB. Many features of the device are bit mapped within a register; if the status of the other bits are uncertain, it is recommended that the user reads the value from the register before writing, to assure only the desired bits change. Writing in the same value to the bits within a register does not cause glitches to the unchanged features. The addresses for the registers as well as their functions can be found in detail in [Chapter 3](#). The purpose of the text description is to highlight the features of the registers. For redundant items, such as the channel number, the registers will have a nomenclature of *TestReg_0* for channel 0, *TestReg_1* for channel 1, *TestReg_2* for channel 2, *TestReg_3* for channel 3.

1.1.2 Reset

Upon application of power, the M21262 automatically generates a master reset. At any time, forcing ***xRST*** = L causes the M21262 to enter the master reset state. A master reset can also be initiated through the registers in the serial interface control mode by writing AAh to *Mastreset*. Once a master reset is initiated, all registers are returned to the default values, the internal state machines cleared, and all CDR/RCLK/BIST reset to the out-of-lock condition. After a reset, the register *Mastreset* will automatically return to the default value of 00h.

The CDR/RCLK can be soft reset by setting CDR *RCLK_ctrlA* [7] = 1. The bit should be returned to 0b for normal operation. After a soft reset, the registers that determine the CDR/RCLK operation options such as data rate, window sizes, etc., remain unchanged and only the CDR/RCLK state machine is reset, resulting in an out-of-lock condition.

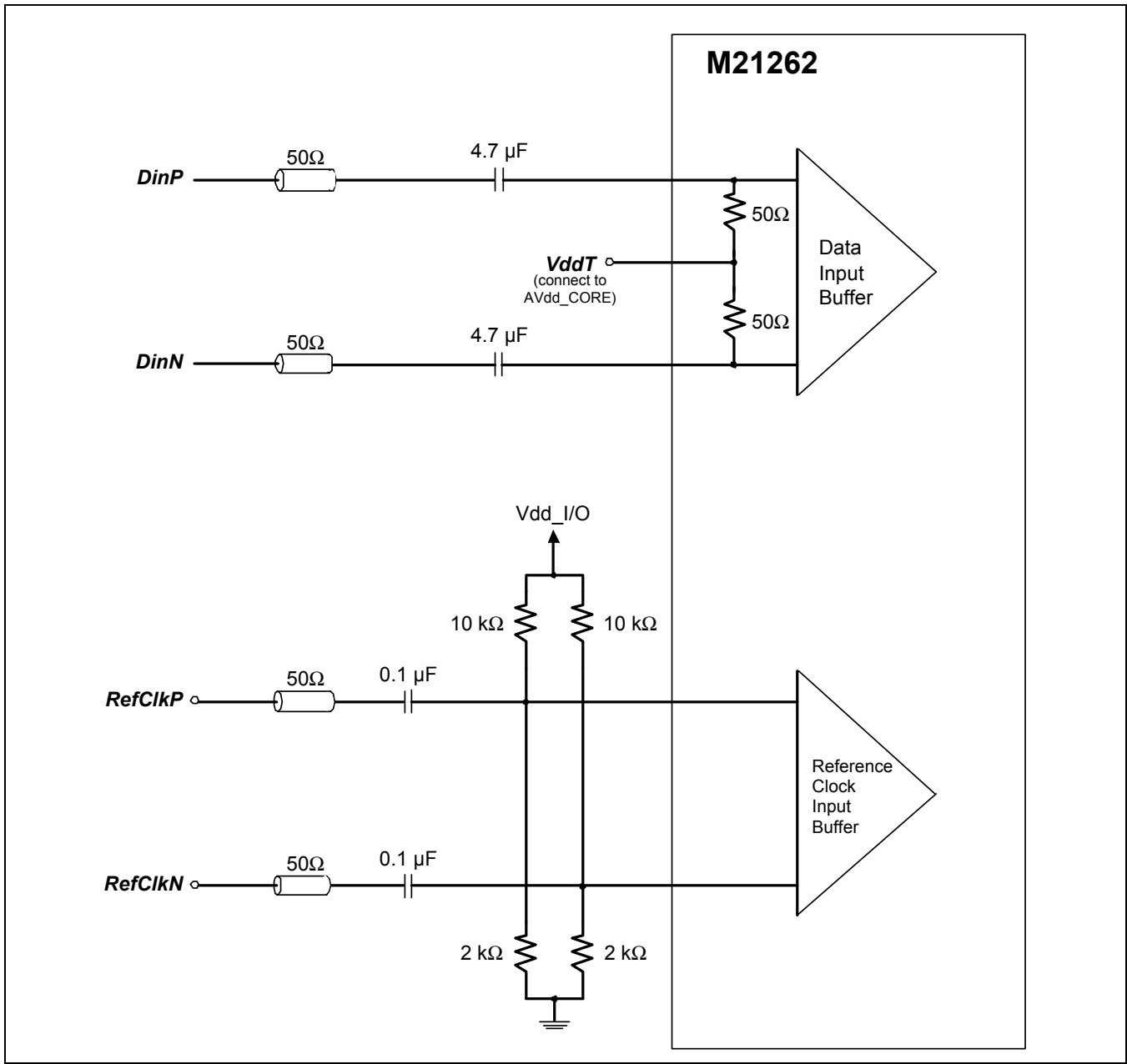
1.1.3 Internal Voltage Regulator

The digital and analog core are designed to run at 1.2V, however, for operation from 1.8V to 3.3V, an internal linear regulator is provided. ***xRegu_En*** = L enables the voltage regulator which uses ***AVdd_I/O*** and ***DVdd_I/O*** to generate the required 1.2V for ***AVdd_Core*** and ***DVdd_Core***. In this mode, the ***AVdd_Core*** and ***DVdd_Core*** pins should be connected to a floating DC low inductance PCB plane and AC bypassed to ***Vss*** using standard decoupling techniques. If desired, ***AVdd_Core*** and ***DVdd_Core*** can be separated into individual planes. If 1.2V is available, it can be connected directly to ***AVdd_Core*** and ***DVdd_Core***, to save power, by bypassing the internal linear regulator with ***xRegu_En*** = H. In this case, it is recommended that the ***AVdd_Core*** and ***DVdd_Core*** pins be tied together to a common PCB plane, and bypassed to ***Vss*** with standard decoupling techniques.

1.1.4 High-Speed Input/Output Pins

The high-speed input data interface is a differential input buffer, similar to a PCML design that is referenced to Avdd_CORE (1.2V). The high-speed serial differential data (42 Mbps to 3200 Mbps) enters the device via **Din** [3:0, P/N]. Inputs 0 and 1 are internally terminated with 50Ω to **VddT0/1** and inputs 2 and 3 are terminated with 50Ω to **VddT2/3**. The **VddT** pins should be connected to **AVDD_Core** for a proper termination of the inputs. See [Figure 1-1](#) for recommended data and reference clock input coupling circuits.

Figure 1-1. Recommended Data and Reference Clock Input Coupling Circuitry



The M21262 supports multiple high-speed output modes. The output modes are selectable with hardwired pins only. The I/O interface is set with **Out_Mode** [1:0] and the output level with **MF** [9:8] as shown in Table 1-1. In the serial interface mode, the **Out_ctrl_N** [7:6] register is used to set the data level, and **Out_Mode** [1:0] is used to set the interface type. In the serial interface mode, the data output can be enabled with **Out_ctrl_N** [2] = 1b (default) and the output data polarity can be flipped by setting **Out_ctrl_N** [3] = 1b (default: no inversion). Output data polarity flip is an internal function that would have the same effect as switching the P and N terminals. The recommended **AVdd_I/O** for the different output interfaces is shown in Table 1-2. The nonstandard lower swing modes for PECL and InfiniBand are provided for lower power dissipation, when desired.

Table 1-1. Output Interface and Level Mapping (For both hardwired and software modes)

Multifunction Pins & Register MF [9:8] Out_ctrl_N [7:6]	PCML Mode Out_Mode [1:0] = 00b	LVDS Mode Out_Mode [1:0] = 01b	PCML+ Mode Out_Mode [1:0] = 11b
00b	Off	Off	Off
01b	550 mV	RRL at 450 mV	900 mV
10b	900 mV	GPL at 650 mV	1200 mV
11b	1200 mV	1000 mV	1500 mV

Table 1-2. Output Interface and Recommended AVdd_I/O Range

Output Logic	AVdd_I/O Range (V)
Off	1.8–3.3
PCML at 550 mV	1.8–3.3
PCML at 900 mV	1.8–3.3
PCML at 1200 mV	1.8–3.3
PCML+ at 1500 mV	1.8–3.3
LVDS GPL	1.8–3.3
LVDS RRL	1.8–3.3

1.1.5 Selector Settings

Table 1-3 details the selector configuration for each setting for the hardwired pins **Select_Mode**[1:0].

The M21262 allows the user to route any of the four inputs to the output channel. The selector can be configured through the control register or through the hardwired pins **Select_Mode**[1:0].

Table 1-3. Selector Configuration Settings

Mode 0	Mode 1	Output
0	0	input 0
0	1	input 1
1	0	input 2
1	1	input 3

1.1.6 Reclocker Reference Frequency

An external reference clock is applied to **RefClk**[P/N] to enable frequency acquisition in the Reclocker. PCML, LVTTTL, CMOS are examples of the wide variety of interfaces supported for the reference clock. The inputs contain a DC-coupled 100Ω differential termination between **RefClkP** and **RefClkN** along with a 100 kΩ pull-down on each terminal to **Vss**. After this termination/pull-down block, the inputs are AC coupled internally. The common-mode and allowable voltage swings are specified in Table 2-10. The **RefClk** common-mode must be above 250 mV, which may require external pull-ups, in the case of external AC coupling.

1.1.7 Multifunction Pins Overview

The M21262 is designed to be an extremely versatile device, with many user selectable options in the CDR/RCLK and I/O to optimize performance. All of these options can be accessed and controlled through the serial interface. The serial interface I/O pins and address pins are mapped to the multifunction pins **MF** [11:0]. A subset of the key features for most applications, such as standard data rates, I/O levels, etc., can be selected through **MF** [11:0] in the hardwired mode. The hardwired mode does not require the use of the serial interface. In this mode, upon power up (auto reset on power up), the M21262 function is determined by the status of the hardwired pins. During operation, the hardwired pins can change states, which would cause the device to follow with the appropriate action. Another feature of the multifunction pins is to support JTAG testing of this device during PCB manufacturing.

The various control and test modes of this device are selected with three pins: **CTRL_Mode** [1:0], and **xJTAG_En**. **xJTAG_En** = L overrides **CTRL_Mode** [1:0], and puts the device in JTAG test mode, while **xJTAG_En** = H allows **CTRL_Mode** [1:0] to determine the M21262 control mode, as summarized in Table 1-4.

Table 1-4. Mode Select Pins

Pin	JTAG Test Mode	Hardwired Mode	4-Wire Serial	I ² C-Compatible 2-Wire Serial
xJTAG_En	L	H	H	H
CTRL_Mode [1:0]	no impact	11b	00b	01b

1.1.8 Multifunction Pins Defined for Hardwired Mode

In the hardwired mode, a subset of options in the M21262 can be accessed with hardwired physical pins, as defined in Table 1-5. The hardwired bit rates along with the default reference clock frequency are shown in Table 1-5. Table 1-6 provides the default reference clock frequency associated with each hardwired data rate.

Table 1-5. Multifunction Pins for Hardwired Mode

Pin	Name	Function	Description
MF0	Rate_Sel_0	Data rate selection	CDR/Reclocker data rate select (see Table 1-6 for description)
MF1	Rate_Sel_1	Data rate selection	CDR/Reclocker data rate select (see Table 1-6 for description)
MF2	Rate_Sel_2	Data rate selection	CDR/Reclocker data rate select (see Table 1-6 for description)
MF3	Rate_Sel_3	Data rate selection	CDR/Reclocker data rate select (see Table 1-6 for description)
MF4	xPre_Emp_En	Pre-emphasis control	L = Pre-emphasis enable H = Pre-emphasis disable
MF5	RSVD_Int_0	MACOM internal	Internal use only
MF6	RSVD_Int_1	MACOM internal	Internal use only
MF7	xPol_Flip_En	Data polarity flip	L = Data polarity flip H = Standard data polarity
MF8	Out_Level_[1:0]	Output level selection	00b: All outputs disabled 01b: 500 mV (CML) 10b: 900 mV (CML) 11b: 1200 mV (CML) See Table 1-1 for the other output interface modes.
MF9		Output level selection	
MF10	xEQ_En	Equalization control	L = Input equalization enabled H = Input equalization disabled
MF11	xRCLK_BYP_En	CDR/RCLK bypass control	L = CDR/Reclocker bypassed and powered down H = CDR/Reclocker enabled

Table 1-6. Hardwired Bit Rates and Associated Reference Frequencies

Pins MF[3:0]	Application	Bit Rate (Mbps)	Reference Frequency (MHz)
0000	2 x HD-SDI	2967/2970	12.0
0001	HD-SDI	1485 /1483.5	12.0
0010	2 x SD-SDI	540	12.0
0011	Progressive Scan Video	360	12.0
0100	SD-SDI	270	12.0
0101	Legacy Comp Video	177	12.0
0110	Legacy Comp Video	143	12.0

1.1.9 Multifunction Pins: Four-Wire Serial Interface

The second serial interface mode is a four-wire programming interface that has been traditionally used on MACOM earlier generation crosspoints and CDRs and is capable of higher speed operation than the two-wire interface. The interface consists of a unidirectional clock and a data input and data output line. For use with multiple ICs, a serial interface chip select pin is provided. Table 1-7 illustrates how the four-wire serial interface maps into the multifunction pins. This serial interface can operate with a maximum clock rate of 20 MHz.

Table 1-7. Multifunction Pins for Four-Wire Interface

Pin	Function	Description
MF4	SDI	Serial Data In
MF5	xCS	Chip Select, active low
MF10	SCLK	Clock
MF11	SDO	Serial Data Out

The serial I/O shifts data in from the external controller on the rising edge of **SCLK**. The serial I/O operation is gated by **xCS**. Data is shifted in on **SDI** on the falling edge of **SCLK**, and shifted out on **SDO** on the rising edge of **SCLK**. To address a register, a 10-bit input consists of the first bit (Start Bit, SB = 1), the second bit (Operation Bit, OP = 1 for read, = 0 for write), followed by the 8-bit ADDR (MSB first) as shown in Figure 1-2.

Figure 1-2. Serial Word Format

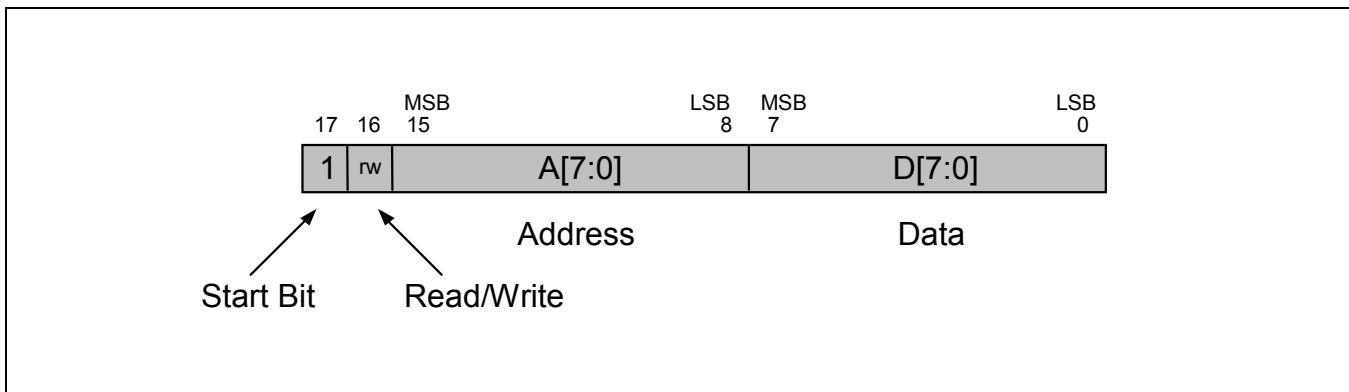


Figure 1-3 illustrates the Serial Write Mode. To initiate a Write sequence, **xCS** goes low before the falling edge of **SCLK**. On each falling edge of the clock, the 18-bits consisting of the SB = 1, OP = 0, ADDR, and DATA, are latched into the input shift register. The rising edge of **xCS** must occur before the falling edge of **SCLK** for the last bit. Upon receipt of the last bit, one additional cycle of **SCLK** is necessary before DATA transfers from the input shift register to the addressed register. If consecutive read/write cycles are being performed, it is not necessary to insert an extra clock cycle between read/write cycles, however one extra clock cycle is needed after the last data bit of the last read/write cycle.

Figure 1-3. Serial WRITE Mode

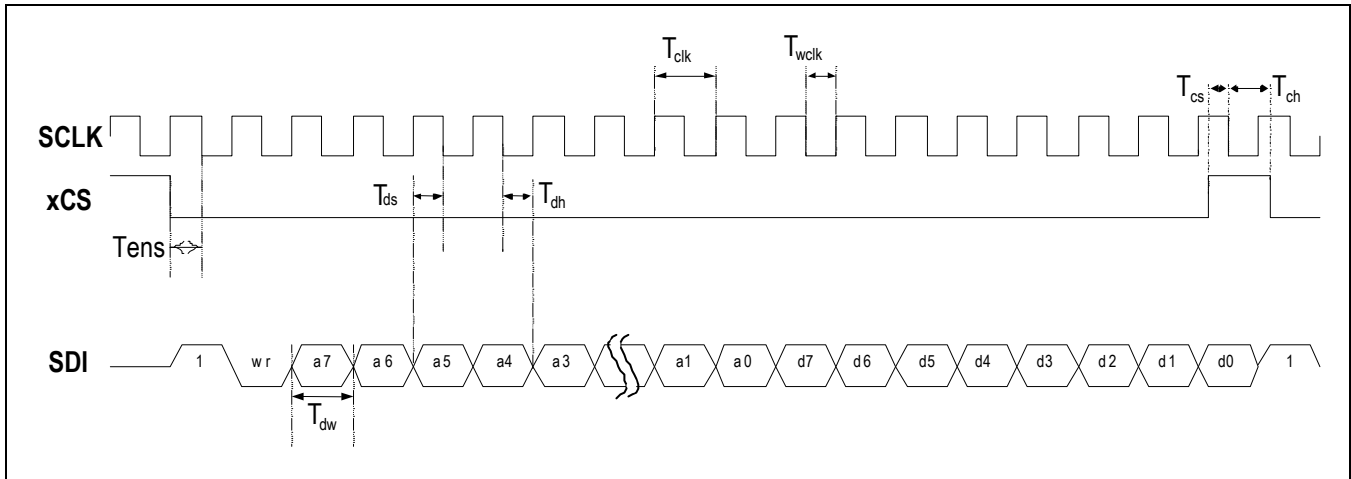
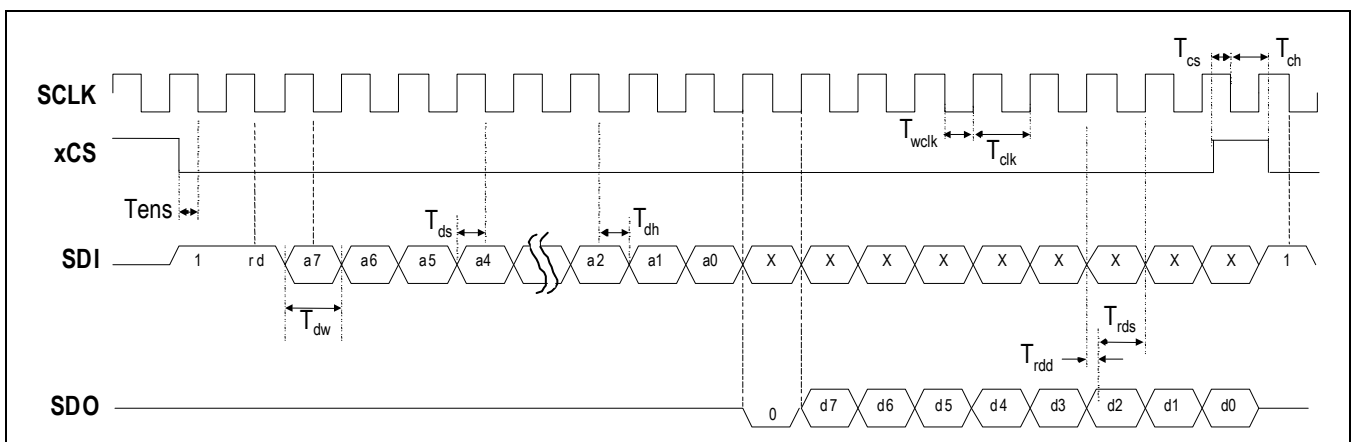


Figure 1-4 illustrates the Serial Read mode in where **xCS** goes low before the falling edge of **SCLK**. On each falling edge of **SCLK**, the 10-bits consisting of SB = 1, OP = 1, and the 8-bit ADDR are written to the serial input shift register and copied to the serial output shift register. On the next rising edge after the address LSB, the SB and 8-bits of the DATA are shifted out. The SB for a Read is always 0.

Figure 1-4. Serial READ Mode



On a Write cycle, any bits that follow the expected number of bits are ignored, and only the first 16-bits following SB and OP are used. On a Read cycle, any extra clock cycles will result in the repeat of the data LSB. An invalid SB or OP renders the operation undefined. The falling edge of **xCS** always resets the serial operation for a new Read or Write cycle.

The timing diagrams for the serial write and read operations are shown in [Figure 1-3](#) and [Figure 1-4](#), respectively. [Table 1-8](#) contains the specifications for the various timing parameters for the serial programming interface.

Table 1-8. Serial Interface Timing—Specified at Recommended Operating Conditions

Symbol	Item	Notes	Minimum	Typical	Maximum	Units
t_{dw}	Data width	—	14	—	—	ns
t_{dh}	Data hold time	—	5	—	—	ns
t_{ds}	Data setup time	—	5	—	—	ns
t_{ens}	Enable setup time	—	5	—	—	ns
t_{cs}	Chip select setup time	—	2	—	Tclk - 2	ns
t_{ch}	Chip select hold time	—	2	—	—	ns
t_{rdd}	Read data output delay	—	1	—	—	ns
t_{rds}	Read data valid	—	9	—	—	ns
t_{clk}	SCLK period width	—	14	—	—	ns
t_{wclk}	SCLK minimum low duration	—	5	—	Tclk - 5	ns
t_r	Output rise time	1	1	—	4	ns
t_f	Output fall time	1	1	—	4	ns

NOTES:

- Edge rate in the high-edge rate mode.
- Designed for max serial speed of 20 MHz read/write.

1.1.10 Two-Wire Serial Interface

The two-wire serial interface is compatible with the I²C standard. The M21262 supports the read/write slave-only mode, 7-bit device address field width, and supports the standard rate of 100 Kbps, fast mode of 400 Kbps, and high-speed mode of 3.4 Mbps. The 7-bit address for the device is determined with **MF** [6:0], which allows for a maximum of 124 unique addresses for this device. The four addresses 000001xx should not be used. SDA (**MF11**) and SCL (**MF10**) can drive a maximum of 500 pF each at the maximum rate. During the write mode from the master to the M21262, data is latched into the internal M21262 registers on the rising edge of SCL, during the acknowledge phase (ACK) of communication. Table 1-9 summarizes the multifunction pins for the two-wire serial interface mode. For further information on timing, please see the I²C bus specification standard.

Table 1-9. Multifunction Pins for Two-Wire Interface

Pin	Function	Description
<i>MF0</i>	Address bit 0	7-bit device address; address bit 0 is LSB, address bit 6 is MSB
<i>MF1</i>	Address bit 1	
<i>MF2</i>	Address bit 2	
<i>MF3</i>	Address bit 3	
<i>MF4</i>	Address bit 4	
<i>MF5</i>	Address bit 5	
<i>MF6</i>	Address bit 6	
<i>MF10</i>	SCL	Clock input
<i>MF11</i>	SDA	Data input/output

1.1.11 JTAG

The M21262 supports JTAG external boundary scan, which includes all of the high-speed I/O, as well as the traditional digital I/O. [Table 1-10](#) shows the multifunction pins signal mapping for JTAG testing.

Table 1-10. Multifunction Pins for JTAG

Pin	Function	Description
<i>MF8</i>	TMS	Test select
<i>MF9</i>	TDI	Test data input
<i>MF10</i>	TCK	Test clock
<i>MF11</i>	TDO	Test data output

1.1.12 Input Deterministic Jitter Attenuators

Each of the four input channels contains an input equalizer to compensate for high-frequency loss. In the hardwired mode, there is the option to set input equalization on or off. In the two-wire serial interface control mode, the default state allows for configurable input equalization settings using *Ineq_ctrl_N* [2:0], for which the default setting of 100b is optimized for trace lengths between 10–46 inches.

The input equalization settings have been optimized for a variety of backplane PCB applications, such as board traces and cables. For board traces on FR4, the input equalizer can drive trace lengths of up to 72" at 1.6 Gbps and up to 60" at 3.1875 Gbps. The equalizer has similar high performance on Nelco-13, Arlon 25, Rogers 3003, 4003C, 4340, GeTek PCB materials, and twinaxial cables. The input equalizer was designed to compensate for the deterministic jitter accumulation effects of typical backplane interconnects, which have bandwidths of hundreds of MHz to a few GHz. The equalizers are not expected to make a significant difference in performance with signal data rates less than 1 Gbps.

Another component of input deterministic jitter is inter-symbol interference (ISI) due to DC offsets. By default, a DC servo-like circuit is enabled to correct for this type of deterministic jitter, and can be disabled by setting

Ineq_ctrl [4] = 0b. The DC servo can also be used to track changes in the common mode, for single-ended operation. When the CDR, DC servo, and AIE are all enabled, the jitter tolerance should be greater than 1 UI.

Figure 1-5. STS-48 waveform after transmission through 76" of PCB traces (input to M21262)

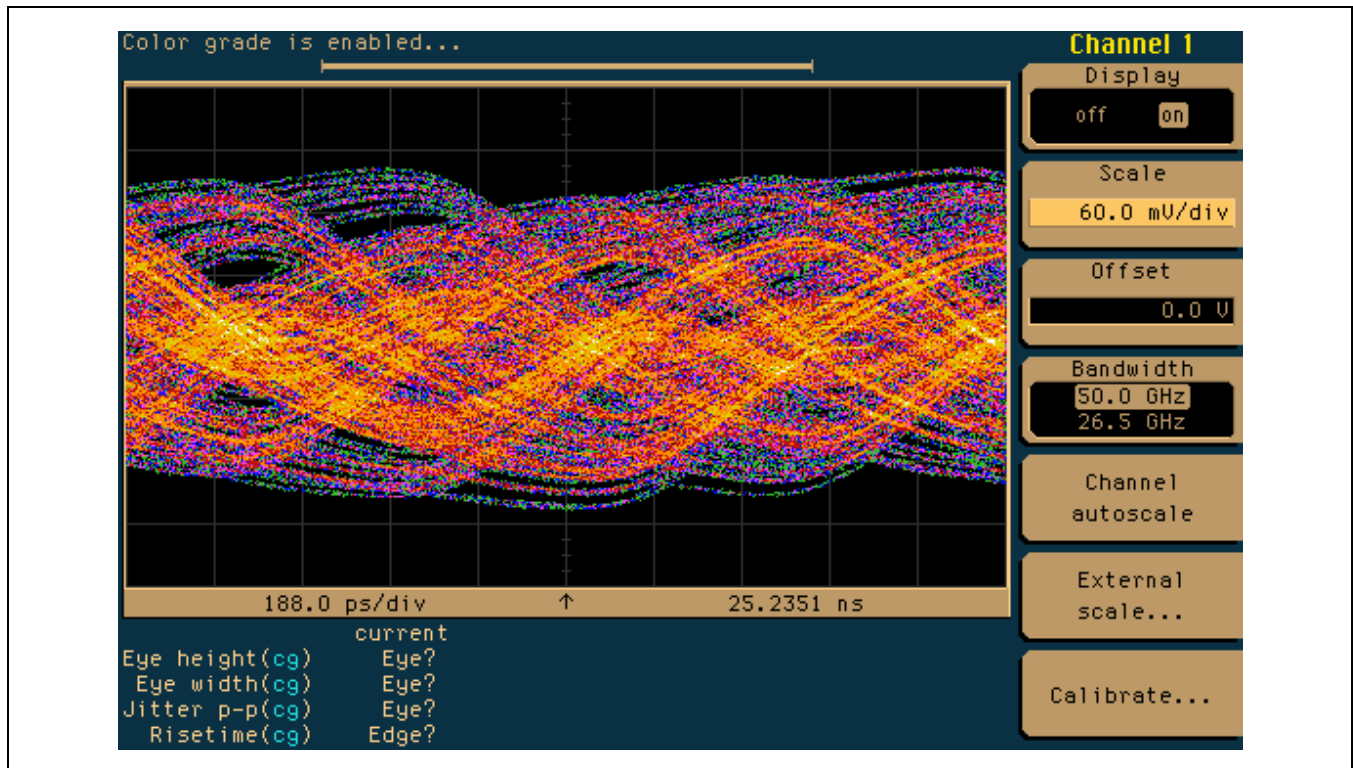
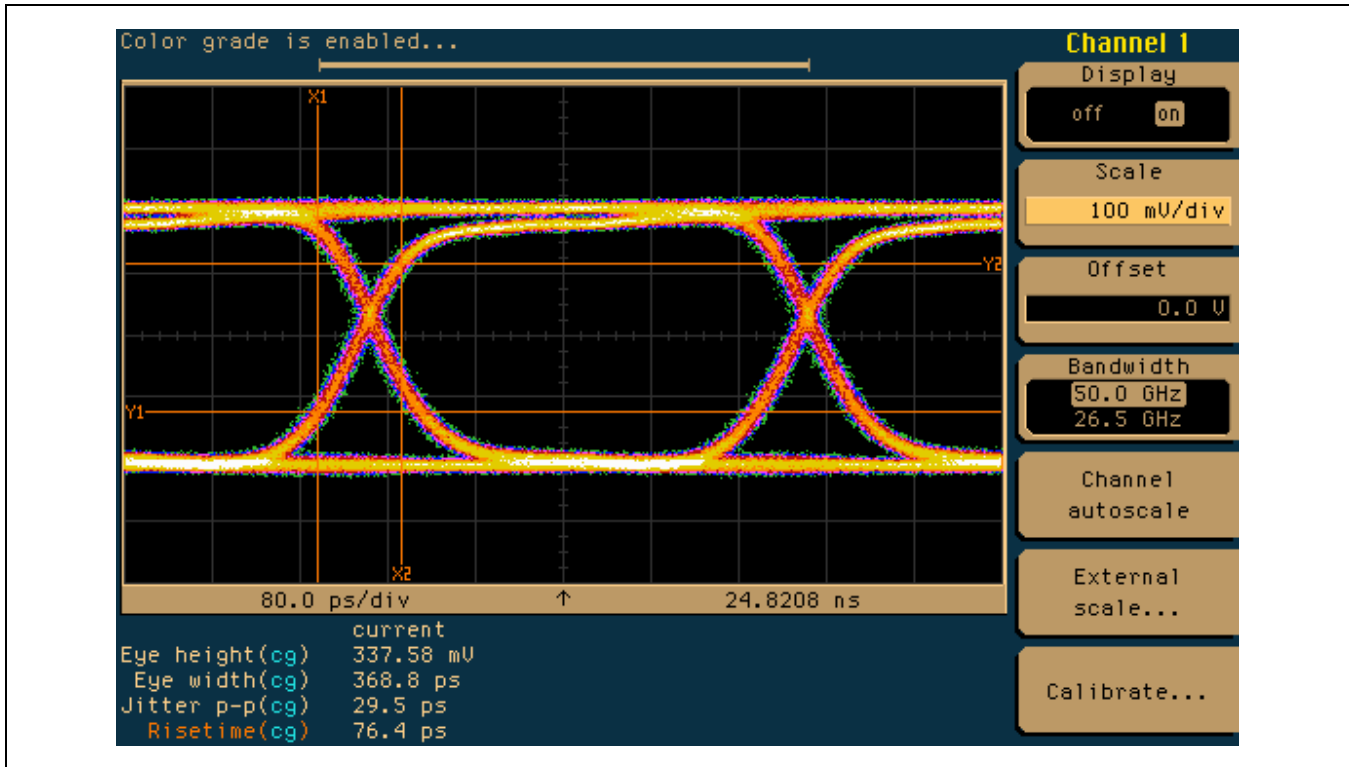


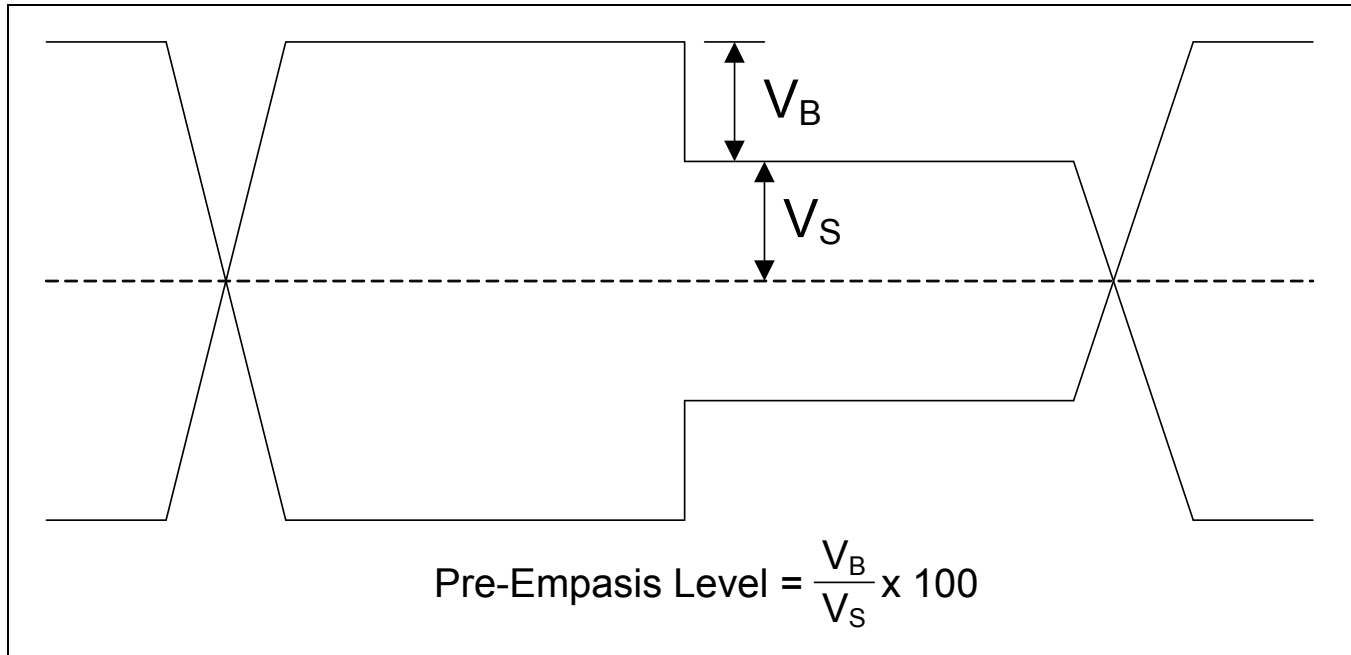
Figure 1-6. STS-48 waveform at M21260 output with input shown in Figure 1-4



1.1.13 Output Pre-Emphasis

The output channel contains an output pre-emphasis circuit that can be used to select the optimal pre-emphasis level. The pre-emphasis settings have been optimized for a variety of backplane PCB applications. For board traces on FR4, the pre-emphasis circuit can drive trace lengths up to 60" at 1.6 Gbps. Like the input equalizer settings, the output pre-emphasis circuit has similar high performance on Nelco-13, Arlon 25, Rogers 3003, 4003C, 4340, GeTek PCB materials, and twinaxial cables. The digital pre-emphasis level is selected, for each output channel, with *Preemp_ctrl* [2:0], and the default value of 000b corresponds to pre-emphasis disabled. The pre-emphasis circuit tracks the signal data rate throughout the multirate range, however, like the input equalizer, it is designed to compensate for the bandwidth limitations of the interconnect, and may not have the desired effects at the low end of the multirate range. When the CDR/RCLK has been disabled or bypassed, analog pre-emphasis must be used in place of digital pre-emphasis. Writing the data value 1b to the register *Preemp_ctrl* [3] enables analog pre-emphasis, whereas writing the data value 0b to the register *Preemp_ctrl* [3] enables digital pre-emphasis. Once analog pre-emphasis has been enabled, the boost level may be chosen with *Preemp_ctrl* [5:4], and the bandwidth may be chosen with *Preemp_ctrl* [6]. The output pre-emphasis function is available for all data interfaces and levels.

Figure 1-7. Definition of Pre-Emphasis Levels



1.1.14 CDR/RCLK Overview

When the CDR/RCLK achieves phase lock onto the incoming data stream, it removes the incoming random jitter above its loop bandwidth. The M21262 output data has extremely low jitter, due to retiming with a very low jitter generation CDR/RCLK. Clock outputs are also provided, but are disabled by default.

Each CDR/RCLK is capable of multirate operation which is achieved by a combination of built in VCO frequency dividers (VCD), Data Rate Dividers (DRD), and a wide VCO tuning range ($F_{\min} = 2.0$ GHz, $F_{\max} = 3.2$ GHz). As a result, the allowed input data range is F_{\min} / DRD_{\max} to F_{\max} / DRD_{\min} . Although the ranges are not continuous, the ranges are deliberately chosen to cover all typical applications.

By default, the loop bandwidth is set to pass 2 x HD-SDI Video and SONET STS-48 specifications, with less than 0.1 dB of bandwidth peaking. Within a given VCO frequency range, the bandwidth will scale proportionately. For example, if the loop bandwidth (LBW) is 1.19 MHz at 1.485 GHz, then at 2.97 GHz the LBW will be 2.38 MHz, and peaking will be less than 0.1 dB. When DRD is not equal to 1, the bandwidth at DRD = 1 scales by the DRD divide ratio. For example, if the LBW is 2.38 MHz at 2 x HD-SDI with DRD = 1, then if DRD = 2 for HD operation, the LBW will be 1.19 MHz. In general, the default bandwidth will meet SMPTE specifications for all bit rates down to 143 MHz. Internal filter components assure that the peaking will not exceed 0.1 dB for all DRDs up to 16. In the hardwired mode, the LBW will be properly set for the hardwired bit rates. In the serial register mode, the default bandwidth scales automatically with the input bit rate, and the bandwidth can be tuned through registers.

The CDR/RCLK requires an external reference clock to be connected to the **RefClkP/N** pins. The CDR/RCLK contains an internal frequency prescaler that allows a single reference to be used for multiple bit rates and thereby ease the burden of having to route and switch multiple frequency references.

Frequency acquisition is accomplished with two key sections. The first section is a secondary phase/frequency lock loop (P/FLL) that drives the VCO towards the desired frequency. The second section is the loss-of-lock circuitry (LOLCir), that turns on or off the secondary P/FLL. In general LOL has register bits (*Alarm_LOL*) which are active high, and pins (*xLOL*[3:0]) which are active low, for wired OR use to be wired OR externally. In the general context, they will be referred to as LOL which is active H. With both methods, frequency acquisition takes place when the LOLCir determines an out of lock condition (LOL = H) for each CDR/RCLK, when the VCO frequency exceeds a given range (window). LOLCir enables the secondary P/FLL to drive the VCO close to the desired frequency (the input data bit rate). When the VCO falls within a given frequency range where the CDR/RCLK loop can acquire phase lock, LOLCir turns off the secondary P/FLL and sets LOL = L, allowing the CDR/RCLK to achieve phase lock. During this time, LOLCir continues to monitor the frequency difference and will signal a LOL = H to start the acquisition routine again; if the frequency falls out of range. The LOLCir range is fixed in hardwired mode, and programmable in 2-wire or 4-wire serial interface mode. In general, the frequency threshold (window) for LOL = H-to-L and LOL = L-to-H are different to prevent LOL from toggling when the frequency is near one of the windows. These registers also control the frequency acquisition time. Suggested values are given in this document for general robust operation, and are used as register defaults, however, the programmability of the registers allow for optimization based on a given application (e.g. faster lock times).

1.1.15 General CDR/RCLK Features

The CDR/RCLK is reset upon *xRST* = L, *Mastreset* = AAh, or upon power up. A soft reset through *RCLK_ctrlA* [3] = 1b resets the CDR/RCLK state machine, and presets the CDR/RCLK to an out-of-lock condition, however, the register contents that are related to CDR/RCLK setup are unchanged. It is required to force a soft reset if the bit rate is dynamically changed. The soft reset register bit needs to be cleared for proper operation. In general, a reset during operation will cause bit errors, until the CDR/RCLK achieves phase lock.

By default, the CDR/RCLK is active and powered up for normal operation. By setting *RCLK_ctrlB* [7:6] = 11b, the CDR/RCLK can be bypassed and powered down, to allow for nonstandard bit rates, or to save power when the CDR/RCLK is not required at lower bit rates. When *RCLK_ctrlB* [7:6] = 01b, the CDR/RCLK is bypassed so the output data is not retimed but active (VCO locked to the input data). In the last mode with *RCLK_ctrlB* [7:6] = 10b, the CDR/RCLK is powered down, and all signals along the input and output paths are also powered down, to save power. In this case, the input data does not reach the output.

To prevent the propagation of noise in the case where there is a LOL condition, the CDR/RCLK contains an auto-inhibit feature, which is enabled by default. When LOL is active, the output of the CDR/RCLK is fixed at a logic high state (*DoutP* = H, *DoutN* = L). This feature can be disabled by setting *RCLK_ctrlA* [3] = 0b, which allows *RCLK_ctrlA* [5] to either force an inhibit (1b) or to never inhibit (0b).

In some applications, the optimal data sampling point is not in the middle of the data eye. By default, the CDR/RCLK achieves phase lock very near the center of the eye. For optimal performance (jitter tolerance), the actual sampling point can be adjusted with *Phadj_ctrl* [3:0]. The adjustment range is from -122.5 mUI to +122.5 mUI with 17.5 mUI steps.

1.1.16 Multirate CDR Data Rate Selection

For multirate operation, the first step is to determine the desired data rate range. The input data range must be bracketed by $DF_{\min} = F_{vco, \min} / DRD_{\max}$ to $DF_{\max} = F_{vco, \max} / DRD_{\min}$. $DF_{\max/\min}$ are the maximum/minimum input data rate frequencies, $DRD_{\max/\min}$ are the maximum/minimum data rate divider settings using *CDR_ctrlB* [3:0], and $F_{vco, \min}/F_{vco, \max}$ are the minimum/maximum VCO frequencies, which are 2.0 GHz and 3.2 GHz respectively. The valid data rates are shown in [Table 1-11](#).

Table 1-11. Valid Input Data Ranges

Parameter	DF _{min}	DF _{max}	Units
Data rate divider (DRD = 1): <i>CDR_ctrlB</i> [3:0] = 0000b	2.0	3.2	GHz
Data rate divider (DRD = 2): <i>CDR_ctrlB</i> [3:0] = 0001b	1.0	1.6	GHz
Data rate divider (DRD = 4): <i>CDR_ctrlB</i> [3:0] = 0010b	500	800	MHz
Data rate divider (DRD = 8): <i>CDR_ctrlB</i> [3:0] = 0011b	250	400	MHz
Data rate divider (DRD = 12): <i>CDR_ctrlB</i> [3:0] = 0100b	166.7	266.66	MHz
Data rate divider (DRD = 16): <i>CDR_ctrlB</i> [3:0] = 0101b	125	200	MHz
Data rate divider (DRD = 24): <i>CDR_ctrlB</i> [3:0] = 0110b	83.33	133.33	MHz
Data rate divider (DRD = 32): <i>CDR_ctrlB</i> [3:0] = 0111b	62.5	100	MHz
Data rate divider (DRD = 48): <i>CDR_ctrlB</i> [3:0] = 1000b	42	66.66	MHz

It is important to note the difference between the VCO frequency (F_{VCO}), and the data rate frequency (DF). F_{VCO} is always between 2 GHz to 3.2 GHz, while DF is the divided down F_{VCO} that matches the input data rate.

1.1.17 Frequency Acquisition

Frequency acquisition is enabled by the LOLCir when LOL = H (*Alarm_LOL* = H or **xLOL** = L). A secondary FLL attempts to lock the VCO to a frequency derived from the external reference. When the frequency is close to the desired frequency, LOLCir sets LOL = L and disables the secondary FLL, thus, the main CDR/RCLK PLL is free to phase lock to the incoming data. Although the main CDR/RCLK PLL can achieve frequency lock, the VCO frequency tuning range typically exceeds the CDR/RCLK PLL inherent acquisition range. This implies that the FLL needs to get the VCO within the CDR/RCLK PLL range. The loss of lock circuitry (LOLCir) is used to determine when the secondary FLL is active. The LOLCir consists of window detectors that constantly compare a scaled VCO frequency, to a frequency related to the external reference. When LOL = H the loop is out of lock, the FLL is activated until the frequency difference is within the narrow reference window (NRW). When LOL = L, the FLL is not engaged until the frequency exceeds the wide reference window (WRW). If a signal is not present, the FLL circuit will drive the VCO frequency to the NRW and turn off. Without data present, the VCO would then drift until the frequency difference exceeds the WRW, and repeat this cycle. To prevent this, by default, the FLL is activated with LOL = H and de-activated with LOL = L.

Figure 1-8. Block Diagram of Frequency Acquisition Circuits

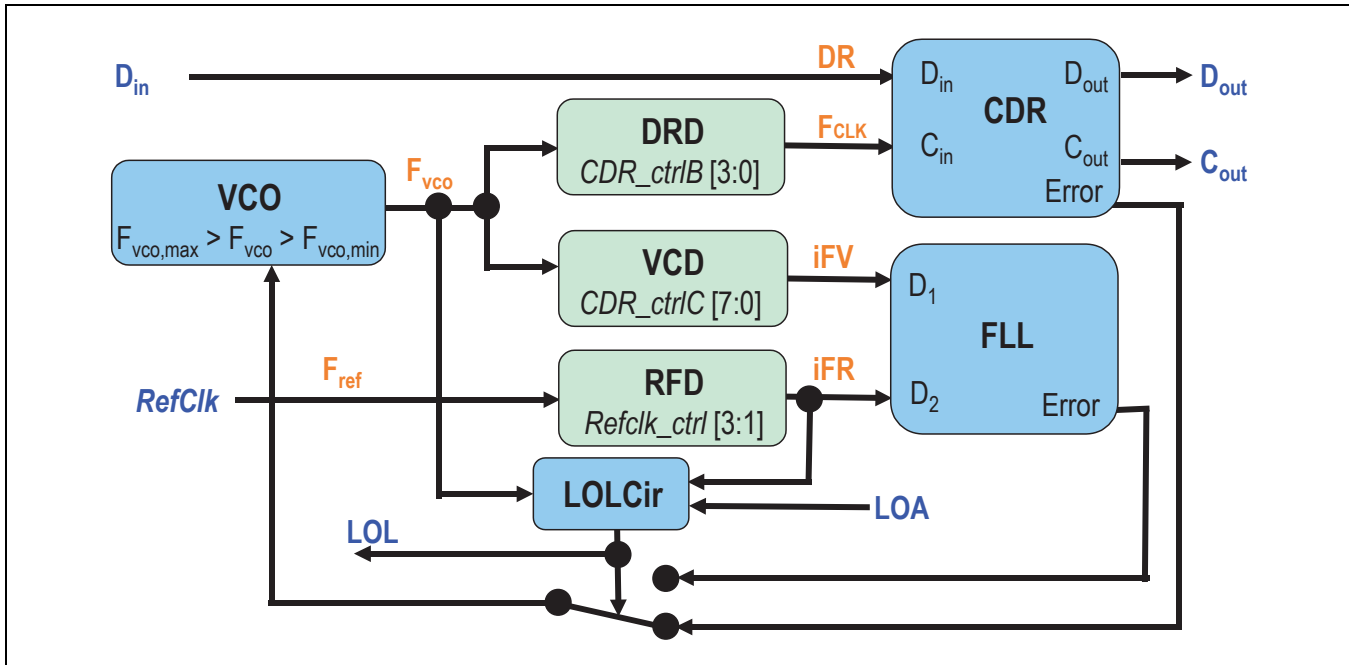


Figure 1-8 shows a block diagram of the frequency acquisition circuits. The secondary FLL compares a scaled version of the internal VCO frequency (iFV) with a scaled version of the reference clock frequency (iFR); iFR and iFV are limited to between 10 MHz and 25 MHz. The external reference clock frequency (F_{ref}) is applied to the **RefClk** [P/N] terminals. This reference frequency is scaled to the iFR by the reference frequency divider (RFD) [*Refclk_ctrl* [3:1]], which allows for an external reference clock in the range of 10 MHz to 800 MHz. The RFD level is a globally set value that applies to all CDR/RCLKs. Table 1-12 gives the divider ratio, along with the minimum and maximum F_{ref} values.

Table 1-12. Reference Clock Frequency Ranges

RFD Value	Minimum F_{ref} (MHz)	Maximum F_{ref} (MHz)
RFD (<i>Refclk_ctrl</i> [3:1] = 000b): divide by 1	10	25
RFD (<i>Refclk_ctrl</i> [3:1] = 001b): divide by 2	20	50
RFD (<i>Refclk_ctrl</i> [3:1] = 010b): divide by 4	40	100
RFD (<i>Refclk_ctrl</i> [3:1] = 011b): divide by 8	80	200
RFD (<i>Refclk_ctrl</i> [3:1] = 100b): divide by 12	120	300
RFD (<i>Refclk_ctrl</i> [3:1] = 101b): divide by 16	160	400
RFD (<i>Refclk_ctrl</i> [3:1] = 110b): divide by 32	320	800

The VCO frequency is scaled to the iFV by the VCO comparison divider (VCD) [*RCLK_ctrlC_N* [7:0]]. Table 1-13 provides DRD, RFD, and VCD values for common applications. For applications that only deal with SONET/SDH data rates, a 19.44 MHz reference clock frequency must be used. For applications where a combination of

SONET/SDH and other data rates are used, a 25 MHz reference clock frequency must be used. If either of these reference clock frequencies is not available, please contact MACOM Technologies Applications Engineering for other options.

Table 1-13. DRD/RFD/VCD Settings for Different Data Rates and Reference Frequencies (1 of 2)

Application	DR (Mbps)	Fref (MHz)	DRD	RFD	VCD	Notes
10GE - XAUI	3125	156.25	1	8	160	—
10GE - XAUI	3125	25	1	2	250	—
10GFC - XAUI	3187.5	159.375	1	8	160	—
10GFC - XAUI	3187.5	25	1	2	255	1
STS-48+FEC	2666.06	19.44	1	1	137	1
STS-48 + FEC	2666.06	25	1	2	213	1
STS-48	2488.32	155.52	1	8	128	—
STS-48	2488.32	19.44	1	1	128	—
STS-48	2488.32	25	1	2	199	1
2GFC	2125	106.25	1	8	160	—
2GFC	2125	25	1	2	170	—
GE	1250	125	2	8	160	—
GE	1250	25	2	2	200	—
FC	1062.5	106.25	2	8	160	—
FC	1062.5	25	2	2	170	1
STS-12	622.08	19.44	4	1	128	—
STS-12	622.08	25	4	2	199	1
FC	531	25	4	2	170	1
FC	266	25	12	2	255	1
ESCON	200	10	12	1	240	—
ESCON	200	25	12	2	192	—
STS-3	155.52	19.44	16	1	128	—
STS-3	155.52	25	16	2	199	1
FC	133	25	24	2	255	1
FE	125	12.5	16	1	160	—
FE	125	25	24	2	240	—
STS-1	51.84	25	48	2	199	1

Table 1-13. DRD/RFD/VCD Settings for Different Data Rates and Reference Frequencies (2 of 2)

Application	DR (Mbps)	Fref (MHz)	DRD	RFD	VCD	Notes
STS-1	51.84	19.44	48	1	128	1
DS3	44.736	25	48	2	172	1

NOTES:

1. Set $LOL_ctrl_N[0] = 1b$, all other bits at default values.

The FLL drives the iFV to iFR, and it is the primary function of the LOLCir to determine when to turn off the FLL, so the CDR/RCLK can achieve phase lock. The LOLCir uses the frequency difference between iFV and iFR to switch LOL, which turns on and off the secondary FLL. The thresholds where LOL makes a transition are defined as windows. These windows are fixed in the hardwired mode, and programmable in the two-wire interface mode. To prevent LOL from toggling at the thresholds, two windows are used for hysteresis. When LOL = L and the frequency difference exceeds the larger window (WRW), LOL L-to-H occurs to signal an out of lock case. When LOL = H (and LOA = L), the frequency difference is brought within the narrow reference window (NRW), after which LOL makes a H-to-L transition signaling in-lock. If LOA = H when LOL = L, the FLL remains on to keep the VCO locked to the reference, until a signal is present. N_{acq} is defined with $LOL_ctrl [7:5]$, N_{narrow} is defined with $LOL_ctrl [4:1]$, and N_{wide} is defined with $LOL_ctrl [0]$. The LOLCir averages a large number of transitions before making a LOL decision. This averaging time is referred to as the LOL decision time or DT_{LOL} .

Table 1-14 shows various window sizes for different applications, including the default value in both the hardwired and two-wire serial interface modes.

Table 1-14. LOL Window Size and Decision Time Examples

Condition	N_{acq}	N_{narrow}	N_{wide}	Narrow Window (ppm)	Wide Window (ppm)	Decision Time (μs)
Hardwired mode default	101b	0100b	0b	± 1955	± 2930	420
Two-wire serial interface mode default	101b	0100b	0b	± 1955	± 2930	420
iFV = iFR	111b	0010b	1b	± 245	± 975	1685
Fast lock	010b	0001b	0b	± 5860	± 7800	56

NOTES:

1. Decision time is calculated with iFR = 19.44 MHz; will scale proportionally with iFR range from 10 to 25 MHz.
2. Above are examples showing ability to tailor windows for data rates, reference frequencies, and acquisition times.

1.1.18 CDR/Reclocker Data Rate Programming (HD/SD-SDI data rates only)

If the automatic rate detection (ARD) algorithm developed by MACOM is used, it is not necessary for the user to manually program the registers of the reclockers to configure the reclockers for operation at a specific data rate. In applications where the ARD is not implemented and the device is used with software control, there are a few parameters that must be configured for the reclocker to correctly lock to the input data. The parameters that need to be programmed are the data rate divider (DRD) and the VCO frequency divider (VCD). The DRD is programmed

using bits [3:0] of register address 41h. The VCD is programmed using bits [7:0] of register address 42h. The following table shows the recommended values of DRD and VCD for standard video data rates.

Table 1-15. Recommended Values of DRD and VCD for Standard Video Data Rates

Data Rate (Mbps)	DRD Value	VCD Value	Fref (MHz)
143	05h	BFh	12
177	04h	B1h	12
270	03h	B4h	12
360	03h	F0h	12
540	02h	B4h	12
1483.5/1485	01h	F7h	12
2967/2970	00h	F7h	12

1.1.19 Ambient Temperature Range Limitations

Table 1-16 summarizes the supported ambient temperature range as a function of data rate, and indicates when it is required to center the VCO.

Table 1-16. Supported Ambient Temperature Range by Data Rate

F _{VCO} (GHz)	DR (Gbps)	T _a (°C)	VCO Centering Requirement
2.0–2.666	2.0/DRD–2.666/DRD	-40–85	N
2.7–2.97	2.7/DRD–2.97/DRD	0–70	N
2.7–2.97	2.7/DRD–2.97/DRD	-40–85	Y
3.0–3.2	3.0/DRD–3.2/DRD	0–70	Y

F_{VCO} is the VCO frequency, which always lies in the range 2.0–3.2 GHz. DR is the data rate of the input signal, and DRD is the data rate divider (1, 2, 4, 8, 12, 16, 24, 32, 48) set with *rclk_ctrlB_N*[3:0]. T_a is the ambient temperature supported, which decreases for F_{VCO} > 2.666 GHz. As an example, if the data rate is 800 Mbps DRD should be set to 4; to lock to this signal the VCO needs to operate at 3.2 GHz. Under these conditions the ambient temperature range supported is 0°C–70°C, and it is necessary to center the VCO in each of the four lanes.

The VCO tuning range is roughly the same bandwidth as the variation in VCO center frequency between the extremes of the operating temperature range. This issue can be resolved by centering the VCO frequency during the in-circuit testing (ICT) phase prior to shipment of the customer systems.

NOTE: The CDR/RCLK must be powered up and configured at 25°C–40°C ambient temperature during ICT.

1. Power up the device and configure the registers via the serial interface with the appropriate settings for the application of interest.
2. Read and store the VCO trim code from register MBh[4:0].
3. Every time the device is powered up, this trim code must be forced by setting M0h[0] = 0b then writing the code to MAh[4:0]. This can be done during the same write cycle as when the other registers are configured.

It should be noted that it is not possible to center the VCO in the hardwired mode, it is necessary to program the CDR/RCLK using the serial interface.

1.1.20 Loss of Activity

By default, the LOA detector is enabled and can be disabled by setting *CDR_ctrlA_N* [1] = 0b, where N is the channel number. Loss of activity measures the transition density of data to determine if the data is valid. With PRBS data, the transition density is typically 50%, averaged over long periods. During small time intervals, data transition density variations are due to data content, packet headers, stress patterns, etc. In some applications, when data is not present, noise produces rail-to-rail transitions that cause problems with level based detectors. These applications include cascaded reclockers, high-gain crosspoints, and other devices. The data transition density based LOA detector can separate data from random noise, determine false lock at the wrong integer and non-integer data rate, signal stuck high/low conditions, and determine false lock to retimed noise. Unlike level based detectors, it cannot determine false lock with low amplitude data.

1.1.21 Built-In Self Test (BIST) Overview

The M21262 contains a BIST test pattern generator as well as a test pattern receiver. Both the BIST transmitter (BIST Tx), and BIST receiver (BIST Rx) are designed to operate with fixed patterns. For PRBS evaluation, the PRBS 2^7-1 , $2^{15}-1$, $2^{23}-1$, and $2^{31}-1$ test patterns are provided. For 8b/10b testing, the fibre channel CRPAT and CJTPAT standard patterns are supported. In addition, an 8b/10b countdown pattern is also provided; this is the 8b/10b representation of a binary count from 255 to 0, while maintaining 8b/10b running disparity requirements. User programmable 16 bit (PRBS) and 20 bit (8b/10b) patterns are also provided; they are typically used to generate short patterns for debug, such as 1100b, as well as 8b/10b idle or control characters. The BIST is designed to reduce system development time, as well as product test costs, and can be used by both the equipment provider as well as the equipment end user.

When enabled, the BIST Rx allows one input from the M21262 to enter the BIST receiver. The desired channel to monitor is selected through a control register. The BIST Rx uses the recovered clock and data from the selected CDR/RCLK to drive the pattern checker. Every time a bit error is received, the error register is incremented. The maximum number of errors is FFh, and all subsequent errors will not be counted. At any time, the error register can be cleared. By keeping track of the time between a clear and a read, a rough BER number can be obtained.

When enabled, the BIST Tx can output a test pattern to the M21262 output (the BIST Tx and Rx can be used at the same time). The BIST Tx contains an internal clock multiplier (PLL), that can take its input from either the external reference frequency, or from the same CDR/RCLK that is driving the BIST Rx (only in full-rate mode, DRD = 1).

1.1.22 BIST Test Patterns

The test pattern is selected with *BISTtx_ctrl* [5:2] for the transmitter, and *BISTrx_ctrl* [5:2] for the receiver.

The PRBS patterns generated by the unit are ITU-T 0.151 compliant, and summarized in the table below.

Table 1-17. BIST PRBS Patterns

<i>BISTtx_ctrl</i> [5:2] / <i>BISTrx_ctrl</i> [5:2]	Pattern	Polynomial
0000b	PRBS 2^7-1	2^7+2^6+1
0001b	PRBS $2^{15}-1$	$2^{15}+2^{14}+1$
0010b	PRBS $2^{23}-1$	$2^{23}+2^{18}+1$
0011b	PRBS $2^{31}-1$	$2^{31}+2^{28}+1$

For 8b/10b data, three patterns are available. The CJTPAT and CRPAT comply with the Fibre Channel T11.2/Project 1230/Rev10 specifications.

Table 1-18. BIST 8b/10b Patterns

<i>BISTtx_ctrl</i> [5:2] / <i>BISTrx_ctrl</i> [5:2]	Pattern
0100b	CJTPAT
0101b	CRPAT
0110b	Countdown

Two user programmable patterns that are 16 bits long (*BISTtx_ctrl* [5:2] = *BISTrx_ctrl* [5:2] = 0111b) and 20 bits long (*BISTtx_ctrl* [5:2] = *BISTrx_ctrl* [5:2] = 1000b) are determined with *BIST_pattern0*, *BIST_pattern1*, *BIST_pattern2*. Note that the contents of these registers is used by both the BIST Tx and the BIST Rx, if they are setup in this mode.

1.1.23 BIST Receiver (BIST Rx) Operation

The BIST Rx is enabled and powered up by setting *BISTrx_ctrl* [1] = 1b (off by default), resetting the BIST Rx block with *BISTrx_ctrl* [0] = 1b (default), and selecting a pattern with *BISTrx_ctrl* [5:2]. The signal to the BIST Rx is routed from the input of the device, and the BIST Rx can only check one channel at a time. The desired channel to monitor is selected with *BISTrx_chsel* [2:0]. The BIST Rx uses the recovered clock from the CDR/RCLK to drive the BIST state machine, thus the CDR/RCLK must be enabled and locked to data for proper operation. When the data is valid, *BISTrx_ctrl* [6] = 1b is used to clear the error register, and all subsequent errors can be read back through *BISTrx_error*. The BIST Rx automatically synchronizes the input data with the pattern.

1.1.24 BIST Transmitter (BIST Tx) Operation

The BIST Tx is enabled and powered up by setting *BISTtx_ctrl* [1] = 1b (off by default), resetting the BIST Tx block with *BISTtx_ctrl* [0] = 1b (default), and selecting a pattern with *BISTtx_ctrl* [5:2]. The high-speed clock of the BIST Tx is generated from its own frequency multiplier PLL, that uses a selectable frequency reference determined by *BISTtx_ctrl* [6]. With *BISTtx_ctrl* [6] = 0b (default), the external reference clock is used and typically gives the lowest jitter output. With *BISTtx_ctrl* [6] = 1b the reference clock is derived from the same CDR/RCLK used to drive the BIST Rx (this feature only works with DRD = 1 for that CDR/RCLK). In this mode, the BIST Tx output is synchronous with the CDR/RCLK used in the BIST Rx, however, it contains the low-frequency jitter from the input data. In either case, the BIST Tx PLL needs to be configured for the proper data rate. When the PLL is properly

configured and locked to the reference, the LOL flag should be low (*BISTtx_alarm* [7]). A bit error can be intentionally inserted into the BIST Tx output, by providing a 0b, 1b, 0b sequence to *BISTtx_ctrl* [7].

The BIST Tx PLL setup is similar to the CDR/RCLK setup, thus, the description of similar registers for the CDR/RCLK also applies and will not be repeated here. The desired output data rate is set with the DRD register (*BISTtx_PLL_ctrlB* [3:0]) and with the VCD register (*BISTtx_PLL_ctrlC* [7:0]). The input reference frequency iFR is the same as for the main CDR/RCLKs, since the same external reference and reference dividers are used. In the internal CDR/RCLK case, iFR is $F_{VCO, rxRCLK}/128$, where $F_{VCO, rxRCLK}$ is the VCO frequency of the CDR/RCLK selected by *BISTrx_chsel* [2:0]. Unlike the CDR/RCLK, the Tx PLL always makes iFR equal to iFV, and *BISTtx_alarm* [7] is used to determine if the Tx PLL is in lock. Like the CDR/RCLKs, if the output data rate of the BIST Tx needs to be changed, the BIST Tx requires a soft reset.

1.1.25 Junction Temperature Monitor

An internal junction temperature monitor with a range of -40°C to 130°C is integrated into the M21260. On the low end, the temperature monitor (Tmon) is set to measure -40°C to 10°C in six 10°C steps, and on the high end, 80°C to 130°C in six 10°C steps. The typical temperature resolution is 3°C. The temperature monitor is enabled with *Temp_mon* [1] = 1b. When enabled, the temperature measurement cycle is achieved by providing a rising edge for *Temp_mon* [0]. Afterwards, the correct temperature can be read from *Temp_value* [3:0]. Table 1-19 shows the mapping of the temperature to *Temp_value* [3:0]. Enabling and strobing the temperature in the same write cycle will not yield reliable results.

Table 1-19. Junction Temperature Monitor

Junction Temperature	<i>Temp_value</i> [3:0]	Condition
$T_c \geq 130^\circ\text{C}$	1100b	High-alarm
$130^\circ\text{C} > T_c \geq 120^\circ\text{C}$	1011b	High-alarm
$120^\circ\text{C} > T_c \geq 110^\circ\text{C}$	1010b	High-warning
$110^\circ\text{C} > T_c \geq 100^\circ\text{C}$	1001b	Normal
$100^\circ\text{C} > T_c \geq 90^\circ\text{C}$	1000b	Normal
$90^\circ\text{C} > T_c \geq 80^\circ\text{C}$	0111b	Normal
$80^\circ\text{C} > T_c \geq 10^\circ\text{C}$	0110b	Normal
$10^\circ\text{C} > T_c \geq 0^\circ\text{C}$	0101b	Normal
$0^\circ\text{C} > T_c \geq -10^\circ\text{C}$	0100b	Normal
$-10^\circ\text{C} > T_c \geq -20^\circ\text{C}$	0011b	Normal
$-20^\circ\text{C} > T_c \geq -30^\circ\text{C}$	0010b	Warning
$-30^\circ\text{C} > T_c \geq -40^\circ\text{C}$	0001b	Low-alarm
$-40^\circ\text{C} > T_c$	0000b	Low-alarm

1.1.26 IC Identification / Revision Code

The IC identification can be read back from *Chipcode*, and the revision of the device can be read back from *Revcode*.

1.2 Pin Definitions

Table 1-20. Power Pins

Pin Number	Pin Name	Function	Type
Exposed pad	Vss	IC ground	Power
1, 31, 54, 63, 64	AVdd_I/O	Analog I/O positive supply	Power
21, 27, 28, 34, 57, 60, 67, 70	AVdd_Core	Analog core positive supply	Power
10	DVdd_I/O	Digital I/O positive supply	Power
11, 22, 33	DVdd_Core	Digital core positive supply	Power

NOTES:

- If internal regulator is enabled, connect all of the **AVdd_Core** and/or **DVdd_Core** pins together to a common floating plane and bypass to **Vss**.
- If internal regulator is NOT enabled, it is recommended that all **AVdd_Core** pins be tied to a plane at 1.2V, that is bypassed to ground. **DVdd_Core** can be tied to this plane or separately decoupled.
- IC ground (**Vss**) is established by contact with exposed pad on underside of package; there are no **Vss** pins.

Table 1-21. High-Speed Signal Pins

Pin Number	Pin Name	Function	Termination	Type
19	Din0P	Serial positive data input for channel 0	50Ω pull up to VddT0/1	PCML referenced to Avdd_Core
20	Din0N	Serial negative data input for channel 0	50Ω pull up to VddT0/1	PCML referenced to Avdd_Core
25	Din1P	Serial positive data input for channel 1	50Ω pull up to VddT0/1	PCML referenced to Avdd_Core
26	Din1N	Serial negative data input for channel 1	50Ω pull up to VddT0/1	PCML referenced to Avdd_Core
29	Din2P	Serial positive data input for channel 2	50Ω pull up to VddT2/3	PCML referenced to Avdd_Core
30	Din2N	Serial negative data input for channel 2	50Ω pull up to VddT2/3	PCML referenced to Avdd_Core
35	Din3P	Serial positive data input for channel 3	50Ω pull up to VddT2/3	PCML referenced to Avdd_Core
36	Din3N	Serial negative data input for channel 3	50Ω pull up to VddT2/3	PCML referenced to Avdd_Core
23	VddT0/1	Termination pin for Din [1:0]	Terminate to AVdd_Core	Termination
32	VddT2/3	Termination pin for Din [3:2]	Terminate to AVdd_Core	Termination
72	DoutP	Serial positive data output	50Ω pull up to AVdd_I/O	O—CML/LVDS
71	DoutN	Serial negative data output	50Ω pull up to AVdd_I/O	O—CML/LVDS

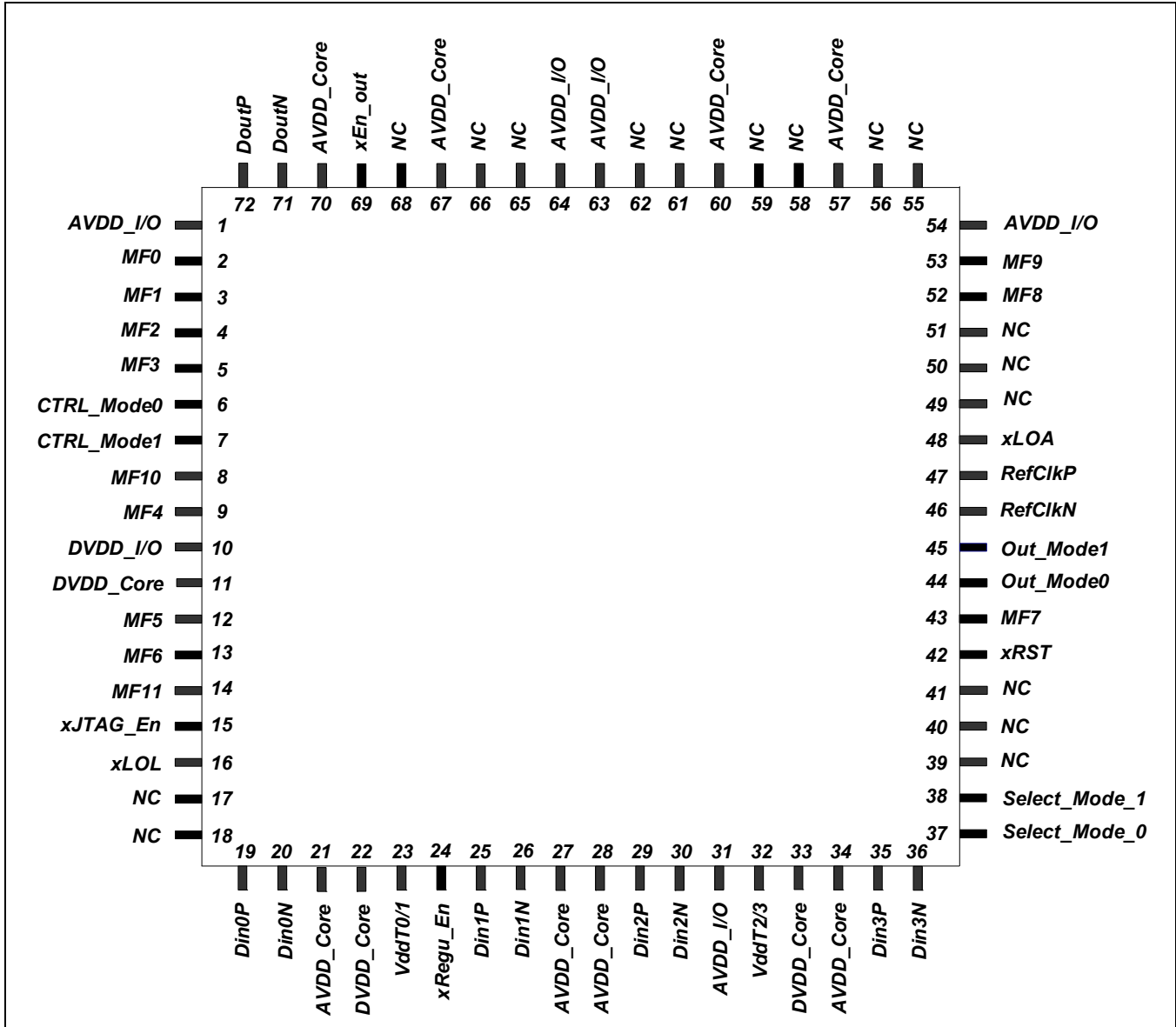
Table 1-22. Control, Interface, and Alarm Pins (1 of 2)

Pin Number	Pin Name	Function	Default	Type
2	MF0	Multifunction pin for hardwired mode, and serial interface	Internal pull up	I—CMOS
3	MF1	Multifunction pin for hardwired mode, and serial interface	Internal pull up	I—CMOS
4	MF2	Multifunction pin for hardwired mode, and serial interface	Internal pull up	I—CMOS

Table 1-22. Control, Interface, and Alarm Pins (2 of 2)

Pin Number	Pin Name	Function	Default	Type
5	MF3	Multifunction pin for hardwired mode, and serial interface	Internal pull up	I—CMOS
9	MF4	Multifunction pin for hardwired mode, and serial interface	Internal pull up	I—CMOS
12	MF5	Multifunction pin for hardwired mode, and serial interface	Internal pull up	I—CMOS
13	MF6	Multifunction pin for hardwired mode, and serial interface	Internal pull up	I—CMOS
43	MF7	Multifunction pin for hardwired mode	Internal pull up	I—CMOS
52	MF8	Multifunction pin for hardwired mode, and JTAG	Internal pull up	I—CMOS
53	MF9	Multifunction pin for hardwired mode, and JTAG	Internal pull up	I—CMOS
8	MF10	Multifunction pin for hardwired mode, serial interface, and JTAG	Internal pull up	I—CMOS
14	MF11	Multifunction pin for hardwired mode, serial interface, and JTAG	Internal pull up	I—CMOS
6	CTRL_Mode0	Hardwired or serial interface mode control pin	Internal pull up	I—CMOS
7	CTRL_Mode1	Hardwired or serial interface mode control pin	Internal pull up	I—CMOS
44	Out_Mode0	Output data interface control pin	Internal pull down	I—CMOS
45	Out_Mode1	Output data interface control pin	Internal pull down	I—CMOS
42	xRST	Reset pin (L = reset)	Internal pull up	I—CMOS
15	xJTAG_En	JTAG testing control pin (L = enable)	Internal pull up	I—CMOS
24	xRegu_En	Internal voltage regulator control pin (L = enable)	Internal pull down	I—CMOS
47	RefClkP	Reference clock positive input	Internal pull down	I—AC coupled
46	RefClkN	Reference clock negative input	Internal pull down	I—AC coupled
37	Select_Mode_0	Selector configuration pin	Internal pull down	I—CMOS
38	Select_Mode_1	Selector configuration pin	Internal pull down	I—CMOS
69	xEn_Port0	Control pin to enable/disable output for (L = enable)	Internal pull up	I—CMOS
16	xLOL	CDR/RCLK loss of lock alarm	No internal pull up or pull down	O—Open Drain
48	xLOA	CDR/RCLK loss of activity alarm	No internal pull up or pull down	O—Open Drain

Figure 1-9. M21262 Pinout Diagram (Top View)



2.0 Product Specifications

2.1 Absolute Maximum Ratings

These are the absolute maximum ratings at or beyond which the device can be expected to fail or be damaged. Reliable operation at these extremes for any length of time is not implied.

Table 2-1. Absolute Maximum Ratings

Symbol	Parameter	Notes	Minimum	Typical	Maximum	Units
<i>DVdd_I/O</i>	Digital I/O power	—	0	1.8/2.5/3.3	3.6	V
<i>AVdd_I/O</i>	Analog I/O power	—	0	1.8/2.5/3.3	3.6	V
<i>AVdd_Core</i>	Analog core power	2	0	1.2	1.5	V
<i>DVdd_Core</i>	Digital core power	2	0	1.2	1.5	V
—	High-speed signal pins	1, 4	$V_{SS} - 0.5$	—	$AV_{DD} - I/O + 0.5$	—
—	Control, interface, and alarm pins	1, 5	$V_{SS} - 0.5$	—	$AV_{DD} - I/O + 0.5$	—
T_{st}	Storage temperature	—	-65	—	+150	°C
ESD	Human body model (low-speed)	—	2000	—	—	V
ESD	Human body model (high-speed)	—	350	—	—	V
ESD	Charged device model	—	100	—	—	V
—	Maximum DC input current	1, 3	—	—	25	mA

NOTES:

- No damage under these conditions.
- Apply voltage to core pin if internal regulator is disabled. If enabled, pins should be floating with bypass to V_{SS} .
- Computed as the current through 50Ω from the voltage difference between the input voltage common mode and V_{DDT} .
- High-speed signal pins are shown in [Table 1-17](#).
- Control, interface, and alarm pins are shown in [Table 1-18](#).

2.2 Recommended Operating Conditions

Table 2-2. Recommended Operating Conditions

Symbol	Parameter	Notes	Minimum	Typical	Maximum	Units
<i>DVdd_I/O</i>	Digital I/O power	2	—	1.8/2.5/3.3	—	V
<i>AVdd_I/O</i>	Analog I/O power	2	—	1.8/2.5/3.3	—	V
<i>AVdd_Core</i>	Analog core power	1, 2	—	1.2	—	V
<i>DVdd_Core</i>	Digital core power	1, 2	—	1.2	—	V
T_a	Ambient temperature	—	-40	—	85	°C
θ_{ja}	Junction to ambient thermal resistance	3	—	24	—	°C/W

NOTES:

1. Needed only if *AVdd_Core* or *DVdd_Core* are provided from external source (internal regulator disabled *xRegu_En* = H).
2. Typical value $\pm 5\%$ is acceptable.
3. With forced convection of 1 m/s and 2.5 m/s, θ_{ja} is decreased to 18 °C/W and 16 °C/W respectively.

2.3 Power Dissipation

Table 2-3. DC Power Electrical Specifications (1 of 2)

Symbol	Parameter	Notes	Minimum	Typical	Maximum	Units
I _{dd}	Case 1: current consumption for output swing = 550 mV CML, internal regulator = on	1	—	310	365	mA
P _{diss}	Power dissipation at 1.8V	—	—	560	660	mW
P _{diss}	Power dissipation at 3.3V	2	—	1.02	1.2	W
I _{dd}	Case 2: current consumption for output swing = 900 mV CML, internal regulator = on	1	—	340	400	mA
P _{diss}	Power dissipation at 1.8V	—	—	610	720	mW
P _{diss}	Power dissipation at 3.3V	2	—	1.12	1.32	W
—	Case 3: output swing = 550 mV CML, internal regulator = off	1	—	—	—	—
I _{dd_core}	Core current consumption	—	—	260	300	mA
I _{dd_io}	Input/Output buffers current consumption	—	—	50	70	mA
P _{diss}	Power dissipation at 1.2V core, 1.8V I/O	—	—	400	490	mW
P _{diss}	Power dissipation at 1.2V core, 3.3V I/O	—	—	480	590	mW
I _{dd}	Case 4: current consumption for output swing = 450 mV LVDS, internal regulator = on	1	—	320	380	mA
P _{diss}	Power dissipation at 1.8V	—	—	580	680	mW
P _{diss}	Power dissipation at 3.3V	2	—	1.06	1.25	W

Table 2-3. DC Power Electrical Specifications (2 of 2)

Symbol	Parameter	Notes	Minimum	Typical	Maximum	Units
I _{dd}	Case 5: current consumption for output swing = 1.5V PCML+, internal regulator = on	1	—	410	470	mA
P _{diss}	Power dissipation at 1.8V	—	—	740	850	mW
P _{diss}	Power dissipation at 3.3V	2	—	1.35	1.55	W

NOTES:

- Specified at recommended operating conditions—see Table 2-2.
- Thermal design such as thermal pad vias on PCB must be considered for this case.

2.4 Input/Output Specifications

Table 2-4. Serial Interface (2-wire and 4-wire) CMOS I/O Electrical Specifications

Symbol	Parameter	Notes	Minimum	Typical	Maximum	Units
V _{OH}	Output logic high I _{OH} = -3 mA	2	0.8 x DV _{dd_I/O}	DV _{dd_I/O}	—	V
V _{OL}	Output logic low I _{OL} = 24 mA	2	—	0.0	0.2 x DV _{dd_I/O}	V
I _{OH}	Output current (logic high)	—	-10	—	0	mA
I _{OL}	Output current (logic low)	—	0	—	10	mA
V _{IH}	Input logic high	—	0.75 x DV _{dd_I/O}	—	DV _{dd_I/O} + 0.3	V
V _{IL}	Input logic low	—	0	—	0.25 x DV _{dd_I/O}	V
I _{IH}	Input current (logic high)	—	-100	—	100	μA
I _{IL}	Input current (logic low)	—	-100	—	100	μA
t _r	Output rise time (20–80%)	—	—	—	250	ns
t _f	Output fall time (20–80%)	—	—	—	250	ns
C _{2wire}	Input capacitance of MF10 and MF11 in 2-wire serial interface mode.	3	—	—	10	pF

NOTES:

- Entire table specified at recommended operating conditions—see Table 2-2.
- DV_{dd_I/O} can be chosen independently from AV_{dd_I/O}.
- 2-wire serial output mode can drive 500 pF.

Table 2-5. Input Electrical Specifications

Symbol	Parameter	Notes	Minimum	Typical	Maximum	Units
DR _{IN}	Input signal data rate	—	42	—	3200	Mbps
V _{ID}	Input differential voltage (P–P)	2, 3	100	—	2000	mV
V _{ICM}	Input common-mode voltage	—	700	—	1200	mV
V _{IH}	Maximum input high voltage	—	—	—	AV _{dd_Core} + 400	mV
V _{IL}	Minimum input low voltage	—	400	—	—	mV
R _{IN}	Input termination to V _{ddT}	4	45	50	65	Ω
S ₁₁	Input return loss (40 MHz to 2.5 GHz)	—	—	-15.0	—	dB

NOTES:

1. Entire table specified at recommended operating conditions—see Table 2-2.
2. Example 1200 mV_{pp} differential = 600 mV_{pp} for each single-ended terminal.
3. Minimum input level defined as error free operation at 10⁻¹² BER.
4. See Figure 2-1 for input termination circuit.

Figure 2-1. Data Input Internal Circuitry

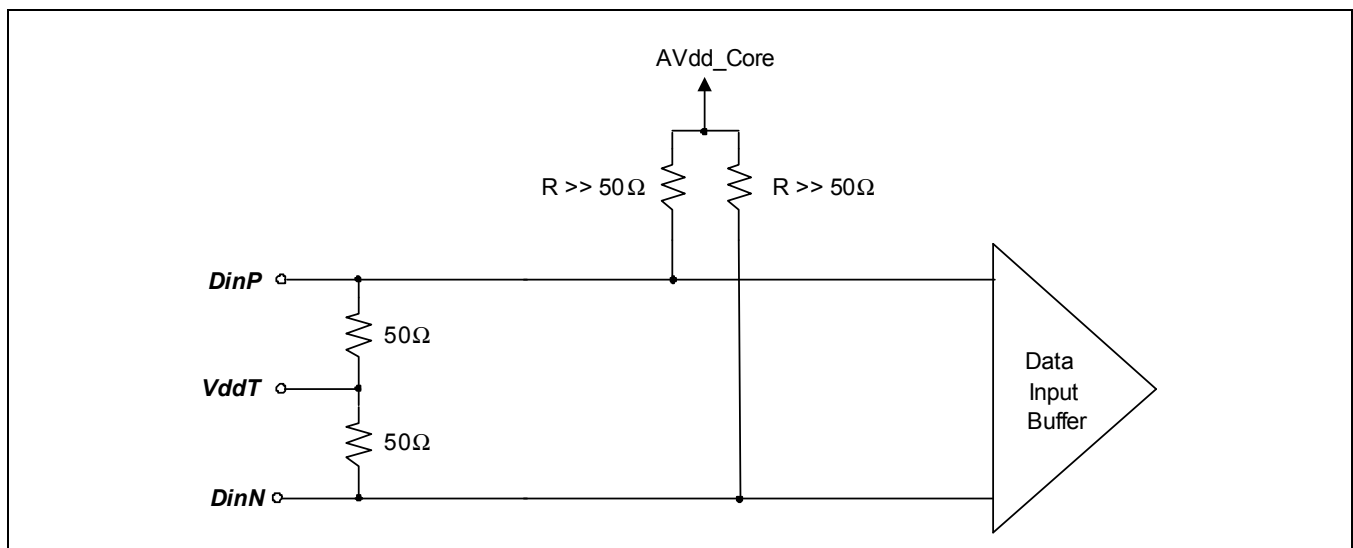


Table 2-6. PCML (Positive Current Mode Logic) Output Electrical Specifications

Symbol	Parameter	Notes	Minimum	Typical	Maximum	Units
DR _{OUT}	Output signal data rate (Reclockers enabled)	—	42	—	3200	Mbps
t _r /t _f	Rise/Fall time (20–80%) for all levels	—	—	75	130	ps
V _{OH}	Low swing: output logic high (single-ended)	—	AVdd_I/O - 25	—	AVdd_I/O	mV
V _{OL}	Low swing: output logic low (single-ended)	—	AVdd_I/O - 370	—	AVdd_I/O - 250	mV
V _{OD}	Low swing: differential swing	2	400	550	750	mV
V _{OH}	Medium swing: output logic high (single-ended)	—	AVdd_I/O - 80	—	AVdd_I/O	mV
V _{OL}	Medium swing: output logic low (single-ended)	—	AVdd_I/O - 600	—	AVdd_I/O - 420	mV
V _{OD}	Medium swing: differential swing	2	700	900	1150	mV
V _{OH}	High swing: output logic high (single-ended)	—	AVdd_I/O - 95	—	AVdd_I/O	mV
V _{OL}	High swing: output logic low (single-ended)	—	AVdd_I/O - 770	—	AVdd_I/O - 535	mV
V _{OD}	High swing: differential swing	2	900	1200	1500	mV
V _{OH}	PCML+ swing: output logic high (single-ended)	—	AVdd_I/O - 115	—	AVdd_I/O	mV
V _{OL}	PCML+ swing: output logic low (single-ended)	—	AVdd_I/O - 1000	—	AVdd_I/O - 680	mV
V _{OD}	PCML+ swing: differential swing	2	1150	1500	1900	mV
R _{OUT}	Output termination to AVdd_Core	—	45	50	65	Ω
S ₂₂	Output return loss (40 MHz to 2.5 GHz)	—	—	-15.0	—	dB

NOTES:

1. Specified at recommended operating conditions—see Table 2-2.
2. Example 1200 mV_{P-P} differential = 600 mV_{P-P} for each single-ended terminal.
3. All output swings defined with pre-emphasis off.

Table 2-7. LVDS (Low Voltage Differential Signal) Output Electrical Specifications (1 of 2)

Symbol	Parameter	Notes	Minimum	Typical	Maximum	Units
DR _{OUT}	Output Signal Data Rate (reclockers enabled)	—	42	—	3200	Mbps
V _{OCM}	Output average common mode range	2	—	1200	—	mV
t _r /t _f	GPL: rise/fall time (20–80%)	—	—	75	130	ps
V _{OD}	GPL: differential output (P–P)	3	500	650	800	mV
V _{OD}	RRL: differential output (P–P)	—	300	450	550	mV

Table 2-7. LVDS (Low Voltage Differential Signal) Output Electrical Specifications (2 of 2)

Symbol	Parameter	Notes	Minimum	Typical	Maximum	Units
R_{OUT}	Output termination (differential)	—	90	100	130	Ω
S_{22}	Output return loss (40 MHz to 2.5 GHz)	—	—	-15.0	—	dB

NOTES:

1. Specified at recommended operating conditions—see Table 2-2.
2. Computed as average (average positive output and average negative output).
3. Conforms to IEEE Std 1596.3—1996 for GPL. All values specified for 50 Ω single-ended backmatch, 100 Ω differential load.
4. All output swings defined with pre-emphasis off.
5. See Figure 2-2 for definitions of eye parameters.

Figure 2-2. Definitions of Eye Parameters

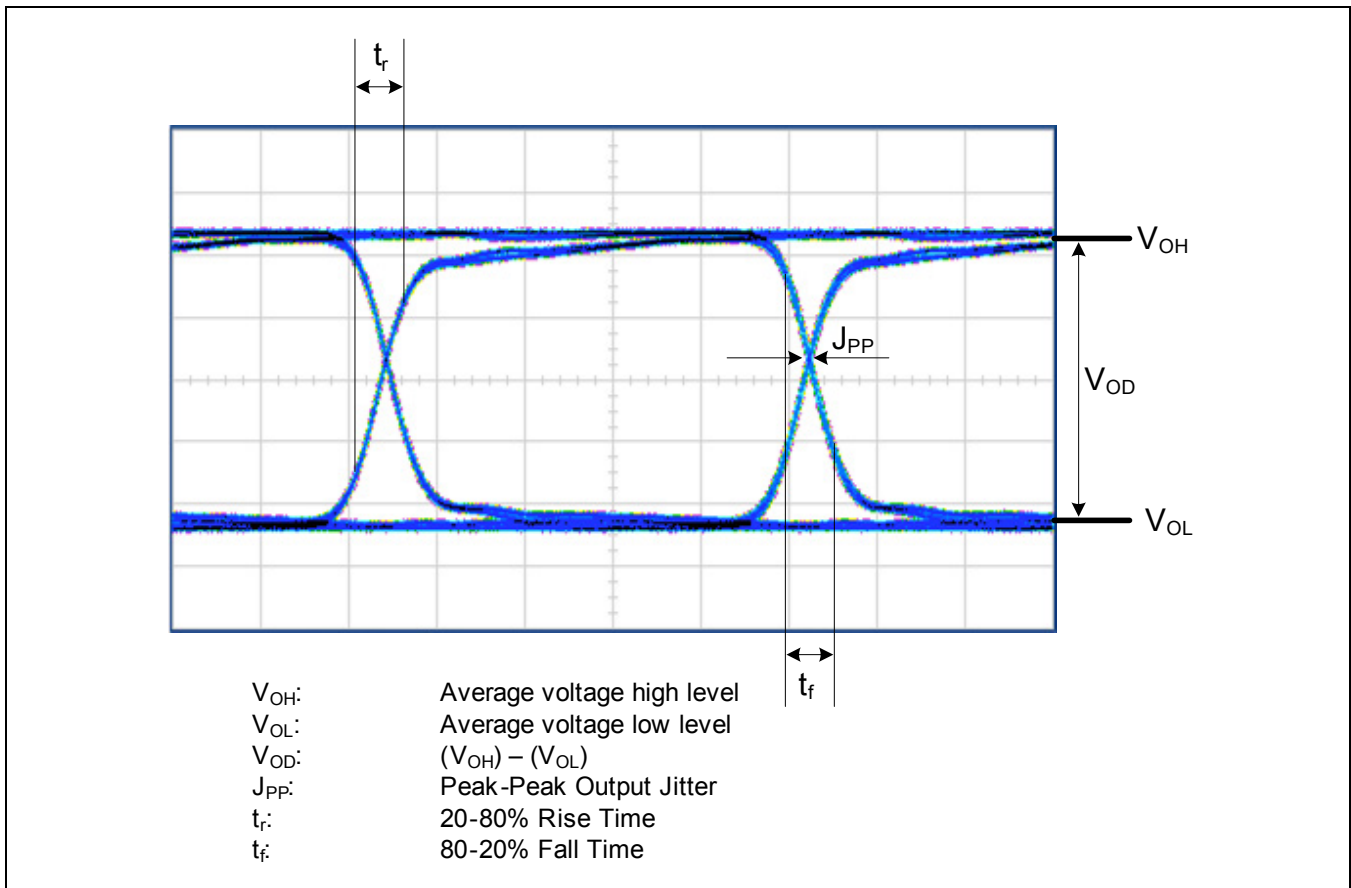


Table 2-8. Input Equalization Performance Specifications

Symbol	Parameter	Notes	Minimum	Typical	Maximum	Units
DR _{IN}	Input signal data rate	—	42	—	3200	Mbps
—	Maximum error-free distance at 3.2 Gbps	2, 3, 6, 7	—	—	60	in
—	Maximum error-free distance at 1.6 Gbps	2, 3, 6, 7	—	—	72	in

NOTES:

1. Specified at recommended operating conditions—see [Table 2-2](#).
2. Performance measured on standard FR4 backplane such as standards provided by TYCO for 10GE XAUI.
3. Measured with PCML driver without output pre-emphasis at a minimum launch voltage of 900 mVpp output swing at beginning of line.
4. Combined input equalization + output pre-emphasis performance will be better than individual performance, but less than the sum of the two lengths.
5. Input equalization has greatest effect for data rates higher than 1 Gbps.
6. Default setting optimized for driving 10–46 in of PCB trace length. Equalizer can be configured for longer reach using serial interface.
7. Test setup: Pattern generator ⇒ test backplane ⇒ DUT ⇒ error detector

Table 2-9. Output Pre-Emphasis Performance Specifications

Symbol	Parameter	Notes	Minimum	Typical	Maximum	Units
DR _{OUT}	Output signal data rate	—	42	—	1600	Mbps
—	Maximum error-free distance at 3.2 Gbps	2, 3, 6	—	—	40	in
—	Maximum error-free distance at 1.6 Gbps	2, 3, 6	—	—	60	in

NOTES:

1. Specified at recommended operating conditions—see [Table 2-2](#).
2. Performance measured on standard FR4 backplane such as standards provided by TYCO for 10GE XAUI.
3. Measured with PCML receiver without input equalization, using PCML output driver at 1200 mVpp output swing at beginning of line.
4. Combined adaptive equalization + output pre-emphasis performance will be better than individual performance, but less than the sum of the two lengths.
5. Output pre-emphasis has greatest effect for data-rates higher than 1 Gbps.
6. Test setup: Pattern generator ⇒ DUT ⇒ test backplane ⇒ error detector

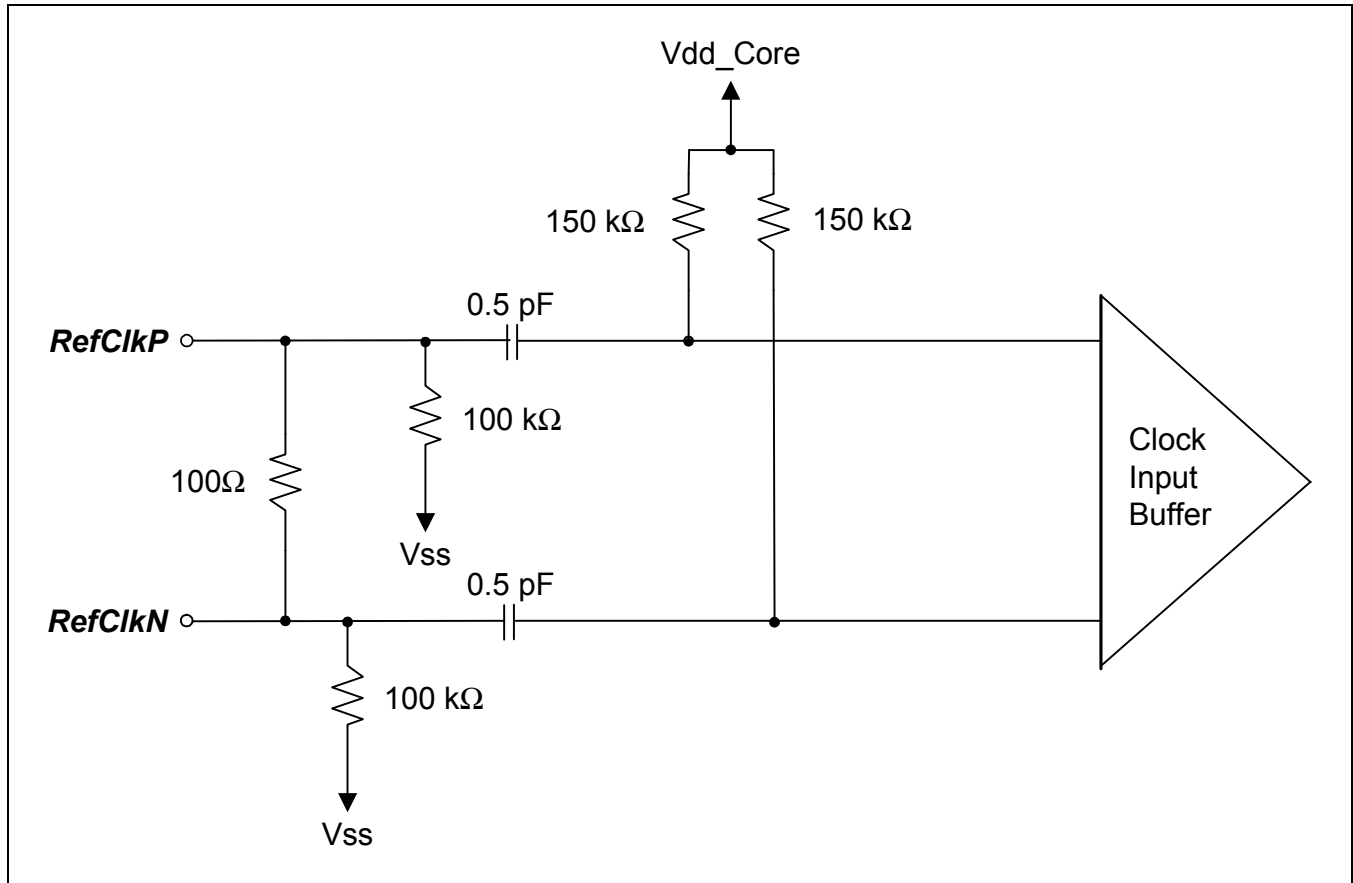
Table 2-10. Reference Clock Input

Symbol	Parameter	Notes	Minimum	Typical	Maximum	Units
F_{ref}	Input frequency ($Refclk_ctrl$ [3:1] = 000b)	2, 3	10	19.44	25	MHz
F_{ref}	Input frequency ($Refclk_ctrl$ [3:1] = 001b)	2, 3	20	38.88	50	MHz
F_{ref}	Input frequency ($Refclk_ctrl$ [3:1] = 010b)	2, 3	40	77.76	100	MHz
F_{ref}	Input frequency ($Refclk_ctrl$ [3:1] = 011b)	2, 3	80	155.52	200	MHz
F_{ref}	Input frequency ($Refclk_ctrl$ [3:1] = 100b)	2	120	250	300	MHz
F_{ref}	Input frequency ($Refclk_ctrl$ [3:1] = 101b)	2, 3	160	311.04	400	MHz
F_{ref}	Input frequency ($Refclk_ctrl$ [3:1] = 110b)	2, 3	320	622.08	800	MHz
V_{ID}	Input differential voltage (P–P)	4, 5	100	—	1600	mV
V_{ICM}	Input common-mode voltage	2, 5	250	—	$AVdd_I/O$	mV
—	Input duty cycle	—	40	50	60	%
—	Frequency stability	2	—	—	100	ppm
R_{IN}	Differential termination	5	—	100	—	Ω
—	Internal pull-down to V_{ss}	—	—	100	—	k Ω
—	Maximum DC input current	—	—	—	15	mA

NOTES:

1. Specified at recommended operation conditions—see Table 2-2.
2. Used for frequency acquisition.
3. Typical values are exact integer ratios for SONET applications.
4. Example 1200 mV_{pp} differential = 600 mV_{pp} for each single-ended terminal.
5. Input can accept a CMOS single-ended clock on differential P terminal when differential N terminal is decoupled to ground with a large enough capacitor. CMOS input will then see an effective 100 Ω load.
6. See Figure 2-3 for input termination circuit.

Figure 2-3. Reference Clock Input Internal Circuitry



2.5 High-Speed Performance Specifications

Table 2-11. CDR/RCLK High-Speed Performance (1 of 2)

Symbol	Parameter	Notes	Minimum	Typical	Maximum	Units
DR _{IN}	Input signal data rate (NRZ data) divider ratio = 1	—	2	—	3.2	Gbps
DR _{IN}	Input signal data rate (NRZ data) divider ratio = 2	—	1	—	1.6	Gbps
DR _{IN}	Input signal data rate (NRZ data) divider ratio = 4	—	500	—	800	Mbps
DR _{IN}	Input signal data rate (NRZ data) divider ratio = 8	—	250	—	400	Mbps
DR _{IN}	Input signal data rate (NRZ data) divider ratio = 12	—	167	—	267	Mbps
DR _{IN}	Input signal data rate (NRZ data) divider ratio = 16	—	125	—	200	Mbps
DR _{IN}	Input signal data rate (NRZ data) divider ratio = 24	—	83	—	133	Mbps
DR _{IN}	Input signal data rate (NRZ data) divider ratio = 32	—	62.5	—	100	Mbps
DR _{IN}	Input signal data rate (NRZ data) divider ratio = 48	—	42	—	67	Mbps
J _{TOL}	Jitter tolerance (Figure 2-5)	2	—	0.625	—	UI
J _{TRF}	Jitter transfer (Figure 2-6)	2, 16	—	—	—	—
J _{GEN}	Jitter generation (rms) at STS-N (N = 1, 3, 12, 48)	2, 12	—	4.5	6.5	mUI
J _{GEN}	Jitter generation (pp) at STS-N (N = 1, 3, 12, 48)	2, 12	—	30	55	mUI
F _{LBW}	Default loop bandwidth: divider ratio = 1	3, 4, 5	—	—	2	MHz
F _{LBW}	Default loop bandwidth: divider ratio = 2	3, 4, 5	—	—	1	MHz
F _{LBW}	Default loop bandwidth: divider ratio = 4	3, 4, 5	—	—	500	KHz
F _{LBW}	Default loop bandwidth: divider ratio = 8	3, 4, 5	—	—	250	KHz
F _{LBW}	Default loop bandwidth: divider ratio = 12	3, 4, 5	—	—	167	KHz
F _{LBW}	Default loop bandwidth: divider ratio = 16	3, 4, 5	—	—	125	KHz
F _{LBW}	Default loop bandwidth: divider ratio = 24	3, 4, 5	—	—	83	KHz
F _{LBW}	Default loop bandwidth: divider ratio = 32	3, 4, 5	—	—	62.5	KHz
F _{LBW}	Default loop bandwidth: divider ratio = 48	3, 4, 5	—	—	41.6	KHz
R _j	Output data random jitter (pp)	13	—	—	100	mUI
D _j	Output data deterministic jitter (pp)	13	—	—	110	mUI
T _j	Output data total jitter (pp)	13	—	—	210	mUI
J _{rms}	Output data broadband jitter (rms)	14, 15	—	13	40	mUI
J _{pp}	Output data broadband jitter (pp)	14, 15	—	75	230	mUI
T _{LAT}	Latency from input to output (utilizing CDR)	—	—	1.75	2	ns
CH _{SK}	Channel to channel output data skew (utilizing CDR)	—	—	10	65	ps
—	Initialization time	6, 7, 10	—	2	—	ms
T _{FRA}	Frequency acquisition time	6, 8	—	0.4	—	ms

Table 2-11. CDR/RCLK High-Speed Performance (2 of 2)

Symbol	Parameter	Notes	Minimum	Typical	Maximum	Units
T _{PLL}	Phase lock time with 100 ppm delta F	9, 11	—	—	100	ns
T _{PLL}	Phase lock time with 0 ppm delta F	9, 11	—	—	50	ns

NOTES:

- Specified at recommended operating conditions—see [Table 2-2](#).
- Jitter tolerance, jitter transfer, and jitter generation specified with input equalization and output pre-emphasis disabled, utilizing PRBS 2²³-1, per GR-253 test methodologies.
- Nominal loop bandwidth for 2.48832 GHz/ DRD.
- Bandwidth is proportional to frequency.
- For SONET data rates, default meets SONET specifications.
- Assume that reference is within ±100 ppm of desired data rate.
- Time after power up, reset, or data rate change.
- Time from application of valid data to lock within ±20% of lock phase.
- Defined as when phase settles to within 20% of lock phase.
- After reset (master or soft), initialization takes place, then frequency acquisition.
- Based on nominal SONET bandwidth (bandwidth can be increased for lower phase lock time).
- Jitter generation specified per GR-253, utilizing bandpass filter with passband 12 KHz to 20 MHz for STS-48.
- R_j, D_j, T_j represent jitter measured to BER of 10⁻¹² per FC-PI-2 specifications.
- Broadband jitter defined as jitter measured on sampling oscilloscope without the use of filters.
- Maximum value specified incorporates asynchronous aggressors.
- Jitter transfer of CDR meets the SONET STS-48 mask if loop bandwidth is set to 80% of nominal by writing *Phadj_ctrl_N*[5:4] = 00b. Jitter transfer at STS-12 (STS-3) exceeds mask by 0.1 dB in frequency range 10 - 25.1 KHz (1.5 - 10 KHz).

Table 2-12. CDR/RCLK Alarm Performance

Symbol	Parameter	Notes	Minimum	Typical	Maximum	Units
DT _{LOA}	xLOA decision time	5	—	26	—	μs
—	xLOA assertion transition density threshold (xLOA = H to L)	5, 6	—	12.5	—	%
—	xLOA de-assertion transition density threshold (xLOA = L to H)	5, 6	—	12.5	—	%
DT _{LOL}	xLOL decision time (measurement time)	2	10	420	3275	μs
WRW	xLOL assertion frequency threshold (xLOL = H to L)	2, 3	±185	±2930	±250000	ppm
NRW	xLOL de-assertion frequency threshold (xLOL = L to H)	2, 3	±120	±1955	±250000	ppm

NOTES:

- Specified at recommended operating conditions—see [Table 2-2](#).
- Actual time is set with LOL window. Typical is the default value. Minimum and maximum indicate dynamic range.
- Assume that reference is ±50 ppm of operating frequency.
- Computed for 1.4835 Gbps data rate. Will scale with data rate.
- Fixed values.
- Specification shown represents deviation from 50% transition density.

Figure 2-4. Jitter Tolerance Specification Mask

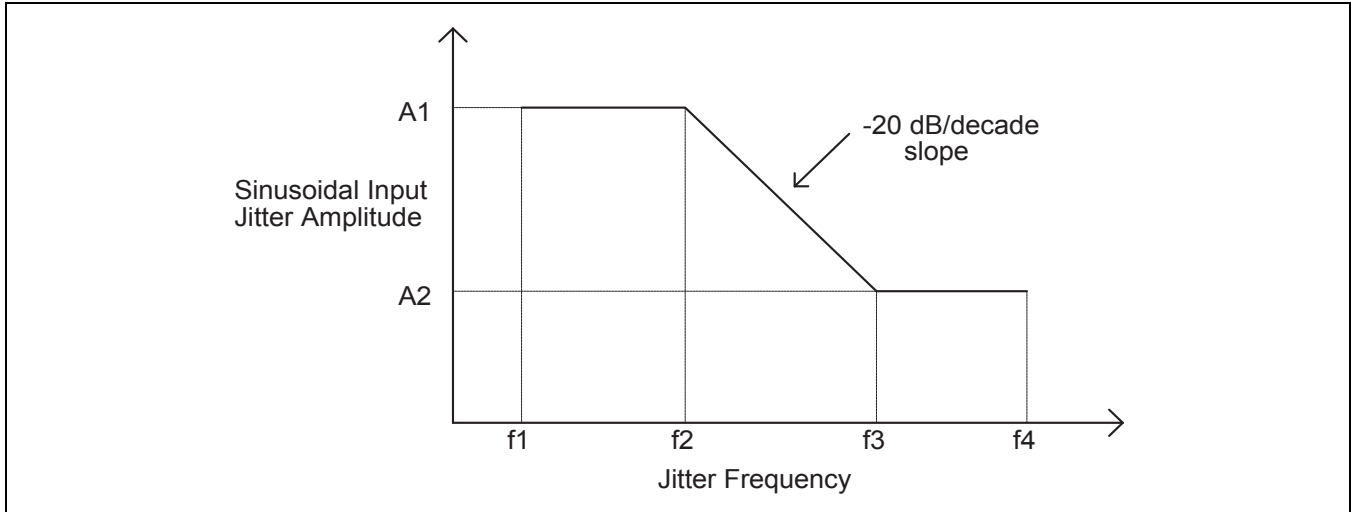


Table 2-13. SMPTE Jitter Tolerance Mask

Jitter Parameter	SMPTE 259M	SMPTE 292M
f1	10 Hz	10 Hz
f3	1 kHz	100 kHz
f4	>27 MHz	>148.5 Mhz
A1	1.0 UI	1.0 UI
A2	0.2 UI	0.2 UI

Figure 2-5. SONET Jitter Tolerance Specification Mask

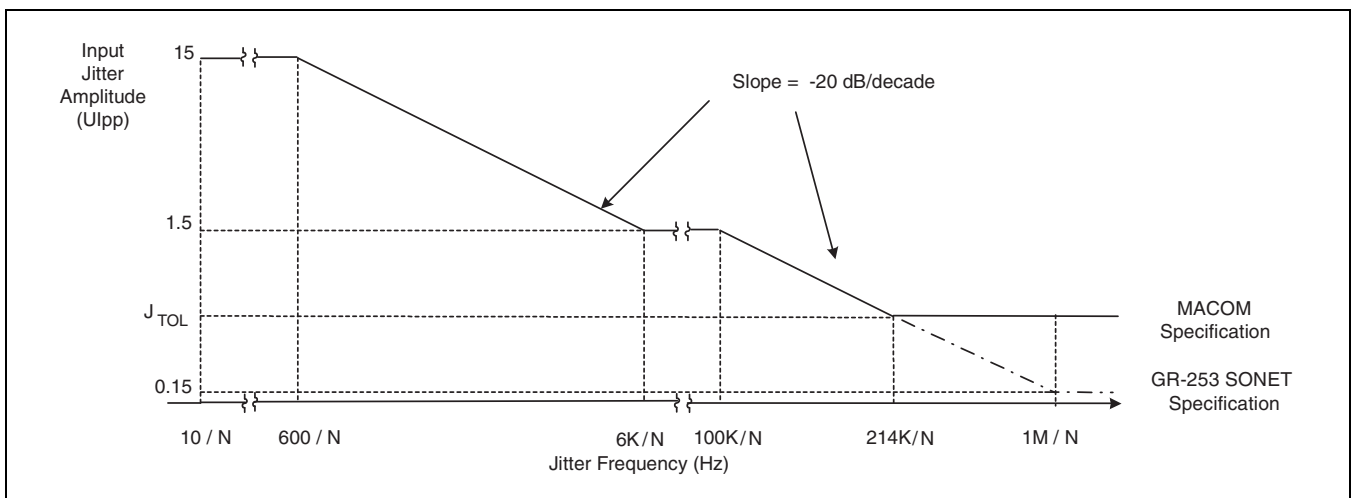


Figure 2-6. Jitter Transfer Specification Mask

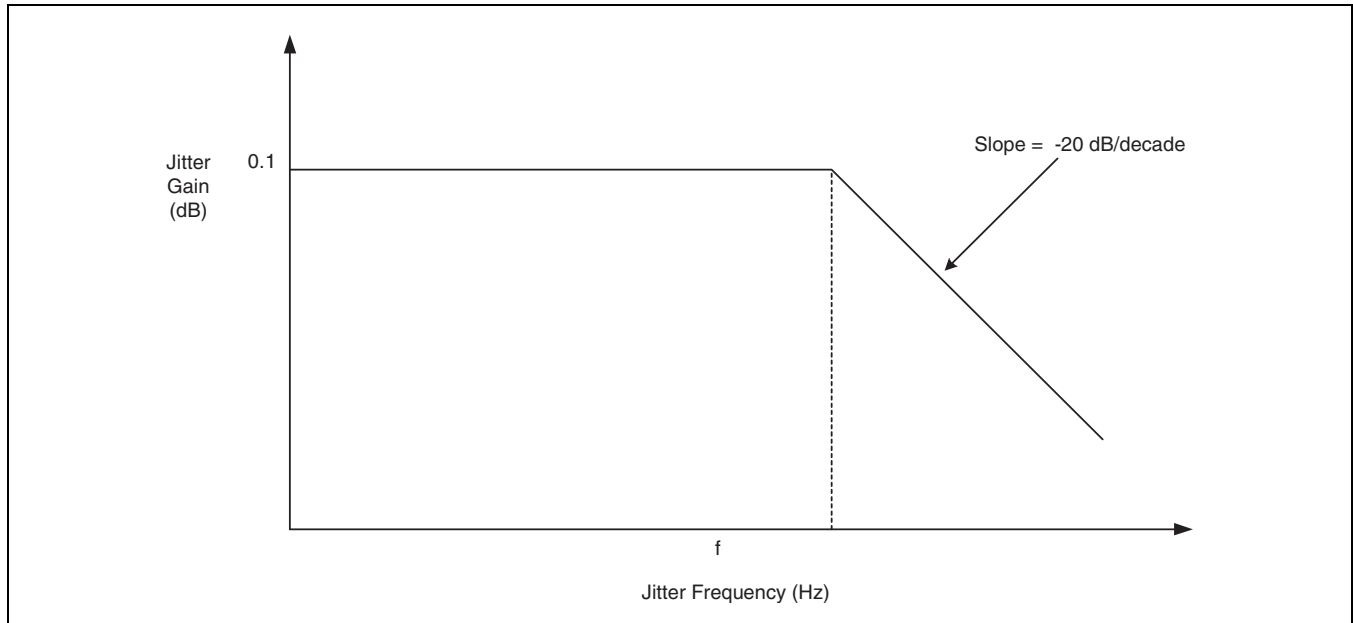


Table 2-14. Loop Bandwidths for Typical Video Data Rates

Application	Bit Rate (Mbps)	Value of N	Approximate Loop BW (f)
2xHD-SDI	2967/2970	0.84	2.38 MHz
HD-SDI	1485/1483.5	1.68	1.19 MHz
2xSD-SDI	540	4.6	435 MHz
Progressive Scan	360	6.9	290 KHz
SD-SDI	270	9.2	217 KHz
Legacy Comp Video	177	14.1	142 KHz
Legacy Comp Video	143	17.4	115 KHz

2.6 Package Drawings and Surface Mount Assembly Details

The M21262 is assembled in 72-pin 10 mm x 10 mm MicroLeadFrame (MLF) packages. This is a plastic encapsulated package with a copper leadframe. The MLF is a leadless package with lands on the bottom surface of the package.

The exposed die paddle serves as the IC ground (V_{SS}), and the primary means of thermal dissipation. This die paddle should be soldered to the PCB. A cross-section of the MLF package can be found in [Figure 2-7](#).

Figure 2-7. Cross-Section of MLF Package

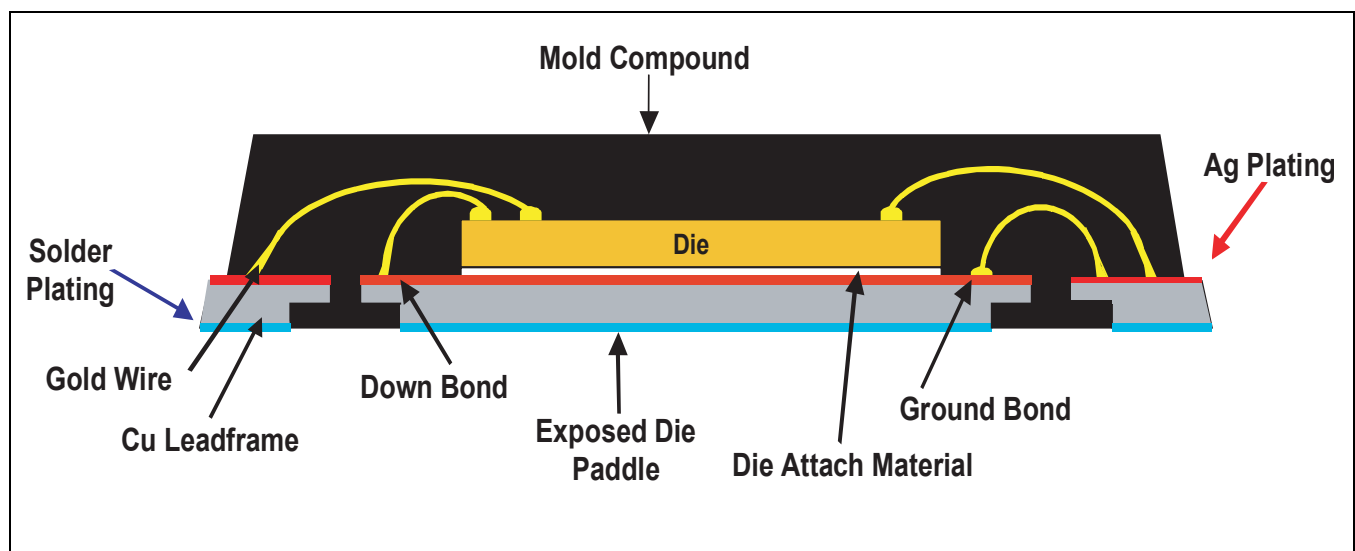


Figure 2-8 and Figure 2-9 shows the package outline drawing for the 10 mm x 10 mm MLF package.

Figure 2-8. Package Drawing (1 of 2)

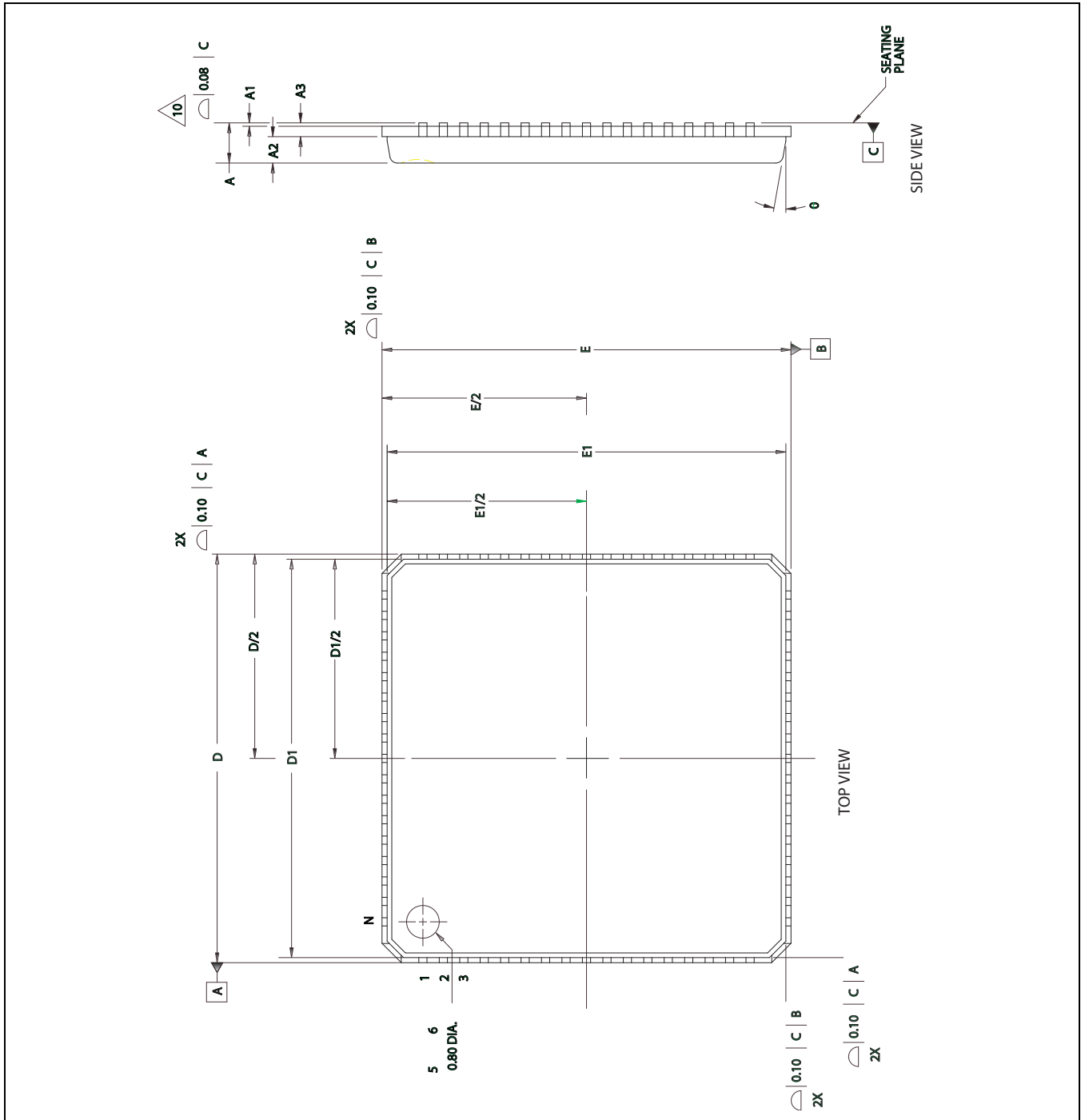
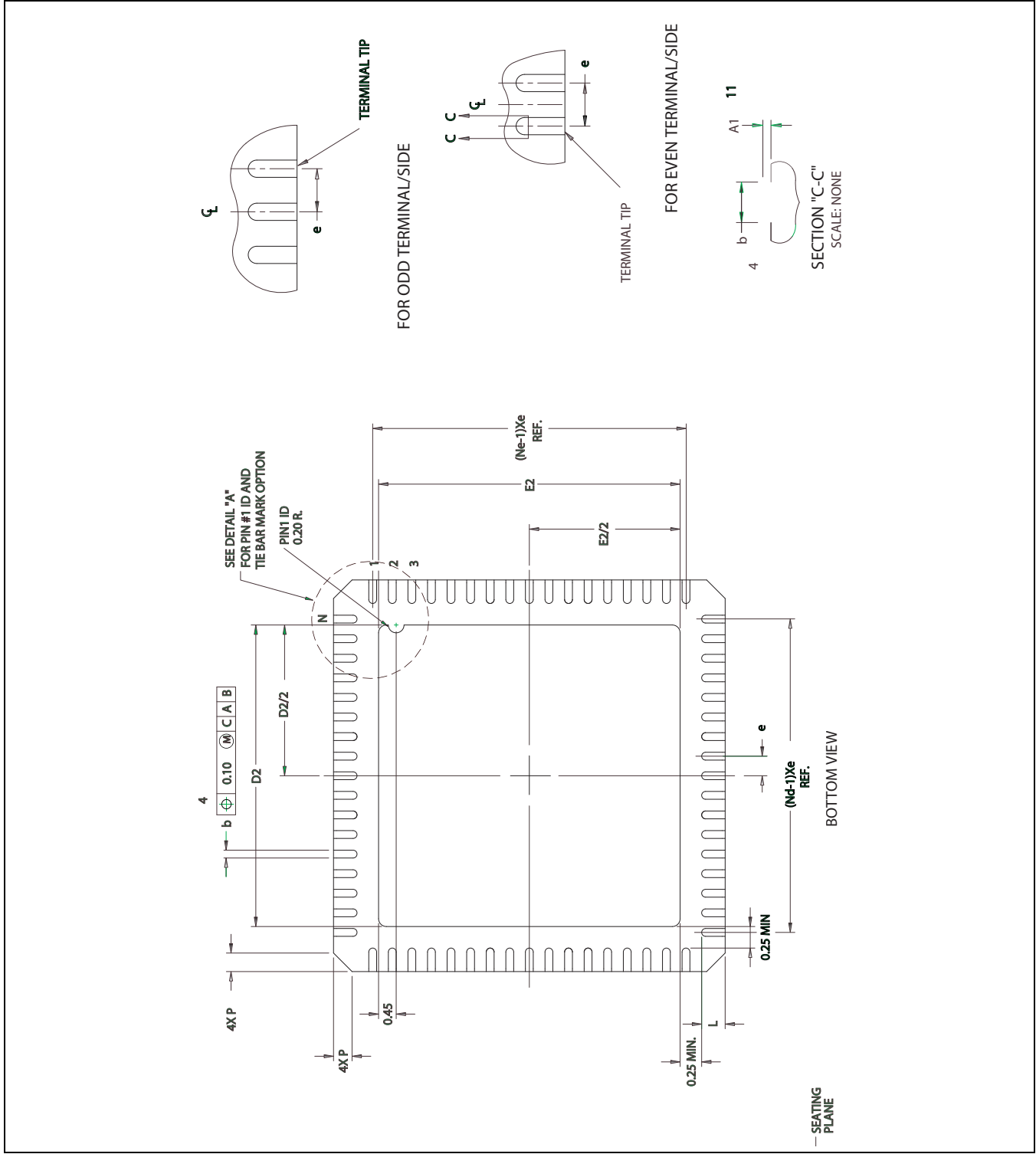
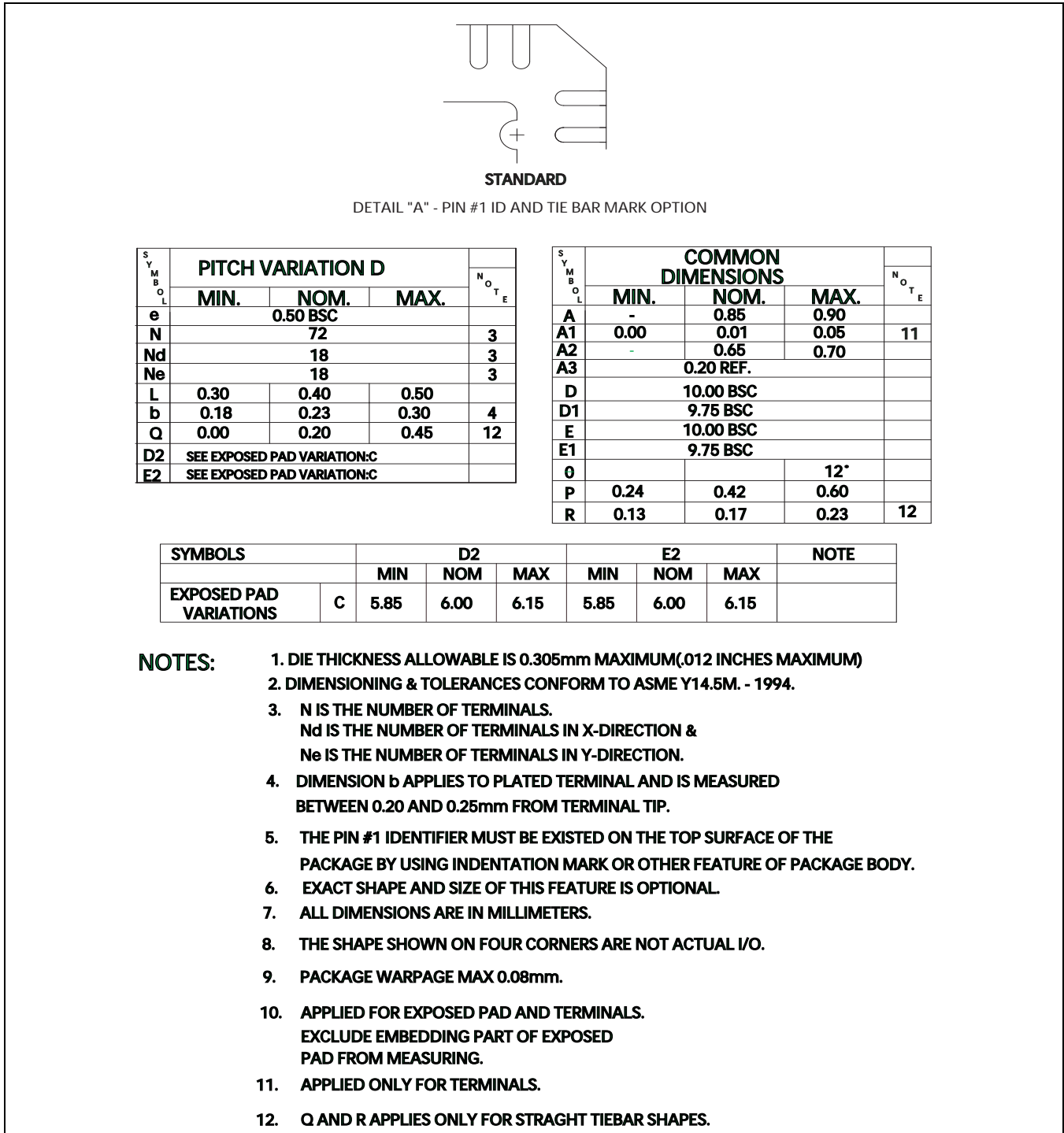


Figure 2-9. Package Drawing (2 of 2)



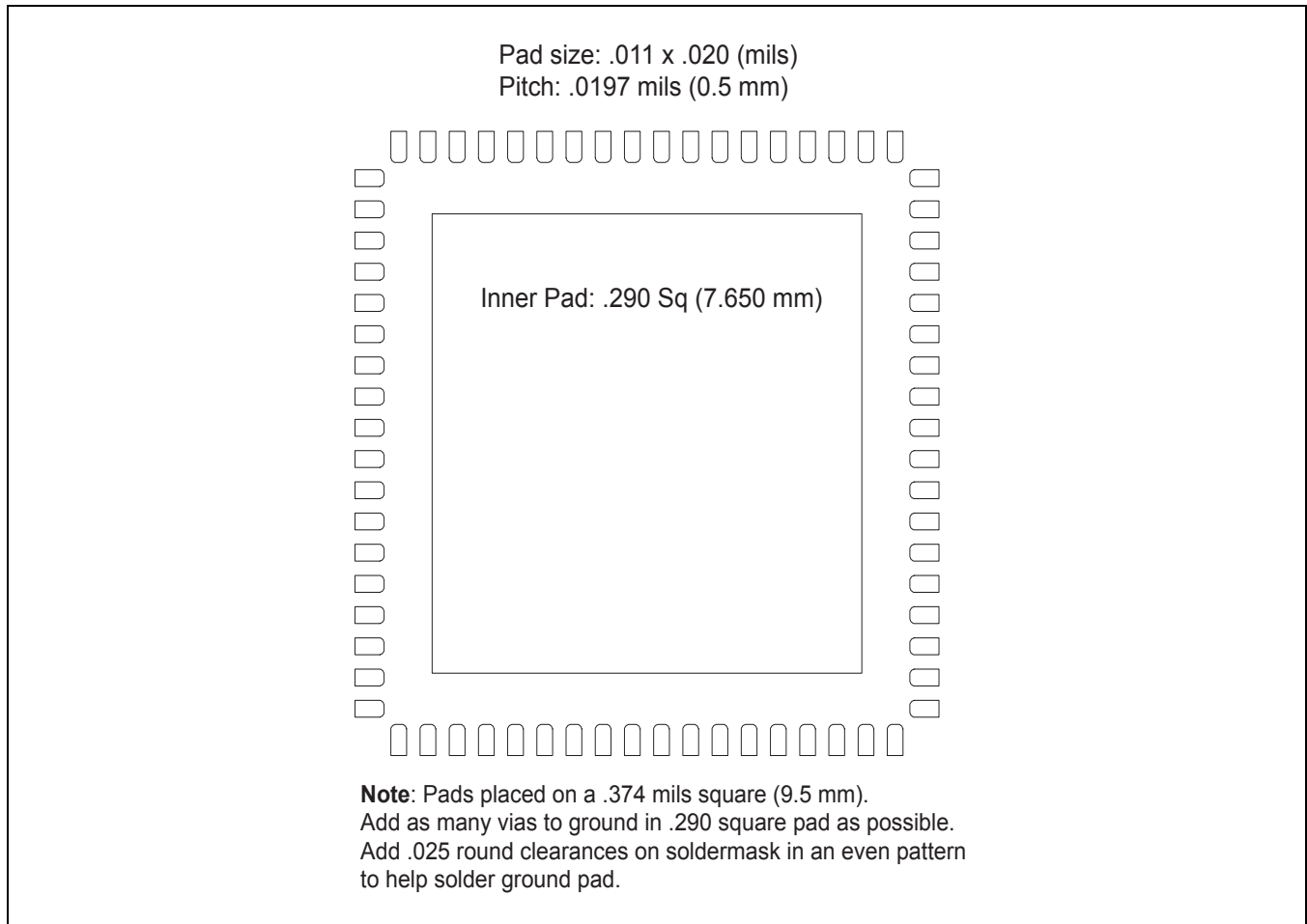
The relevant dimensions for the 72-pin version of the package can be found in [Figure 2-10](#).

Figure 2-10. 72-Pin Package Dimensions



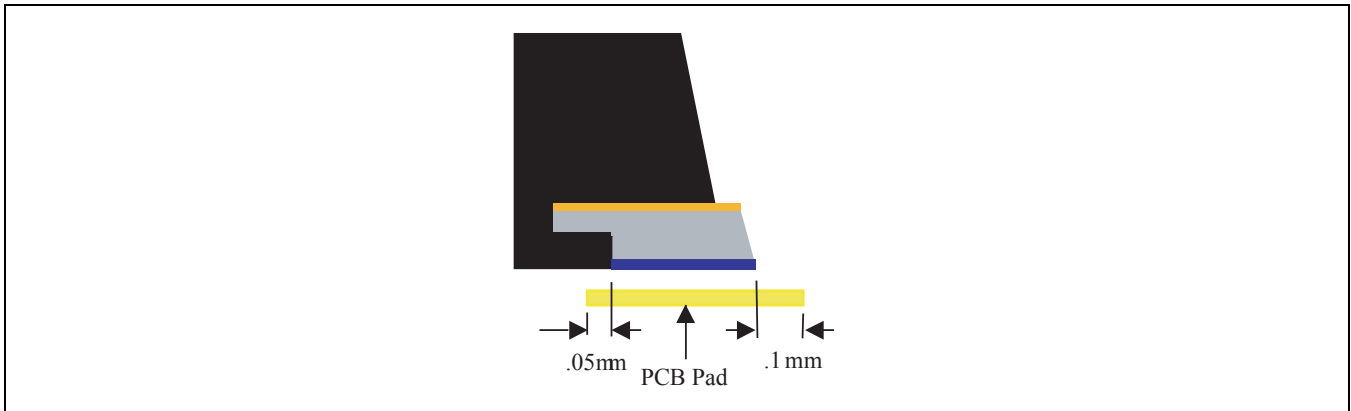
The M21262 evaluation module (EVM) uses the PCB footprint shown in [Figure 2-11](#).

Figure 2-11. PCB Footprint for 72-Pin 10 mm MLF Package



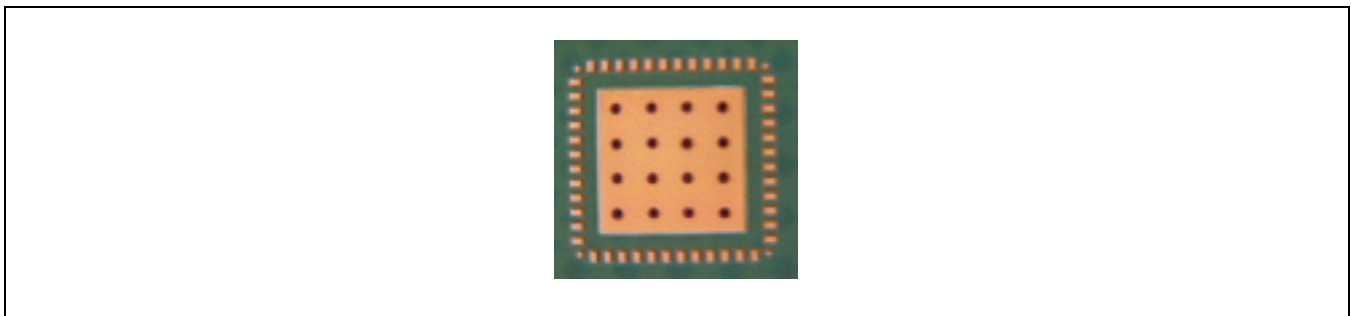
The pad length dimensions should account for component tolerances, PCB tolerances, and placement tolerances. At a minimum, the pad should extend at least 0.1 mm on the outside and 0.05 mm on the inside, as shown in [Figure 2-12](#).

Figure 2-12. PCB Pad Extensions



To efficiently dissipate heat from the M21262, a thermal pad with thermal vias should be used on the PCB. An example of a thermal pad with a 4x4 via array is shown in [Figure 2-13](#). The thermal vias provide a heat conduction path to inner and/or bottom layers of the PCB. The larger the via array, the lower the thermal resistance (θ_{ja}). It is recommended to use thermal vias with 1.0 to 1.2 mm pitch with 0.3 to 0.33 mm via diameter.

Figure 2-13. Recommended Via Array for Thermal Pad



For further details please refer to the relevant application note from package vendor Amkor (see list of references at the end of this document). Much of the material in this section has been adopted from the Amkor SMT application note.

2.7 PCB High-Speed Design and Layout Guidelines

A single power plane for the *AVdd_IO* and *AVdd_Core* power supplies with bulk capacitors (typically 10 μF) distributed throughout the board will mitigate most power-rail related voltage transients. A bulk capacitor should also be placed where the power enters the board. It is recommended that decoupling capacitors only be routed directly to the power pin if they can be placed within 1/8 of an inch of the pin. Decoupling capacitors should be dispersed around the outside of the device on the top side and underneath the IC on the bottom side of the board. It is recommended that 0.1 μF and 0.01 μF decoupling capacitors be used. All three capacitor values are not required on each pin, but should be dispersed uniformly to filter different frequencies of noise.

A continuous ground plane is the best way to minimize ground impedance. Return currents and power supply transients produce most ground noise during switching. Reducing ground plane impedance minimizes this effect. There is a high frequency decoupling effect from the capacitive effect of power/ground planes and this can be used to help minimize the amount of high frequency decoupling capacitors.

High-speed PCML signals should be routed with 50 Ω equal length traces for P and N signals within each differential pair. Buried strip line is recommended for internal layers while microstrip line is used for signals routed on surface layers. There should be no discontinuity in the ground planes during the path of the signal traces.

Impedance discontinuities occur when a signal passes through vias and travels between layers. It is recommended to minimize the number of vias and layers that the transmit/receive signals travel through in the design. The system PCB should be designed so that high-speed signals pass through a minimal number of vias and remain on a single internal high-speed routing layer.

When vias need to be used, the via design should match the transmission line impedance by observing the following:

- Avoid through-hole vias; they cause stubs by extending the full cross-section of the PCB despite the fact that the layer change requires only a small length via (as in the case of adjacent layers). Use short blind vias.
- Avoid layer changes in general as the characteristic impedance of the transmission line changes as a result.

In general, some general rules for PCB design for high data rates are:

- PCB trace width for high-speed signals should closely match the SMT component width, so as to prevent stub effects from a sudden change in stripline width. A gradual increase in trace width is recommended as it meets the SMT pad.
- The PCB ground/power planes should be removed from under the I/O pins so as to reduce parasitic capacitance.
- High-speed traces should avoid sharp changes in direction. Using large radii will minimize impedance changes. Avoid bending traces by more than 45 degrees; otherwise, provide a circular bend so as to prevent the trace width from widening at the bend.
- Avoid trace stubs by minimizing components (resistors, capacitors) on the board. For instance, a termination resistor at the input of a receiver will inflict a stub effect at high frequency. Termination resistors integrated on chip will eliminate the stub. Components designed to DC couple to one another avoid the need for coupling capacitors and the inherent stubs created from them.

For high-speed differential signals, the trace lengths of each side of the differential pair should be matched to each other as much as possible. The skew between the P and N signals in a differential pair should be tightly controlled in order for the differential receiver to detect a valid data transition. When matching trace lengths within a

differential pair, care should be taken to avoid introducing large impedance discontinuities. The figures below show two methods of matching the trace lengths for a differential pair.

Typically, the preferred solution for trace length matching in differential pairs is to use a serpentine pattern for the shorter signal as shown in Figure 2-14. Using a serpentine pattern for length matching will minimize the differential impedance discontinuity while making both trace lengths equal.

Figure 2-14. Trace Length Matching Using Serpentine Pattern

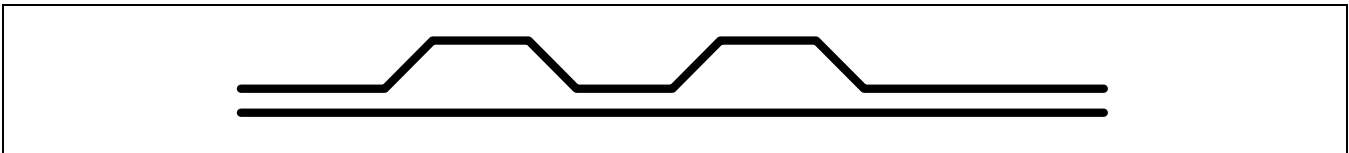
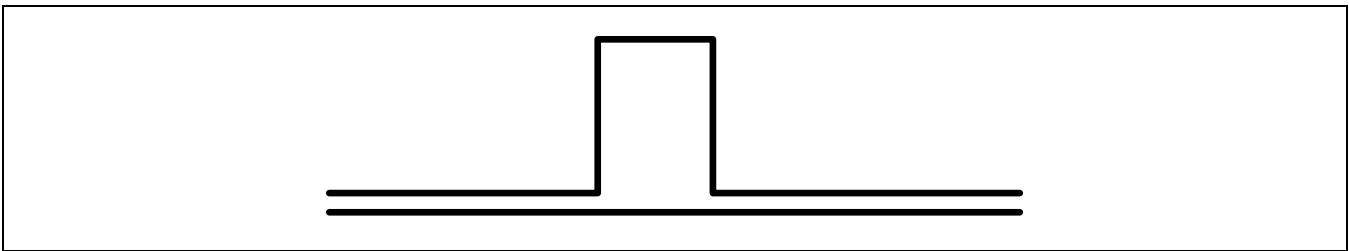


Figure 2-15. Loop Length Matching for Differential Traces



The loop length matching method shown in Figure 2-15 will match the trace lengths of a differential pair, but will create a large impedance discontinuity in the transmission line, which could result in higher jitter on the signal and/or a greater sensitivity to noise for the differential pair.

When using capacitors to AC-couple the input, care should be taken to minimize the pattern-dependant jitter (PD_J) associated with the low-frequency cutoff of the coupling network. When NRZ data containing long strings of 1s or 0s is applied to a high-pass filter, a voltage droop occurs. This voltage droop causes PD_J in much the same fashion as inter-symbol interference (ISI) is generated from dispersion effects of long trace lengths in backplane material.

If needed, use 0.1 μF capacitors to AC-couple the high-speed output signals, and the reference clock inputs. The high-speed data input signals can be DC-coupled.

On the Evaluation Module (EVM), we have tied **DVdd_I/O** and **AVdd_I/O** together to minimize the number of power supply jacks. They are kept separate on-chip to give the flexibility to the system designers to supply a different voltage level for each. For instance, an FPGA can be used to supply power to **DVdd_I/O**, while a lower voltage can be used to power **AVdd_I/O** to minimize power dissipation. On the EVM, we have also tied **DVdd_Core** and **AVdd_Core** together to minimize the number of power supply jacks. They are kept separate on-chip to provide more isolation, however, if the system board plane is properly decoupled, they can be tied together.

No inductive filtering on the system board is necessary between different power supplies of the IC. It is up to the system designer to determine if this needs to be considered for supplies that are coming from other parts of the system board (such as switching regulators or ASICs).

An inductor should not be used at the **VddT** pins. These pins were made available to create a low AC impedance, such that the 50 Ω on-chip termination impedances see a common AC ground. This assures both common-mode and differential termination. If common-mode termination is not important (such as in LVDS applications), simply

leave the **VddT** pins floating. Note that a low AC impedance can also be created by tying the **VddT** pins to the **AVdd_I/O** plane, thus saving on the number of external capacitors. This, however, implies a CML-like data interface (unless the data is AC-coupled). **VddT** is not really a supply plane on-chip, it is simply the point to which the 50Ω input impedances are tied.

Power planes should be decoupled to ground planes using thin dielectric layers, to increase capacitance (preferably 2–4 mils). Reference ground layers should be used on both sides of inner layer routing planes, with controlled impedance. The total board thickness should meet the standard drill holes to board thickness ratio of 1:12 or 1:14.

Use 1/2 ounce copper clad on all layers, which is approximately 0.7 mils. Avoid placing solder mask and silkscreen on top of transmission lines; solder mask will add 1–2Ω to the overall impedance of the transmission line. Dielectric core material should be used wherever possible, as it will maintain its thickness and geometry during processing, better than pliable prepreg.

The microwave ground should follow the transmission line from end to end, or from signal input to output. It is best to designate layers as dedicated microwave/circuit ground planes, and properly isolate them from other ground planes by providing adequate distance. All microwave ground planes should be tied together.

Uncoupled microstrip transmission lines should be placed at a distance from each other of at least three times the transmission line width. Coupled microstrip transmission lines, such as differential signal pairs, must be placed close to each other and maintain the same separation distance throughout the board (separation distance of at most twice the trace width). For buried stripline transmission lines, it is good design practice to maintain equal distance between the conductor and the ground plane on both sides.

During PCB manufacturing, over- and under-etching of traces used for transmission lines results in impedance discontinuities. Use of wide traces for transmission lines will reduce the impact of etching issues. Wide traces also help compensate for skin-effect losses in transmission lines. It should be noted, however, that the wider the traces in a differential pair, the thicker the underlying dielectric layer needs to be.

Surface mount connectors are preferred over through-mount connectors. Connectors should be selected that have controlled characteristic impedances that match the characteristic impedances of the transmission lines.

2.8 Auto Rate Detect (ARD)

For many video applications, CDR/reclockers are required to auto rate detect (ARD) the incoming data rate. MACOM has developed a reference design for an ARD implementation. The reference design includes binary files for the ARD software and a hardware reference design based on the ATMEL AT89C51Rx2 series of micro controllers. The ARD automatically configures the device for nine possible fixed data rates of 143, 177, 270, 360, 540, 1483.5, 1485, 2967, or 2970 Mbps for the M21262. If desired, customers can expand the ARD code to include operation at other data rates.

Please refer to the M2125x and M2126x ARD software description documents for details on MACOM's implementation of ARD for this device.

3.0 Registers

Table 3-1. Register Table Summary

Addr	Register Name	d7: MSB	d6	d5	d4	d3	d2	d1	d0: LSB
Common Registers									
00h	<i>Globctrl</i>	powerup	RSVD int	RSVD int	RSVD int	RSVD int	RSVD int	reserved	clear_alm
01h	<i>mux_ctrl</i>	port3[1]	port3[0]	port2[1]	port2[0]	port1[1]	port1[0]	port0[1]	port0[0]
04h	<i>Refclk_ctrl</i>	reserved	reserved	reserved	reserved	ref_divr[2]	ref_divr[1]	ref_divr[0]	RSVD int
05h	<i>Mastreset</i>	rst	rst	rst	rst	rst	rst	rst	rst
06h	<i>Chipcode</i>	chipcode[7]	chipcode[6]	chipcode[5]	chipcode[4]	chipcode[3]	chipcode[2]	chipcode[1]	chipcode[0]
07h	<i>Revcode</i>	revcode[7]	revcode[6]	revcode[5]	revcode[4]	revcode[3]	revcode[2]	revcode[1]	revcode[0]
11h	<i>BISTrx_ctrl</i>	RSVD int	rx_ctrldr	RSVD int	RSVD int	RSVD int	rx_patt[0]	en_rx	rx_rst
12h	<i>BISTrx_error</i>	err[7]	err[6]	err[5]	err[4]	err[3]	err[2]	err[1]	err[0]
14h	<i>BISTx_chsel</i>	reserved	reserved	reserved	reserved	RSVD int	RSVD int	RSVD int	tx_chan_0
15h	<i>BISTx_ctrl</i>	err_insert	rx2bclk	tx_patt[3]	tx_patt[2]	tx_patt[1]	tx_patt[0]	en_tx	tx_rst
17h	<i>BISTx_LOLctrl</i>	RSVD int	RSVD int	tacq_LOL[0]	RSVD int	RSVD int	RSVD int	narwin_LOL[0]	widwin_LOL[0]
18h	<i>BISTx_PLL_ctrlA</i>	softreset	RSVD int	reserved	RSVD int	reserved	RSVD int	reserved	RSVD int
19h	<i>BISTx_PLL_ctrlB</i>	PLLmode[1]	PLLmode[0]	RSVD int	RSVD int	data_rate[3]	data_rate[2]	data_rate[1]	data_rate[0]
1Ah	<i>BISTx_PLL_ctrlC</i>	VCO_divr[7]	VCO_divr[6]	VCO_divr[5]	VCO_divr[4]	VCO_divr[3]	VCO_divr[2]	VCO_divr[1]	VCO_divr[0]
1Bh	<i>BIST_pattern0</i>	—	—	—	—	pattern[19]	pattern[18]	pattern[17]	pattern[16]
1Ch	<i>BIST_pattern1</i>	pattern[15]	pattern[14]	pattern[13]	pattern[12]	pattern[11]	pattern[10]	pattern[9]	pattern[8]
1Dh	<i>BIST_pattern2</i>	pattern[7]	pattern[6]	pattern[5]	pattern[4]	pattern[3]	pattern[2]	pattern[1]	pattern[0]
1Fh	<i>BISTx_alarm</i>	tx_LOL	reserved	reserved	RSVD int	RSVD int	RSVD int	RSVD int	RSVD int
20h	<i>Temp_mon</i>	—	—	—	—	reserved	reserved	en_temp_mon	strobe_temp
21h	<i>Temp_value</i>	—	—	—	—	temp[3]	temp[2]	temp[1]	temp[0]
30h	<i>Alarm_LOL</i>	RSVD int	RSVD int	RSVD int	RSVD int	RSVD int	RSVD int	RSVD int	LOL
31h	<i>Alarm_LOA</i>	RSVD int	RSVD int	RSVD int	RSVD int	RSVD int	RSVD int	RSVD int	LOA
40h	<i>RCLK_ctrlA</i>	softreset	RSVD int	inh_force	RSVD int	autoinh_en	RSVD int	LOA_en	RSVD int
41h	<i>RCLK_ctrlB</i>	RCLKmode[1]	RCLKmode[0]	RSVD int	reserved	data_rate[3]	data_rate[2]	data_rate[1]	data_rate[0]
42h	<i>RCLK_ctrlC</i>	VCO_divr[7]	VCO_divr[6]	VCO_divr[5]	VCO_divr[4]	VCO_divr[3]	VCO_divr[2]	VCO_divr[1]	VCO_divr[0]
43h	<i>Out_ctrl</i>	outlv[1]	outlv[0]	reserved	reserved	data_pol_flip	dataout_en	RSVD int	RSVD int
44h	<i>Preemp_ctrl</i>	reserved	RSVD int	RSVD int	RSVD int	RSVD int	preemph[2]	preemph[1]	preemph[0]
45h	<i>Ineq_ctrl</i>	reserved	RSVD int	RSVD int	en_DCservo	RSVD int	in_eq[2]	in_eq[1]	in_eq[0]
46h	<i>Phadj_ctrl</i>	i_trim[1]	i_trim[0]	r_sel[1]	r_sel[0]	phase_adj[3]	phase_adj[2]	phase_adj[1]	phase_adj[0]
49h	<i>LOL_ctrl</i>	RSVD int	RSVD int	tacq_LOL[0]	RSVD int	RSVD int	RSVD int	narwin_LOL[0]	widwin_LOL[0]
4Ah	<i>Jitter_red</i>	RSVD int	RSVD int	RSVD int	RSVD int	RSVD int	RSVD int	RSVD int	RSVD int

3.1 Global Control Registers

Nomenclature:

1. Reserved bits: bits that exist and reserved for future use by MACOM.
2. Bits not defined and not reserved do not exist.
3. Do not write to reserved or undefined bits—operation not guaranteed.
4. MACOM internal: defines an internal function. Must always write the default value to MACOM internal bits. When in doubt, read back default value after reset.

3.1.1 Global Control

Table 3-2. Global Control (Globctrl: Address 00h)

Bits	Type	Default	Label	Description
7	R/W	1b	powerup	Powers up the IC by enabling the current references. 0b: Power down the IC 1b: Power up the IC (chip powerup)
6:2	R/W	00000b	RSVD internal	N/A
1	R/W	0b	Reserved	N/A
0	R/W	0b	clear_alm	Clears <i>Alarm_LOL</i> and <i>Alarm_LOL</i> alarm registers (write only) . 0b: Normal operation—latch alarm bits 1b: Clear alarms NOTE: Upon writing a 1b to this bit, it clears the registers, and user needs to write a 0b to enable the normal state.

3.1.2 Input Multiplexer Settings

Table 3-3. Input Multiplexer Setting (mux_ctrl: Address 01h)

Bits	Type	Default	Label	Description
7:2	R/W	111001	Reserved	N/A
1:0	R/W	00b	output	Determines input channel for output. 00b: Selects input 0 01b: Selects input 1 10b: Selects input 2 11b: Selects input 3

3.1.3 External Reference Frequency Divider Control (RFD)

Table 3-4. External Reference Frequency Divider Control (RFD) (Refclk_ctrl: Address 04h)

Bits	Type	Default	Label	Description
7:4	R/W	0b	Reserved	N/A
3:1	R/W		ref_divr	Sets the divider ratio to scale down <i>RefClk</i> to the internal rate. 000b: Divide by 1 001b: Divide by 2 010b: Divide by 4 011b: Divide by 8 100b: Divide by 12 101b: Divide by 16 110b: Divide by 32
0	R/W	0b	RSVD internal	N/A

3.1.4 Master IC Reset

Table 3-5. Master IC Reset (Mastreset: Address 05h)

Bits	Type	Default	Label	Description
7:0	R/W	0b	rst	Same feature as hardware <i>xRST</i> . Resets the entire IC. 00h: Normal operation [Default] AAh: Reset upon write to this register with AAh NOTE: All other values are ignored.

3.1.5 IC Electronic Identification

Table 3-6. IC Electronic ID (Chipcode: Address 06h)

Bits	Type	Default	Label	Description
7:0	R	TBD	chipcode	This register contains the identification of this IC.

3.1.6 IC Revision Code

Table 3-7. IC Revision Code (Revcode: Address 07h)

Bits	Type	Default	Label	Description
7:0	R	TBD	revcode	This register contains the revision of the IC.

3.1.7 Built In Self-Test (BIST) Receiver Main Control Register

Table 3-8. Built In Self-Test (BIST) Receiver Main Control Register (BISTrx_ctrl: Address 11h)

Bits	Type	Default	Label	Description
7	R/W	0b	RSVD internal	N/A
6	R/W	0b	rx_ctrclr	Clear the BIST Rx error count register, <i>BISTrx_error</i> (active when <i>BISTrx_ctrl</i> [1] = 1). 0b: Normal operation 1b: Clear register
5:2	R/W	0000b	rx_patt	Selects the BIST Rx test pattern (active when <i>BISTrx_ctrl</i> [1] = 1). 0000b: PRBS 2 ⁷ -1 0001b: PRBS 2 ¹⁵ -1 0010b: PRBS 2 ²³ -1 0011b: PRBS 2 ³¹ -1 0100b: Fibre channel CJTPAT 0101b: Fibre channel CRPAT 0110b: 8b/10b countdown pattern 0111b: 16 bit user programmable pattern 1000b: 20 bit user programmable pattern
1	R/W	0b	en_rx	Powers up the BIST Rx. 0b: Power down 1b: Power up and enable
0	R/W	1b	rx_rst	Resets the BIST Rx (recommended after powerup/enable, active when <i>BISTrx_ctrl</i> [1] = 1). 0b: Normal BIST Rx operation 1b: Reset of BIST Rx

3.1.8 Built In Self-Test (BIST) Receiver Bit Error Counter

Table 3-9. Built In Self-Test (BIST) Receiver Bit Error Counter (BISTrx_error: Address 12h)

Bits	Type	Default	Label	Description
7:0	R/W	00h	err	Bit error count (active when <i>BISTrx_ctrl</i> [1] = 1). This register is set to 00h upon reset, and is incremented for every bit error the BIST Rx receives, up to FFh. At FFh, the register will stay at this level until cleared.

3.1.9 Built In Self-Test (BIST) Transmitter Channel Select

Table 3-10. Built In Self-Test (BIST) Transmitter Channel Select (BISTtx_chsel: Address 14h)

Bits	Type	Default	Label	Description
7:4	R/W	0000b	Reserved	N/A
3:0	R/W	0000b	tx_chan	<p>Selects which input channel the BIST Tx outputs the test pattern on (active when <i>BISTtx_ctrl</i> [1] = 1).</p> <p>Bit map: 1b = BIST Tx on, 0b = BIST Tx off</p> <p>[3]: N/A, set to '0'</p> <p>[2]: N/A, set to '0'</p> <p>[1]: Input channel 1</p> <p>[0]: Input channel 0</p> <p>NOTE: Registers are set up to allow for multicasting BIST Tx output.</p>

3.1.10 Built In Self-Test (BIST) Transmitter Main Control Register

Table 3-11. Built In Self-Test (BIST) Transmitter Main Control Register (BISTtx_ctrl: Address 15h)

Bits	Type	Default	Label	Description
7	R/W	0b	err_insert	<p>Inserts a single bit error into the PRBS Tx.</p> <p>0b: Normal operation 1b: Insert error</p> <p>NOTE: Setting the register high allows one error to be inserted into the data stream. To insert another error, the user needs to clear, then set this register bit.</p>
6	R/W	0b	rx2txclk	<p>Selects the source of the clock for the BIST Tx PLL (active when <i>BISTtx_ctrl</i> [1] = 1).</p> <p>0b: External reference frequency 1b: Recovered clock from BIST Rx</p> <p>NOTE: For the recovered clock option, the BIST Rx must be enabled with <i>BISTrx_ctrl</i> [1] = 1, and use the recovered clock from the same CDR/RCLK selected by BIST Rx. This option only works for the full-rate case.</p>
5:2	R/W	0000b	tx_patt	<p>Selects the BIST Tx test pattern (active when <i>BISTtx_ctrl</i> [1] = 1).</p> <p>0000b: PRBS 2⁷-1 0001b: PRBS 2¹⁵-1 0010b: PRBS 2²³-1 0011b: PRBS 2³¹-1 0100b: Fibre channel CJTPAT 0101b: Fibre channel CRPAT 0110b: 8b/10b countdown pattern 0111b: 16 bit user programmable pattern 1000b: 20 bit user programmable pattern</p>
1	R/W	0b	en_tx	<p>Powers up the BIST Tx and PLL.</p> <p>0b: Power down 1b: Power up and enable</p>
0	R/W	1b	tx_rst	<p>Resets the BIST Tx (recommended after powerup/enable; active when <i>BISTtx_ctrl</i> [1] = 1).</p> <p>0b: Normal BIST Tx operation 1b: Reset of BIST Tx</p>

3.1.11 Built In Self-Test (BIST) Transmitter PLL Loss of Lock Register

Table 3-12. Built In Self-Test (BIST) Transmitter PLL Loss of Lock Register
(BISTtx_LOLctrl: Address 17h) (1 of 2)

Bits	Type	Default	Label	Description																																		
7:5	R/W	101b	tacq_LOL	<p>Sets the value for the LOL reference window.</p> <table border="1"> <thead> <tr> <th>Code</th> <th>Value</th> </tr> </thead> <tbody> <tr><td>000b</td><td>128</td></tr> <tr><td>001b</td><td>256</td></tr> <tr><td>010b</td><td>512</td></tr> <tr><td>011b</td><td>1024</td></tr> <tr><td>100b</td><td>2048</td></tr> <tr><td>101b</td><td>4096</td></tr> <tr><td>110b</td><td>8192</td></tr> <tr><td>111b</td><td>16384</td></tr> </tbody> </table>	Code	Value	000b	128	001b	256	010b	512	011b	1024	100b	2048	101b	4096	110b	8192	111b	16384																
Code	Value																																					
000b	128																																					
001b	256																																					
010b	512																																					
011b	1024																																					
100b	2048																																					
101b	4096																																					
110b	8192																																					
111b	16384																																					
4:1	R/W	0011b	narwin_LOL	<p>Sets the narrow LOL window for the LOL = H to LOL = L transition (transition to in lock threshold).</p> <table border="1"> <thead> <tr> <th>Code</th> <th>Value</th> </tr> </thead> <tbody> <tr><td>0000b</td><td>2</td></tr> <tr><td>0001b</td><td>3</td></tr> <tr><td>0010b</td><td>4</td></tr> <tr><td>0011b</td><td>6</td></tr> <tr><td>0100b</td><td>8</td></tr> <tr><td>0101b</td><td>12</td></tr> <tr><td>0110b</td><td>16</td></tr> <tr><td>0111b</td><td>24</td></tr> <tr><td>1000b</td><td>9</td></tr> <tr><td>1001b</td><td>10</td></tr> <tr><td>1010b</td><td>11</td></tr> <tr><td>1011b</td><td>12</td></tr> <tr><td>1100b</td><td>13</td></tr> <tr><td>1101b</td><td>14</td></tr> <tr><td>1110b</td><td>15</td></tr> <tr><td>1111b</td><td>32</td></tr> </tbody> </table>	Code	Value	0000b	2	0001b	3	0010b	4	0011b	6	0100b	8	0101b	12	0110b	16	0111b	24	1000b	9	1001b	10	1010b	11	1011b	12	1100b	13	1101b	14	1110b	15	1111b	32
Code	Value																																					
0000b	2																																					
0001b	3																																					
0010b	4																																					
0011b	6																																					
0100b	8																																					
0101b	12																																					
0110b	16																																					
0111b	24																																					
1000b	9																																					
1001b	10																																					
1010b	11																																					
1011b	12																																					
1100b	13																																					
1101b	14																																					
1110b	15																																					
1111b	32																																					

Table 3-12. Built In Self-Test (BIST) Transmitter PLL Loss of Lock Register (BISTtx_LOLctrl: Address 17h) (2 of 2)

Bits	Type	Default	Label	Description																																																			
0	R/W	0b	widwin_LOL	<p>Sets the wide LOL window for the LOL = L to LOL = H transition (transition to out of lock threshold).</p> <table border="1"> <thead> <tr> <th>Narrow Code</th> <th>Wide Code 0b</th> <th>Wide Code 1b</th> </tr> </thead> <tbody> <tr><td>0000b</td><td>3</td><td>8</td></tr> <tr><td>0001b</td><td>4</td><td>12</td></tr> <tr><td>0010b</td><td>6</td><td>16</td></tr> <tr><td>0011b</td><td>8</td><td>24</td></tr> <tr><td>0100b</td><td>12</td><td>32</td></tr> <tr><td>0101b</td><td>16</td><td>32</td></tr> <tr><td>0110b</td><td>24</td><td>32</td></tr> <tr><td>0111b</td><td>32</td><td>32</td></tr> <tr><td>1000b</td><td>12</td><td>32</td></tr> <tr><td>1001b</td><td>12</td><td>32</td></tr> <tr><td>1010b</td><td>12</td><td>32</td></tr> <tr><td>1011b</td><td>16</td><td>32</td></tr> <tr><td>1100b</td><td>16</td><td>32</td></tr> <tr><td>1101b</td><td>16</td><td>32</td></tr> <tr><td>1110b</td><td>16</td><td>32</td></tr> <tr><td>1111b</td><td>32</td><td>32</td></tr> </tbody> </table>	Narrow Code	Wide Code 0b	Wide Code 1b	0000b	3	8	0001b	4	12	0010b	6	16	0011b	8	24	0100b	12	32	0101b	16	32	0110b	24	32	0111b	32	32	1000b	12	32	1001b	12	32	1010b	12	32	1011b	16	32	1100b	16	32	1101b	16	32	1110b	16	32	1111b	32	32
Narrow Code	Wide Code 0b	Wide Code 1b																																																					
0000b	3	8																																																					
0001b	4	12																																																					
0010b	6	16																																																					
0011b	8	24																																																					
0100b	12	32																																																					
0101b	16	32																																																					
0110b	24	32																																																					
0111b	32	32																																																					
1000b	12	32																																																					
1001b	12	32																																																					
1010b	12	32																																																					
1011b	16	32																																																					
1100b	16	32																																																					
1101b	16	32																																																					
1110b	16	32																																																					
1111b	32	32																																																					
<p>NOTE: Default value applies to reference based frequency acquisition.</p>																																																							

3.1.12 Built In Self-Test (BIST) Transmitter PLL Control Register A

Table 3-13. Built In Self-Test (BIST) Transmitter PLL Control Register A (BISTtx_PLL_ctrlA: Address 18h)

Bits	Type	Default	Label	Description
7	R/W	0b	softreset	<p>Resets the BIST transmitter PLL (assuming BISTtx_ctrl [1] = 1b).</p> <p>0b: Normal operation 1b: Reset PLL only</p>
6	R/W	0b	RSVD internal	N/A
5	R/W	0b	Reserved	N/A
4	R/W	0b	RSVD internal	N/A
3	R/W	0b	Reserved	N/A
2	R/W	1b	RSVD internal	N/A
1	R/W	0b	Reserved	N/A
0	R/W	1b	RSVD internal	N/A

3.1.13 Built In Self-Test (BIST) Transmitter PLL Control Register B

Table 3-14. Built In Self-Test (BIST) Transmitter PLL Control Register B (BISTtx_PLL_ctrlB: Address 19h)

Bits	Type	Default	Label	Description
7:6	R/W	11b	PLLmode	Determines state of the PLL. Must be enabled in addition to the BIST Tx (BISTtx_ctrl [1] = 1b). 00b: Channel active, PLL powered up 11b: Channel active, PLL powered down
5:4	R/W	01b	RSVD internal	N/A
3:0	R/W	0000b	data_rate	Data rate divider (DRD): this divides down the VCO frequency to the desired data rate. 0000b = VCO/1 0001b = VCO/2 0010b = VCO/4 0011b = VCO/8 0100b = VCO/12 0101b = VCO/16 0110b = VCO/24 0111b = VCO/32 1000b = VCO/48 NOTE: Please consult $F_{vco, max}$ and $F_{vco, min}$ to determine the frequency range of each DRD ratio.

3.1.14 Built In Self-Test (BIST) Transmitter PLL Control Register C

Table 3-15. Built In Self-Test (BIST) Transmitter PLL Control Register C (BISTtx_PLL_ctrlC: Address 1Ah)

Bits	Type	Default	Label	Description
7:0	R/W	10000000b	VCO_div	VCO comparison divider (VCD): this divider divides down the VCO to compare it with the divided down reference. Binary value reflects the divider ratio 01h: Minimum value (VCO /1) . . . FFh: Maximum value (VCO / 255)

3.1.15 Built In Self-Test (BIST) Transmitter 20 bit User Programmable Pattern

Table 3-16. Built In Self-Test (BIST) Transmitter 20 bit User Programmable Pattern (BIST_pattern0: Address 1Bh)

Bits	Type	Default	Label	Description
3:0	R/W	1100b	pattern	Sets the 20 bit user programmable pattern used in the BIST. [3] MSB : Pattern bit#19 [2] : Pattern bit#18 [1] : Pattern bit#17 [0] LSB : Pattern bit#16

3.1.16 Built In Self-Test (BIST) Transmitter 16/20 bit User Programmable Pattern

Table 3-17. Built In Self-Test (BIST) Transmitter 16/20 bit User Programmable Pattern (BIST_pattern1: Address 1Ch)

Bits	Type	Default	Label	Description
7:0	R/W	11001100b	pattern	Sets the 16/20 bit user programmable pattern used in the BIST. [7] MSB : Pattern bit#15 [6] : Pattern bit#14 [5] : Pattern bit#13 [4] : Pattern bit#12 [3] : Pattern bit#11 [2] : Pattern bit#10 [1] : Pattern bit#9 [0] LSB : Pattern bit#8

3.1.17 Built In Self-Test (BIST) Transmitter 16/20 bit User Programmable Pattern

Table 3-18. Built In Self-Test (BIST) Transmitter 16/20 bit User Programmable Pattern (BIST_pattern2: Address 1Dh)

Bits	Type	Default	Label	Description
7:0	R/W	11001100b	pattern	Sets the 16/20 bit user programmable pattern used in the BIST. [7] MSB : Pattern bit#7 [6] : Pattern bit#6 [5] : Pattern bit#5 [4] : Pattern bit#4 [3] : Pattern bit#3 [2] : Pattern bit#2 [1] : Pattern bit#1 [0] LSB : Pattern bit#0

3.1.18 Built In Self-Test (BIST) Transmitter Alarm

Table 3-19. Built In Self-Test (BIST) Transmitter Alarm (BISTtx_alarm: Address 1Fh)

Bits	Type	Default	Label	Description
7	R	0b	tx_LOL	Loss of lock for the BIST Tx PLL (active when <i>BISTtx_ctrl</i> [1] = 1). 0b: Normal operation 1b: Loss of lock
6:5	R/W	00b	Reserved	N/A
4:0	R/W	00000b	RSVD internal	N/A

3.1.19 Internal Junction Temperature Monitor

Table 3-20. Internal Junction Temperature Monitor (Temp_mon: Address 20h)

Bits	Type	Default	Label	Description
3:2	R/W	00b	Reserved	N/A
1	R/W	0b	en_temp_mon	Power up and enable the temperature monitor. 0b: Disable temperature monitor 1b: Enable and power up temperature monitor
0	R/W	0b	strobe_temp	Strobes ADC for temperature measurement. 0b: Ok to read temperature 1b: Read temperature NOTE: To strobe ADC, a rising edge should be provided by writing 1b, then writing 0b to return to default state.

3.1.20 Internal Junction Temperature Value

Table 3-21. Internal Junction Temperature Value (Temp_value: Address 21h)

Bits	Type	Default	Label	Description																																										
3:0	R	N/A	temp	<p>A read of these bits returns the temperature from the last write cycle (to strobe_temp).</p> <table border="1"> <thead> <tr> <th>Case Temperature</th> <th>Temp</th> <th>Condition</th> </tr> </thead> <tbody> <tr> <td>$T_c \geq 130^\circ\text{C}$</td> <td>1100b</td> <td>High-alarm</td> </tr> <tr> <td>$130^\circ\text{C} > T_c \geq 120^\circ\text{C}$</td> <td>1011b</td> <td>High-alarm</td> </tr> <tr> <td>$120^\circ\text{C} > T_c \geq 110^\circ\text{C}$</td> <td>1010b</td> <td>High-warning</td> </tr> <tr> <td>$110^\circ\text{C} > T_c \geq 100^\circ\text{C}$</td> <td>1001b</td> <td>Normal</td> </tr> <tr> <td>$100^\circ\text{C} > T_c \geq 90^\circ\text{C}$</td> <td>1000b</td> <td>Normal</td> </tr> <tr> <td>$90^\circ\text{C} > T_c \geq 80^\circ\text{C}$</td> <td>0111b</td> <td>Normal</td> </tr> <tr> <td>$80^\circ\text{C} > T_c \geq 10^\circ\text{C}$</td> <td>0110b</td> <td>Normal</td> </tr> <tr> <td>$10^\circ\text{C} > T_c \geq 0^\circ\text{C}$</td> <td>0101b</td> <td>Normal</td> </tr> <tr> <td>$0^\circ\text{C} > T_c \geq -10^\circ\text{C}$</td> <td>0100b</td> <td>Normal</td> </tr> <tr> <td>$-10^\circ\text{C} > T_c \geq -20^\circ\text{C}$</td> <td>0011b</td> <td>Normal</td> </tr> <tr> <td>$-20^\circ\text{C} > T_c \geq -30^\circ\text{C}$</td> <td>0010b</td> <td>Low-warning</td> </tr> <tr> <td>$-30^\circ\text{C} > T_c \geq -40^\circ\text{C}$</td> <td>0001b</td> <td>Low-alarm</td> </tr> <tr> <td>$-40^\circ\text{C} > T_c$</td> <td>0000b</td> <td>Low-alarm</td> </tr> </tbody> </table>	Case Temperature	Temp	Condition	$T_c \geq 130^\circ\text{C}$	1100b	High-alarm	$130^\circ\text{C} > T_c \geq 120^\circ\text{C}$	1011b	High-alarm	$120^\circ\text{C} > T_c \geq 110^\circ\text{C}$	1010b	High-warning	$110^\circ\text{C} > T_c \geq 100^\circ\text{C}$	1001b	Normal	$100^\circ\text{C} > T_c \geq 90^\circ\text{C}$	1000b	Normal	$90^\circ\text{C} > T_c \geq 80^\circ\text{C}$	0111b	Normal	$80^\circ\text{C} > T_c \geq 10^\circ\text{C}$	0110b	Normal	$10^\circ\text{C} > T_c \geq 0^\circ\text{C}$	0101b	Normal	$0^\circ\text{C} > T_c \geq -10^\circ\text{C}$	0100b	Normal	$-10^\circ\text{C} > T_c \geq -20^\circ\text{C}$	0011b	Normal	$-20^\circ\text{C} > T_c \geq -30^\circ\text{C}$	0010b	Low-warning	$-30^\circ\text{C} > T_c \geq -40^\circ\text{C}$	0001b	Low-alarm	$-40^\circ\text{C} > T_c$	0000b	Low-alarm
Case Temperature	Temp	Condition																																												
$T_c \geq 130^\circ\text{C}$	1100b	High-alarm																																												
$130^\circ\text{C} > T_c \geq 120^\circ\text{C}$	1011b	High-alarm																																												
$120^\circ\text{C} > T_c \geq 110^\circ\text{C}$	1010b	High-warning																																												
$110^\circ\text{C} > T_c \geq 100^\circ\text{C}$	1001b	Normal																																												
$100^\circ\text{C} > T_c \geq 90^\circ\text{C}$	1000b	Normal																																												
$90^\circ\text{C} > T_c \geq 80^\circ\text{C}$	0111b	Normal																																												
$80^\circ\text{C} > T_c \geq 10^\circ\text{C}$	0110b	Normal																																												
$10^\circ\text{C} > T_c \geq 0^\circ\text{C}$	0101b	Normal																																												
$0^\circ\text{C} > T_c \geq -10^\circ\text{C}$	0100b	Normal																																												
$-10^\circ\text{C} > T_c \geq -20^\circ\text{C}$	0011b	Normal																																												
$-20^\circ\text{C} > T_c \geq -30^\circ\text{C}$	0010b	Low-warning																																												
$-30^\circ\text{C} > T_c \geq -40^\circ\text{C}$	0001b	Low-alarm																																												
$-40^\circ\text{C} > T_c$	0000b	Low-alarm																																												

3.1.21 CDR/RCLK Loss of Lock Register Alarm Status

Table 3-22. CDR/RCLK Loss of Lock Register Alarm Status (Alarm_LOL: Address 30h)

Bits	Type	Default	Label	Description
7:1	N/A	0000000b	RSVD internal	N/A
0	R	N/A	LOL	<p>Latched loss of lock alarm status.</p> <p>0b = normal operation 1b = loss of CDR/RCLK lock</p> <p>NOTE: After a clear (<i>Globctrl</i> [0] = 1), this register is cleared and will latch any new alarms that make a L to H transition, and set any pre-existing alarm conditions to H.</p>

3.1.22 CDR/RCLK Loss of Activity Register Alarm Status

Table 3-23. CDR/RCLK Loss of Activity Register Alarm Status (Alarm_LOA: Address 31h)

Bits	Type	Default	Label	Description
7:1	N/A	0000000b	RSVD internal	N/A
0	R	N/A	LOL	<p>0b = LOA alarm de-asserted 1b = LOA alarm asserted</p> <p>NOTE: After a clear (<i>Globctrl</i> [0] = 1), this register is cleared and will latch any new alarms that make a L to H transition, and set any pre-existing alarm conditions to H.</p>

3.1.23 CDR/RCLK Control Register A

Table 3-24. CDR/RCLK Control Register A (*RCLK_ctrlA*: Address 40h)

Bits	Type	Default	Label	Description
7	R/W	0b	softreset	Resets individual CDR/RCLK (setup registers remain unchanged; need to softreset after rate change). 0b: Normal operation 1b: Reset single CDR/RCLK only
6	R/W	0b	RSVD internal	N/A
5	R/W	0b	inh_force	Manual control of the output inhibit if <i>RCLK_ctrlA</i> [3] = 0. 0b: Normal operation 1b: Forced inhibit
4	R/W	0b	RSVD internal	N/A
3	R/W	1b	autoinh_en	Auto inhibit of the output (DoutP = H, DoutN = L) if CDR/RCLK has a LOL condition. 0b: Auto inhibit disabled, <i>RCLK_ctrlA</i> [5] determines inhibit force state 1b: Auto inhibit enabled
2	R/W	1b	RSVD internal	N/A
1	R/W	1b	RSVD internal	N/A
0	R/W	1b	RSVD internal	N/A

3.1.24 CDR/RCLK Control Register B

Table 3-25. CDR/RCLK Control Register B (RCLK_ctrlB: Address 41h)

Bits	Type	Default	Label	Description
7:6	R/W	00b	RCLKmode	Determines state of the PLL. 00b: CDR/RCLK powered up and active 01b: CDR/RCLK powered up and bypassed 10b: CDR/RCLK powered down (no signal through) 11b: CDR/RCLK powered down and bypassed
5	R/W	0b	RSVD internal	N/A
4	R/W	0b	Reserved	N/A
3:0	R/W	0000b	data_rate	Data rate divider (DRD): this divides down the VCO frequency to the desired data rate to match input data rate. 0000b = VCO/1 0001b = VCO/2 0010b = VCO/4 0011b = VCO/8 0100b = VCO/12 0101b = VCO/16 0110b = VCO/24 0111b = VCO/32 1000b = VCO/48 NOTE: Please consult $F_{vco, max}$ and $F_{vco, min}$ to determine frequency range of each DRD ratio.

3.1.25 CDR/RCLK Control Register C

Table 3-26. CDR/RCLK N Control Register C (RCLK_ctrlC: Address 42h)

Bits	Type	Default	Label	Description
7:0	R/W	10000000b	VCO_divr	VCO comparison divider (VCD): this divides down the VCO, to compare it with the scaled reference clock. Binary value reflects the divider ratio. 1h: Minimum value (VCO / 1) . . . FFh: Maximum value (VCO / 255)

3.1.26 Output Buffer Control for CDR/RCLK

Table 3-27. Output Buffer Control for CDR/RCLK (Out_ctrl: Address 43h)

Bits	Type	Default	Label	Description
7:6	R/W	10b	outlvl	<p>Determines the output swing of a data buffer for CDR/RCLK.</p> <p>In PCML mode:</p> <p>00b: Power down 01b: 500 mV 10b: 900 mV 11b: 1200 mV</p> <p>For LVDS, the output swing is reduced to:</p> <p>00b: Power down 01b: RRL 390 mV 10b: GPL 700 mV 11b: 940 mV</p> <p>For LVPECL, the output swing is increased to:</p> <p>00b: Power down 01b: 900 mV 10b: Standard (low specification side) 1200 mV 11b: Standard (nominal) 1600 mV</p> <p>For InfiniBand, the output swing is increased to:</p> <p>00b: Power down 01b: 900 mV 10b: 1200 mV 11b: Standard (nominal) 1400 mV</p>
5:4	R/W	00b	Reserved	N/A
3	R/W	0b	data_pol_flip	<p>Flips the polarity of the output data.</p> <p>0b: Normal 1b: Polarity flip</p>
2	R/W	1b	dataout_en	<p>Enables the data output driver.</p> <p>0b: Data output disabled and powered down 1b: Data output enabled to level specified in <i>Out_ctrl</i> [7:6]</p>
1:0	R/W	00b	RSVD internal	N/A

3.1.27 Output Buffer Pre-Emphasis Control for Output

Table 3-28. Output Buffer Pre-Emphasis Control for Output (Preemp_ctrl: Address 44h)

Bits	Type	Default	Label	Description
7	R/W	0b	Reserved	Default = 0b
6:3	R/W	1000b	RSVD Internal	N/A
2:0	R/W	000b	preemph	Selects the pre-emphasis level. 000b: Pre-emphasis off 001b: 25% 010b: 37.5% 011b: 50% 100b: 75% 101b: 100% 110b: 150% 111b: 200%

3.1.28 Input Equalization Control for Output

Table 3-29. Input Equalization Control for Output (Ineq_ctrl: Address 45h)

Bits	Type	Default	Label	Description
7	R/W	0b	Reserved	N/A
6:5	R/W	00b	RSVD internal	N/A
4	R/W	0b	en_DCservo	Enables DC servo in the input channel to remove offset based deterministic jitter. 0b: DC servo D _j attenuator off 1b: DC servo D _j attenuator on
3	R/W	0b	RSVD internal	N/A
2:0	R/W	100b	in_eq	Selects the input equalization level. 000b: Input equalization disabled 001b: Minimum input equalization level . . . 100b: Nominal input equalization level . . . 111b: Maximum input equalization level NOTE: The 100b setting is optimized for PCB trace lengths between 10–46 inches, although other settings may be optimal for some applications.

3.1.29 CDR/RCLK Loop Bandwidth and Data Sampling Point Adjust

Table 3-30. CDR/RCLK Loop Bandwidth and Data Sampling Point Adjust (Phadj_ctrl: Address 46h)

Bits	Type	Default	Label	Description
7:6	R/W	10b	i_trim	Adjusts the charge-pump current; the loop bandwidth (F_{LBW}) scales proportionately. 00b: 0.65x 01b: 0.8x 10b: Nominal 11b: 1.15x
5:4	R/W	01b	r_sel	Adjusts the resistor of the CDR/RCLK loop filter; the loop bandwidth (F_{LBW}) scales proportionately. 00b: 80% of the nominal value 01b: Nominal 10b: 4x nominal value 11b: 6x nominal value
3:0	R/W	0000b	phase_adj	Adjusts the static phase offset (sampling point) of the data. 1111b: -122.5 mUI 1110b: -105 mUI 1101b: 87.5 mUI 1100b: -70 mUI 1011b: -52.5 mUI 1010b: -35.0 mUI 1001b: -17.5 mUI 1000b: 0 mUI 0000b: 0 mUI 0001b: 17.5 mUI 0010b: 35.0 mUI 0011b: 52.5 mUI 0100b: 70.0 mUI 0101b: 87.5 mUI 0110b: 105 mUI 0111b: 122.5 mUI

3.1.30 CDR/RCLK LOL Window Control

Table 3-31. CDR/RCLK LOL Window Control (LOL_ctrl: Address 49h) (1 of 2)

Bits	Type	Default	Label	Description																																		
7:5	R/W	101b	tacq_LOL	<p>Sets the value for the LOL reference window.</p> <table border="1"> <thead> <tr> <th>Code</th> <th>Value</th> </tr> </thead> <tbody> <tr><td>000b</td><td>128</td></tr> <tr><td>001b</td><td>256</td></tr> <tr><td>010b</td><td>512</td></tr> <tr><td>011b</td><td>1024</td></tr> <tr><td>100b</td><td>2048</td></tr> <tr><td>101b</td><td>4096</td></tr> <tr><td>110b</td><td>8192</td></tr> <tr><td>111b</td><td>16384</td></tr> </tbody> </table>	Code	Value	000b	128	001b	256	010b	512	011b	1024	100b	2048	101b	4096	110b	8192	111b	16384																
Code	Value																																					
000b	128																																					
001b	256																																					
010b	512																																					
011b	1024																																					
100b	2048																																					
101b	4096																																					
110b	8192																																					
111b	16384																																					
4:1	R/W	0011b	narwin_LOL	<p>Sets the narrow LOL window for the LOL = H to LOL = L transition (transition to in lock threshold).</p> <table border="1"> <thead> <tr> <th>Code</th> <th>Value</th> </tr> </thead> <tbody> <tr><td>0000b</td><td>2</td></tr> <tr><td>0001b</td><td>3</td></tr> <tr><td>0010b</td><td>4</td></tr> <tr><td>0011b</td><td>6</td></tr> <tr><td>0100b</td><td>8</td></tr> <tr><td>0101b</td><td>12</td></tr> <tr><td>0110b</td><td>16</td></tr> <tr><td>0111b</td><td>24</td></tr> <tr><td>1000b</td><td>9</td></tr> <tr><td>1001b</td><td>10</td></tr> <tr><td>1010b</td><td>11</td></tr> <tr><td>1011b</td><td>12</td></tr> <tr><td>1100b</td><td>13</td></tr> <tr><td>1101b</td><td>14</td></tr> <tr><td>1110b</td><td>15</td></tr> <tr><td>1111b</td><td>32</td></tr> </tbody> </table>	Code	Value	0000b	2	0001b	3	0010b	4	0011b	6	0100b	8	0101b	12	0110b	16	0111b	24	1000b	9	1001b	10	1010b	11	1011b	12	1100b	13	1101b	14	1110b	15	1111b	32
Code	Value																																					
0000b	2																																					
0001b	3																																					
0010b	4																																					
0011b	6																																					
0100b	8																																					
0101b	12																																					
0110b	16																																					
0111b	24																																					
1000b	9																																					
1001b	10																																					
1010b	11																																					
1011b	12																																					
1100b	13																																					
1101b	14																																					
1110b	15																																					
1111b	32																																					

Table 3-31. CDR/RCLK LOL Window Control (LOL_ctrl: Address 49h) (2 of 2)

Bits	Type	Default	Label	Description																																																			
0	R/W	0b	widwin_LOL	<p>Sets the wide LOL window for the LOL = L to LOL = H transition (transition to out of lock threshold).</p> <table border="1"> <thead> <tr> <th>Narrow Code</th> <th>Wide Code 0b</th> <th>Wide Code 1b</th> </tr> </thead> <tbody> <tr><td>0000b</td><td>3</td><td>8</td></tr> <tr><td>0001b</td><td>4</td><td>12</td></tr> <tr><td>0010b</td><td>6</td><td>16</td></tr> <tr><td>0011b</td><td>8</td><td>24</td></tr> <tr><td>0100b</td><td>12</td><td>32</td></tr> <tr><td>0101b</td><td>16</td><td>32</td></tr> <tr><td>0110b</td><td>24</td><td>32</td></tr> <tr><td>0111b</td><td>32</td><td>32</td></tr> <tr><td>1000b</td><td>12</td><td>32</td></tr> <tr><td>1001b</td><td>12</td><td>32</td></tr> <tr><td>1010b</td><td>12</td><td>32</td></tr> <tr><td>1011b</td><td>16</td><td>32</td></tr> <tr><td>1100b</td><td>16</td><td>32</td></tr> <tr><td>1101b</td><td>16</td><td>32</td></tr> <tr><td>1110b</td><td>16</td><td>32</td></tr> <tr><td>1111b</td><td>32</td><td>32</td></tr> </tbody> </table>	Narrow Code	Wide Code 0b	Wide Code 1b	0000b	3	8	0001b	4	12	0010b	6	16	0011b	8	24	0100b	12	32	0101b	16	32	0110b	24	32	0111b	32	32	1000b	12	32	1001b	12	32	1010b	12	32	1011b	16	32	1100b	16	32	1101b	16	32	1110b	16	32	1111b	32	32
Narrow Code	Wide Code 0b	Wide Code 1b																																																					
0000b	3	8																																																					
0001b	4	12																																																					
0010b	6	16																																																					
0011b	8	24																																																					
0100b	12	32																																																					
0101b	16	32																																																					
0110b	24	32																																																					
0111b	32	32																																																					
1000b	12	32																																																					
1001b	12	32																																																					
1010b	12	32																																																					
1011b	16	32																																																					
1100b	16	32																																																					
1101b	16	32																																																					
1110b	16	32																																																					
1111b	32	32																																																					

3.1.31 Jitter Reduction Control

Table 3-32. Jitter Reduction Control (Jitter_reduc: Address 4Ah)

Bits	Type	Default	Label	Description
7:6	R/W	01b	RSVD internal	N/A
5	R/W	0b	lowjitter	<p>When data rate is in the range (2.45 Gbps–2.55 Gbps)/DRD, setting this bit to 1b will reduce output jitter (DRD is data rate divider).</p> <p>0b: Normal operation 1b: Reduce output jitter</p> <p>NOTE: This bit should be set to 1b for SONET STS-N, and Gigabit Ethernet applications.</p>
4:0	R/W		RSVD internal	Any value may be written to this register with no effect on performance.

Appendix

A.1 Glossary of Terms/Acronyms

BER	Bit Error Rate
BIST	Built-In Self Test
RCLK	Reclocker
DRD	Data Rate Divider
EVM	Evaluation Module
FLL	Frequency Lock Loop
FRA	Frequency Reference Acquisition
ISI	Inter Symbol Interference
LOA	Loss of Activity
LOL	Loss of Lock
LOLCir	Loss of Lock Circuitry
MLF	Micro Lead Frame
NRW	Narrow Reference Window
PCB	Printed Circuit Board
PLL	Phase Lock Loop
RFD	Reference Frequency Divider
SONET	Synchronous Optical Network
VCD	VCO Comparison Divider
WRW	Wide Reference Window
XPTS	Crosspoint Switch

A.2 Reference Documents

A.2.1 External

The following external documents were referenced in this data sheet.

- Synchronous Optical Network (SONET) Transport Systems: Common Generic Criteria GR-253-CORE
- The I²C Bus Specification version 2.1
- InfiniBand Architecture Specification Volume 2 Release 1.1
- Serial ATA: High Speed Serialized AT Attachment revision 1.0a
- Fibre Channel—Methodologies for Jitter and Signal Quality Specification—MJSQ
- Application Notes for Surface Mount Assembly of Amkor's Micro Lead Frame (MLF) Packages
- Amkor Technology Thermal Test Report TT-00-06
- SMPTE 292M, SMPTE 259M, SMPTE 344M
- DVB-ASI

A.2.2 MACOM

The following MACOM documents were referenced in this data sheet.

- Application Note: Equipment Protection Switching Using Low-Cost Crosspoint Elements
- M2125x and M2126x ARD Software Description (212xx-SWG-001)
- Jitter tolerance and generation of MACOM crosspoint switches and CDR arrays (2110x-APP-003)

M/A-COM Technology Solutions Inc. All rights reserved.

Information in this document is provided in connection with M/A-COM Technology Solutions Inc ("MACOM") products. These materials are provided by MACOM as a service to its customers and may be used for informational purposes only. Except as provided in MACOM's Terms and Conditions of Sale for such products or in any separate agreement related to this document, MACOM assumes no liability whatsoever. MACOM assumes no responsibility for errors or omissions in these materials. MACOM may make changes to specifications and product descriptions at any time, without notice. MACOM makes no commitment to update the information and shall have no responsibility whatsoever for conflicts or incompatibilities arising from future changes to its specifications and product descriptions. No license, express or implied, by estoppel or otherwise, to any intellectual property rights is granted by this document.

THESE MATERIALS ARE PROVIDED "AS IS" WITHOUT WARRANTY OF ANY KIND, EITHER EXPRESS OR IMPLIED, RELATING TO SALE AND/OR USE OF MACOM PRODUCTS INCLUDING LIABILITY OR WARRANTIES RELATING TO FITNESS FOR A PARTICULAR PURPOSE, CONSEQUENTIAL OR INCIDENTAL DAMAGES, MERCHANTABILITY, OR INFRINGEMENT OF ANY PATENT, COPYRIGHT OR OTHER INTELLECTUAL PROPERTY RIGHT. MACOM FURTHER DOES NOT WARRANT THE ACCURACY OR COMPLETENESS OF THE INFORMATION, TEXT, GRAPHICS OR OTHER ITEMS CONTAINED WITHIN THESE MATERIALS. MACOM SHALL NOT BE LIABLE FOR ANY SPECIAL, INDIRECT, INCIDENTAL, OR CONSEQUENTIAL DAMAGES, INCLUDING WITHOUT LIMITATION, LOST REVENUES OR LOST PROFITS, WHICH MAY RESULT FROM THE USE OF THESE MATERIALS.

MACOM products are not intended for use in medical, lifesaving or life sustaining applications. MACOM customers using or selling MACOM products for use in such applications do so at their own risk and agree to fully indemnify MACOM for any damages resulting from such improper use or sale.