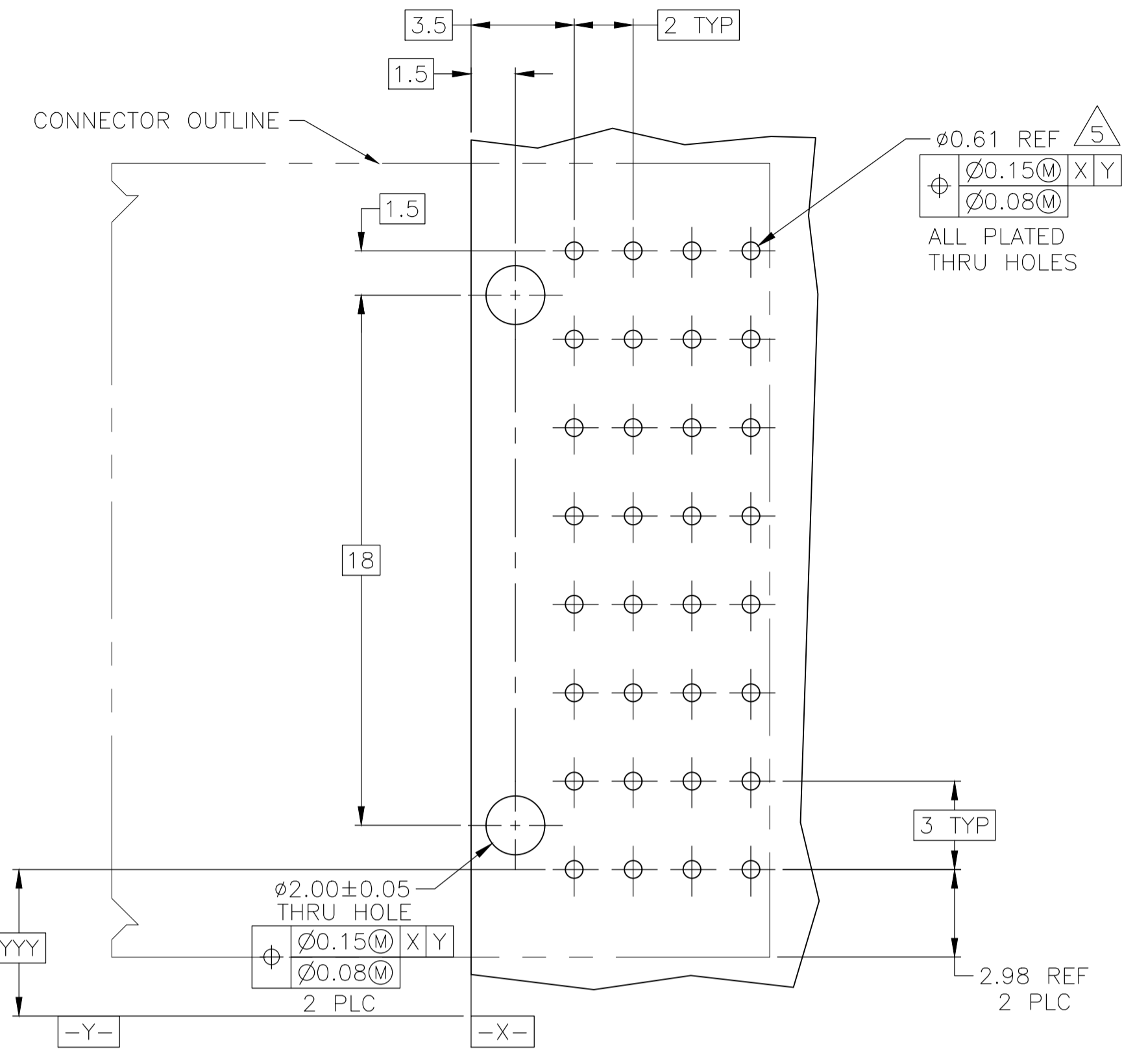
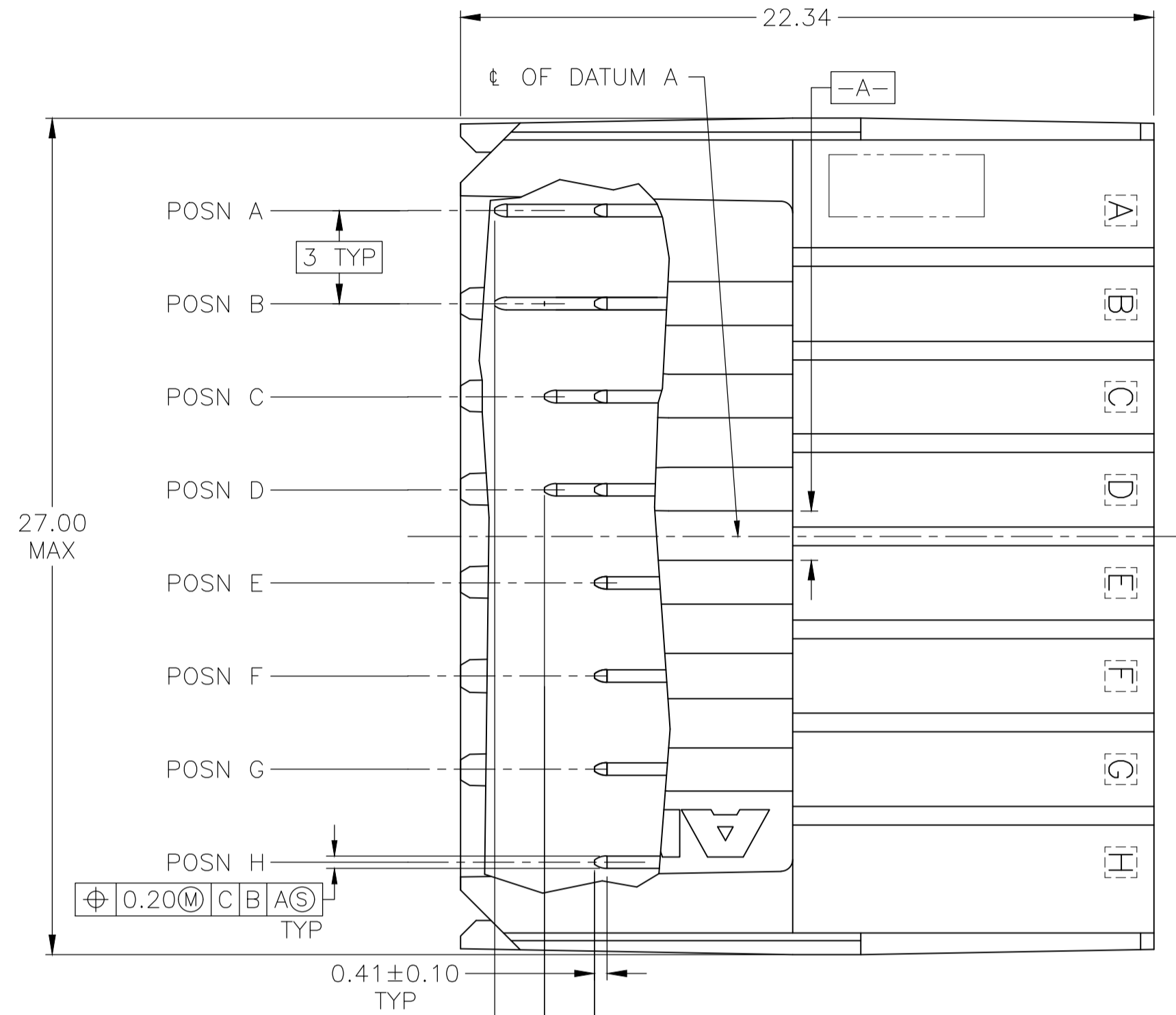


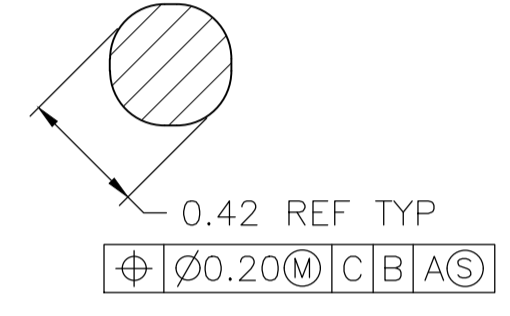
REVISIONS				
P	LTR	DESCRIPTION	DATE	APP'D
E1	REV PER	ECO-20-004668	04JAN11	ML SZ



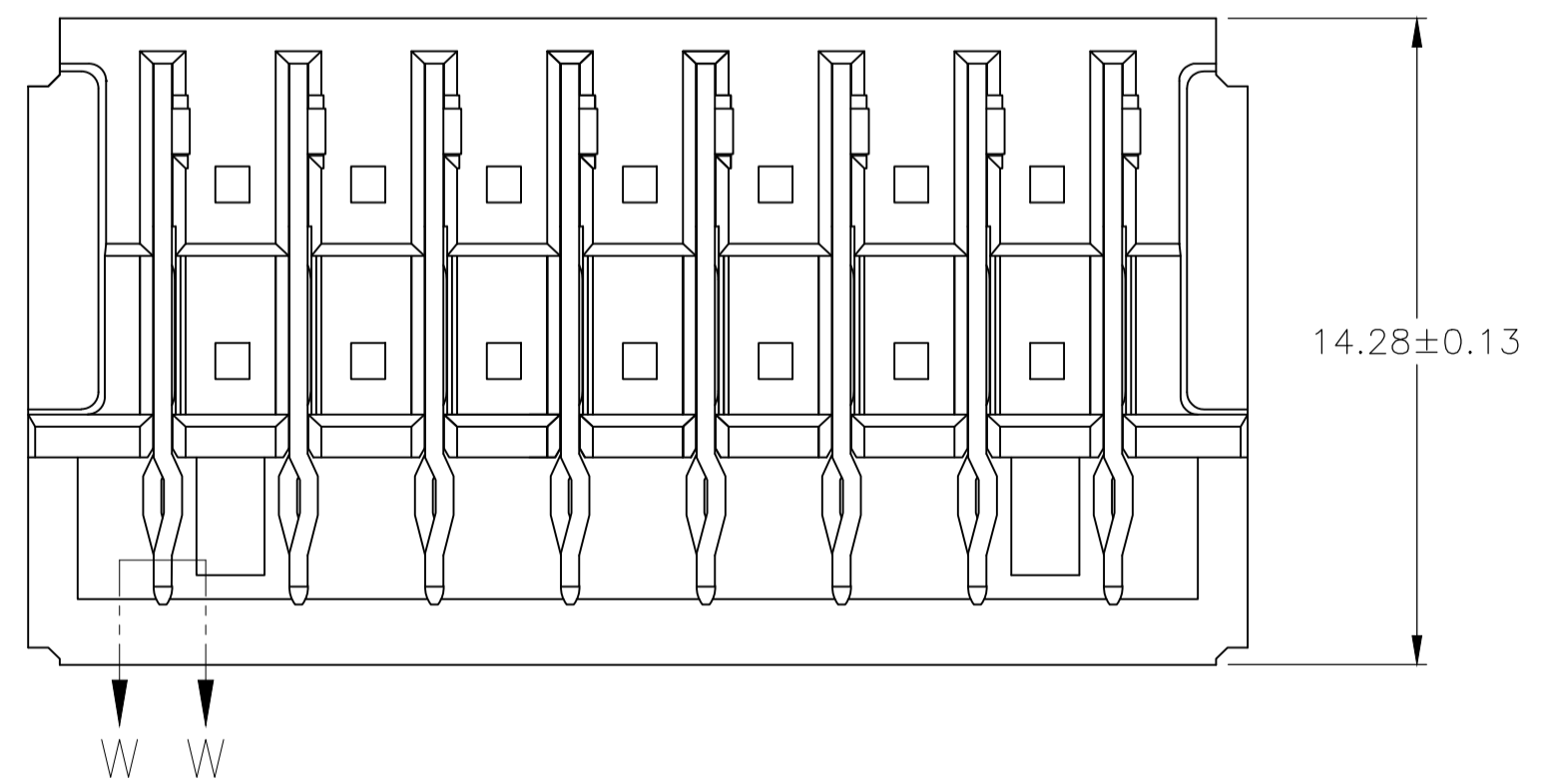
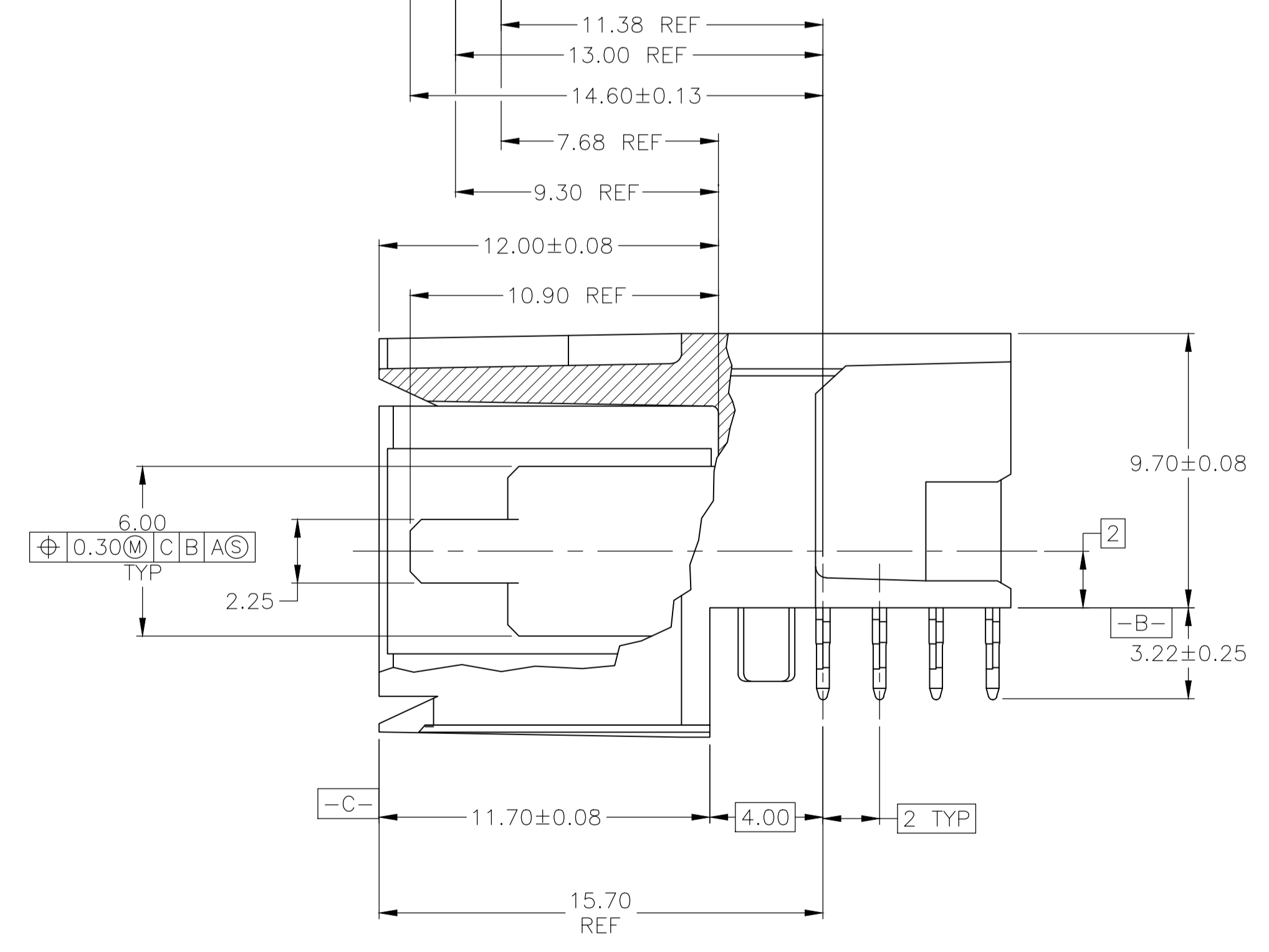
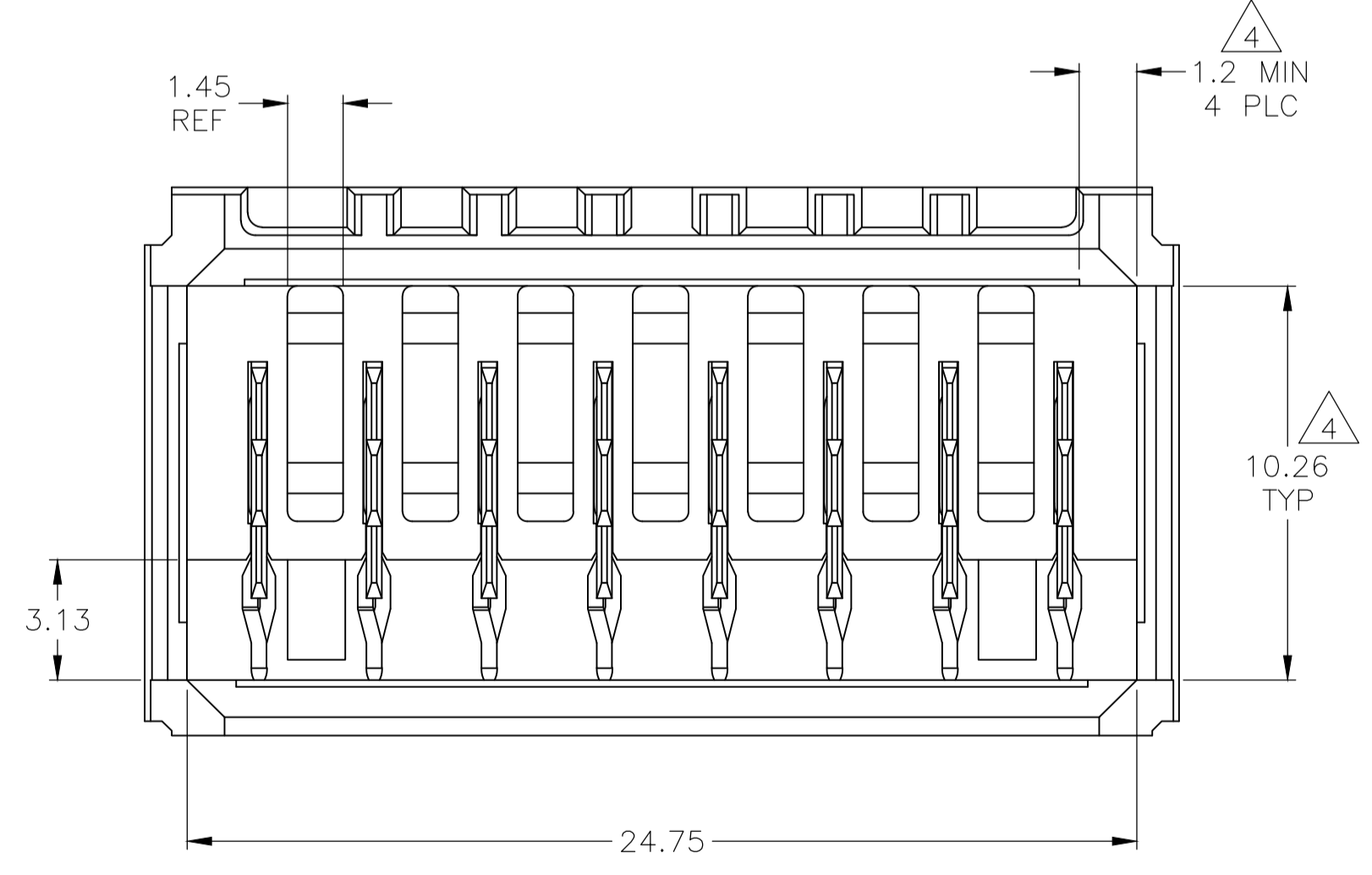
RECOMMENDED PCB HOLE LAYOUT



- 1 MATERIAL: HOUSING: POLYESTER, GRAY. UL 94V-0. CONTACT: HIGH CURRENT COPPER ALLOY.
- 2 FINISH: IN ACCORDANCE WITH PRODUCT SPECIFICATION 108-1651, GOLD PLATING OR EQUIVALENT PLATING ON PRODUCT CONTACT MATING AREA, AND MATTE TIN PLATING ON COMPLIANT PIN AREA, ALL OVER MATTE NICKEL UNDERPLATED. DETAIL PLEASE REFER TO PRODUCT SPECIFICATION 108-1651.
- 3 FINISH: CONTACT LUBRICATION WITH BELLCORE APPROVED LUBRICANT. TECHNICAL REFERENCE: GR-1217-CORE, ISSUE 1, NOVEMBER 1995.
- 4 THE 10.26±0.13 DIMENSION APPLIES IN THIS AREA.
- 5 REFERENCE APPLICATION SPEC 114-1103 FOR RECOMMENDED PLATED THRU HOLE DIAMETER AND PLATING THICKNESSES.
- 6. CURRENT RATING 16A/CONTACT PER PRODUCT SPEC 108-1651.



SECTION W-W  
SCALE 40:1



A	B	C,D,E,F,G,H	8	120958-2																																
A,B,C,D,E,F,G,H	-	-	8	120958-1																																
POSITIONS LOADED WITH 10.90 REF CONTACTS	POSITIONS LOADED WITH 9.30 REF CONTACTS	POSITIONS LOADED WITH 7.68 REF CONTACTS	NO OF LOADED POSITIONS	PART NUMBER																																
THIS DRAWING IS A CONTROLLED DOCUMENT.		<table border="1"> <tr> <td>DIN</td> <td>B CARBO</td> <td>11OCT04</td> </tr> <tr> <td>CHK</td> <td>R PATTERSON</td> <td>11OCT04</td> </tr> <tr> <td>APP'D</td> <td>R PATTERSON</td> <td>11OCT04</td> </tr> <tr> <td>NAME</td> <td colspan="2">R PATTERSON</td> </tr> <tr> <td>PRODUCT SPEC</td> <td colspan="2">108-1651</td> </tr> <tr> <td>APPLICATION SPEC</td> <td colspan="2">114-1103</td> </tr> <tr> <td>WEIGHT</td> <td>0.000000</td> <td>A1</td> </tr> <tr> <td>CUSTOMER DRAWING</td> <td>SCALE 6:1</td> <td>SHEET 1 OF 1</td> </tr> </table>			DIN	B CARBO	11OCT04	CHK	R PATTERSON	11OCT04	APP'D	R PATTERSON	11OCT04	NAME	R PATTERSON		PRODUCT SPEC	108-1651		APPLICATION SPEC	114-1103		WEIGHT	0.000000	A1	CUSTOMER DRAWING	SCALE 6:1	SHEET 1 OF 1								
DIN	B CARBO	11OCT04																																		
CHK	R PATTERSON	11OCT04																																		
APP'D	R PATTERSON	11OCT04																																		
NAME	R PATTERSON																																			
PRODUCT SPEC	108-1651																																			
APPLICATION SPEC	114-1103																																			
WEIGHT	0.000000	A1																																		
CUSTOMER DRAWING	SCALE 6:1	SHEET 1 OF 1																																		
<table border="1"> <tr> <td>DIMENSIONS:</td> <td>TOLERANCES UNLESS OTHERWISE SPECIFIED:</td> </tr> <tr> <td>mm</td> <td></td> </tr> <tr> <td>Ø</td> <td>0 PLC ± -</td> </tr> <tr> <td></td> <td>1 PLC ± ±</td> </tr> <tr> <td></td> <td>2 PLC ± ± 0.13</td> </tr> <tr> <td></td> <td>3 PLC ± ±</td> </tr> <tr> <td></td> <td>4 PLC ± ±</td> </tr> <tr> <td>ANGLES</td> <td>± ±</td> </tr> </table>		DIMENSIONS:	TOLERANCES UNLESS OTHERWISE SPECIFIED:	mm		Ø	0 PLC ± -		1 PLC ± ±		2 PLC ± ± 0.13		3 PLC ± ±		4 PLC ± ±	ANGLES	± ±	<table border="1"> <tr> <td colspan="2"> </td> <td colspan="2">TE Connectivity</td> </tr> <tr> <td colspan="4">RIGHT ANGLE HEADER ASSY W/ RETENTION PEGS UNIVERSAL POWER MODULE</td> </tr> <tr> <td>SIZE</td> <td>CAGE CODE</td> <td>DRAWING NO</td> <td>RESTRICTED TO</td> </tr> <tr> <td>A1</td> <td>00779</td> <td>C=120958</td> <td>-</td> </tr> </table>					TE Connectivity		RIGHT ANGLE HEADER ASSY W/ RETENTION PEGS UNIVERSAL POWER MODULE				SIZE	CAGE CODE	DRAWING NO	RESTRICTED TO	A1	00779	C=120958	-
DIMENSIONS:	TOLERANCES UNLESS OTHERWISE SPECIFIED:																																			
mm																																				
Ø	0 PLC ± -																																			
	1 PLC ± ±																																			
	2 PLC ± ± 0.13																																			
	3 PLC ± ±																																			
	4 PLC ± ±																																			
ANGLES	± ±																																			
		TE Connectivity																																		
RIGHT ANGLE HEADER ASSY W/ RETENTION PEGS UNIVERSAL POWER MODULE																																				
SIZE	CAGE CODE	DRAWING NO	RESTRICTED TO																																	
A1	00779	C=120958	-																																	