

NEW

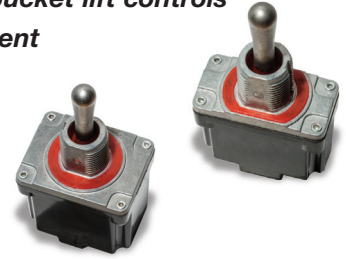
PT Series Sealed Power Toggle Switch

Features/Benefits

- **IP66 / IP68 versatile rating to withstand harsh outdoor environments, intense, wet weather, wind blown rain, dust, dirt**
- **UL 61058-1 certified has global acceptance with no additional testing needed**
- **Integrated panel seal for extra protection**
- **Superior oil and fuel resistance**
- **High strength, heat resistant housing designed for demanding applications subjected to vibration and harsh conditions**

Typical Applications

- **Off-road, Construction/Agricultural vehicles**
- **Material handling equipment**
- **Articulating, scissor, and bucket lift controls**
- **Outdoor industrial equipment**
- **Lift gate controls**



Specifications

UL ELECTRICAL RATINGS:

MAINTAINED FUNCTIONS: 15A GP, 277VAC 50/60Hz T85
 15(4)A, 277VAC 50/60Hz T85
 1/2 hp, 125VAC 50/60Hz T85
 1 hp, 250VAC 50/60Hz T85

MOMENTARY FUNCTIONS: 10A GP, 277VAC 50/60Hz T85
 10(4)A, 277VAC 50/60Hz T85
 1/4hp, 125VAC 50/60Hz T85
 1/2 hp, 250VAC 50/60Hz T85

ELECTRICAL LIFE: 10,000 cycles

DC ELECTRICAL RATINGS: Resistive Loads

ALL FUNCTIONS: Up to 25A, 24VDC
 0.75A, 125VDC
 0.5A, 250VDC

MAINTAINED FUNCTIONS: 15A, 28VDC

MOMENTARY FUNCTIONS: 10A, 28VDC

DIELECTRIC STRENGTH: 2500V min. initial (terminal to toggle)

INSULATION RESISTANCE: 1000 MΩ min. initial

CONTACT RESISTANCE: 50 mΩ max. initial (terminal to toggle)

OPERATING AND STORAGE TEMPERATURE: -40°C to +85°C

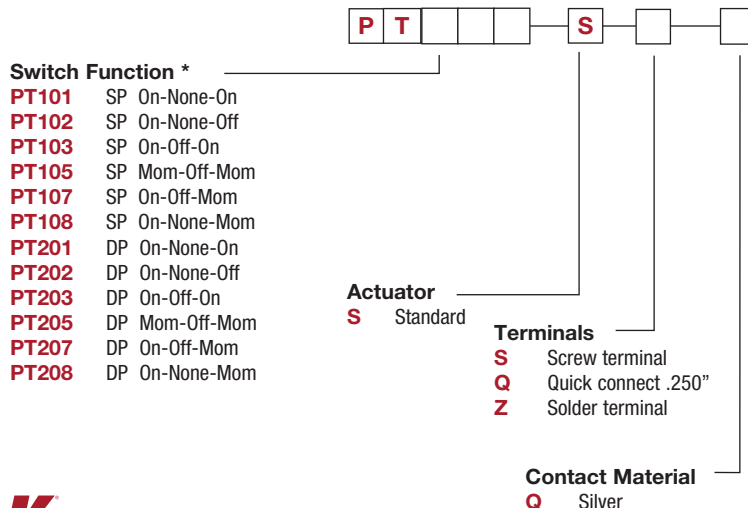
IP RATINGS: IP66 / IP68 Versatile

Materials

CASE:	Thermoset
ACTUATOR:	Stainless Steel
PIVOT PIN:	Stainless Steel
BUSHING:	Zinc Die Cast
SEAL:	Silicone
MOVEABLE CONTACT(S):	Copper alloy, silver plated
BUTTON:	Silver Cadmium
TERMINALS:	Brass for Quick connect, silver plated brass for solder and screw terminals
HARDWARE:	Hex nut & locking ring: brass, nickel plated Screws: brass Lock washer: brass, nickel plated
AVAILABLE:	Over molded Silicone Bushing Hex Seal
PACKAGING:	Trays

Build-A-Switch

To order, simply select desired option from each category and place in the appropriate box. Available options are shown and described on pages F-53 thru F-56. For additional options not shown in catalog, consult Customer Service Center.



26 jul 18



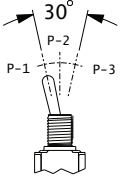
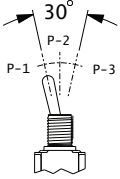
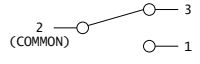
F

Toggle

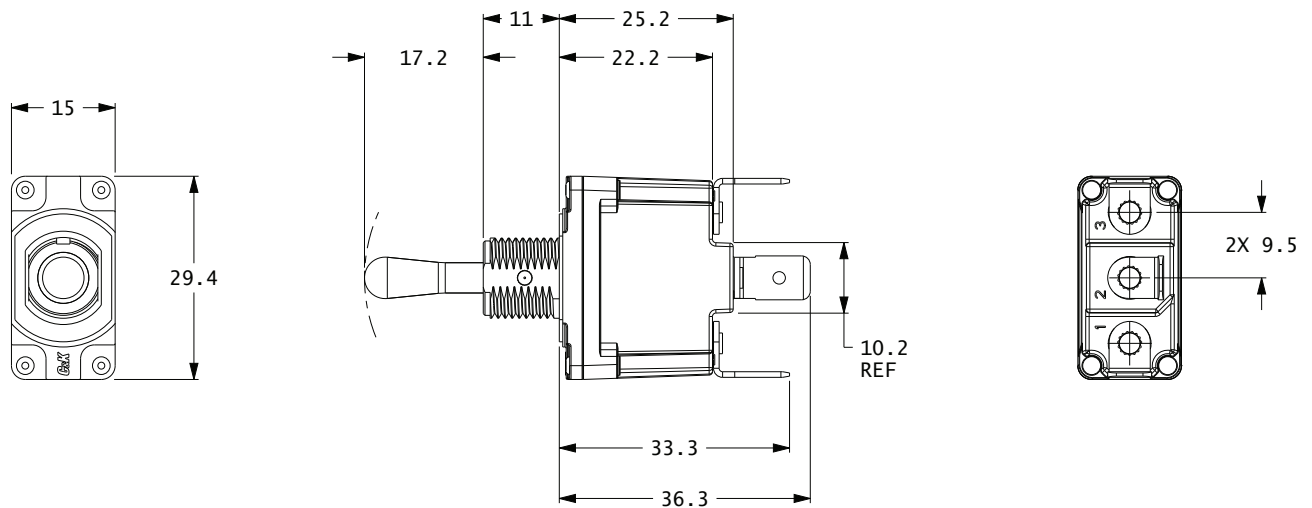
PT Series Sealed Power Toggle Switch

NEW

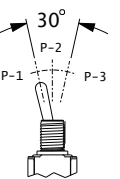
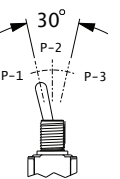
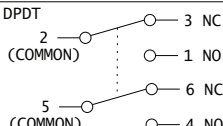
SP

	NO. POLES	MODEL NO.	SWITCH FUNCTION			CONNECTED TERMINALS			SCHEMATIC
			POS. 1	POS. 2	POS. 3	POS. 1	POS. 2	POS. 3	
	SP	PT101	ON	NONE	ON	2-3	N/A	2-1	
		PT102*	ON	NONE	OFF	2-3	N/A	OPEN	
		PT103	ON	OFF	ON	2-3	OPEN	2-1	
		PT105	MOM	OFF	MOM				
		PT107	ON	OFF	MOM				
		PT108	ON	NONE	MOM	2-3	N/A	2-1	

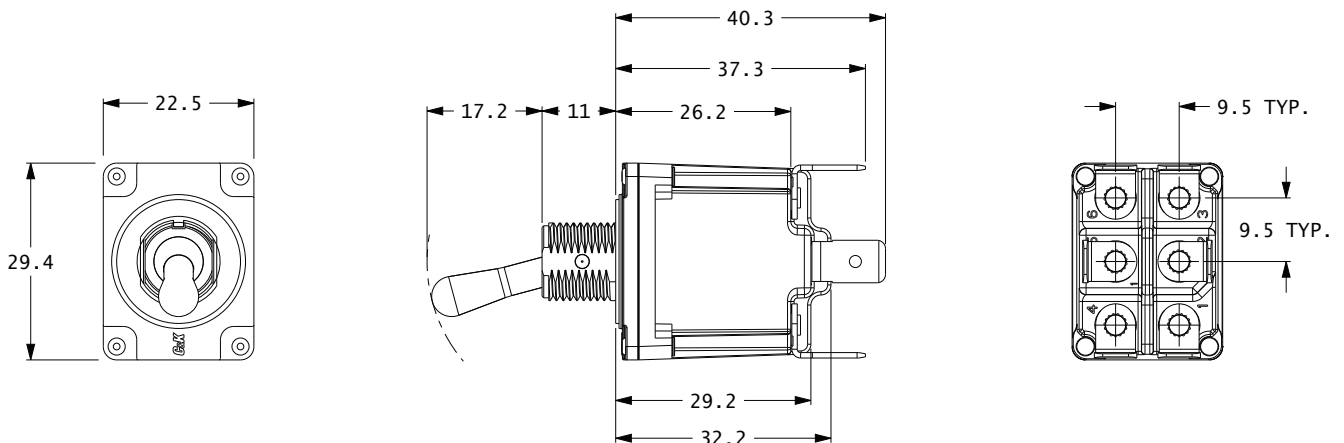
* PT102 OMIT TERMINAL 1



DP

	NO. POLES	MODEL NO.	SWITCH FUNCTION			CONNECTED TERMINALS			SCHEMATIC
			POS. 1	POS. 2	POS. 3	POS. 1	POS. 2	POS. 3	
	DP	PT201	ON	NONE	ON	2-3, 5-6	N/A	2-1, 4-5	
		PT202*	ON	NONE	OFF	2-3, 5-6	N/A	OPEN	
		PT203	ON	OFF	ON	2-3, 5-6	OPEN	2-1, 4-5	
		PT205	MOM	OFF	MOM				
		PT207	ON	OFF	MOM				
		PT208	ON	NONE	MOM	2-3, 5-6	N/A	2-1, 4-5	

* PT202 OMIT TERMINAL 1 AND 4



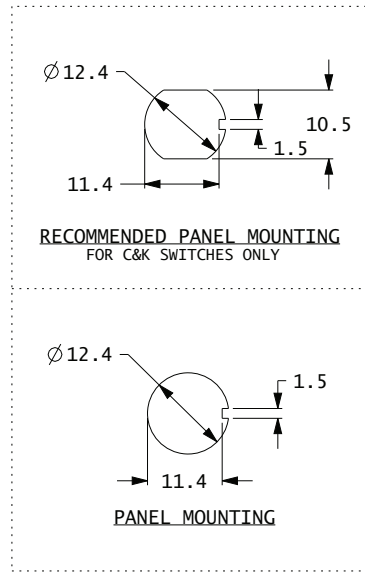
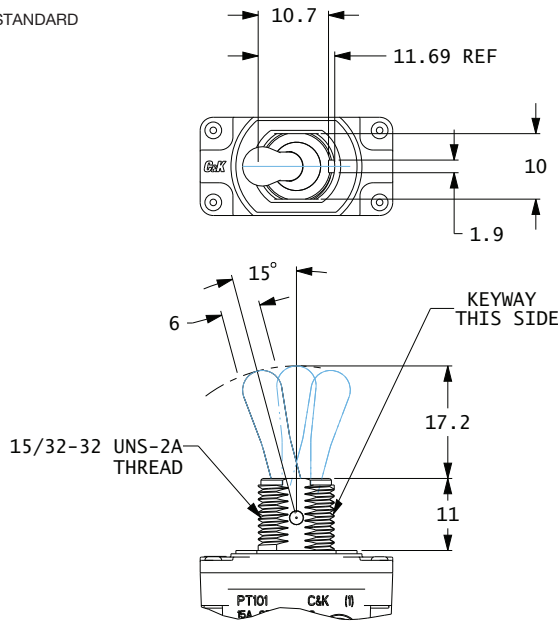
Toggle F

NEW

PT Series Sealed Power Toggle Switches

ACTUATOR

S STANDARD

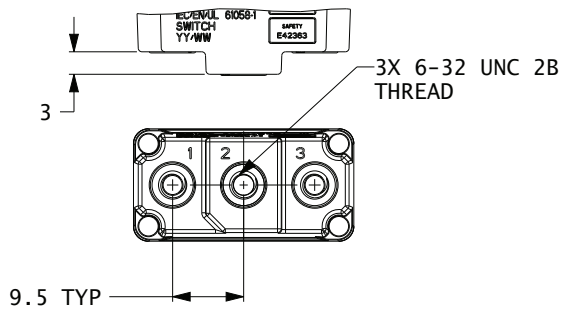


TERMINALS

S SCREW TERMINAL

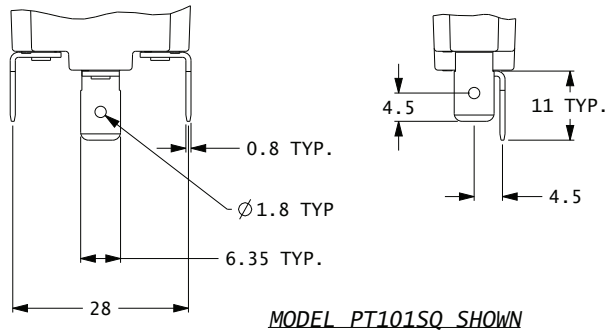
Q QUICK CONNECT

SP



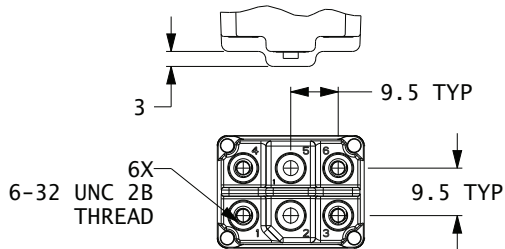
MODEL PT101SS SHOWN

SP



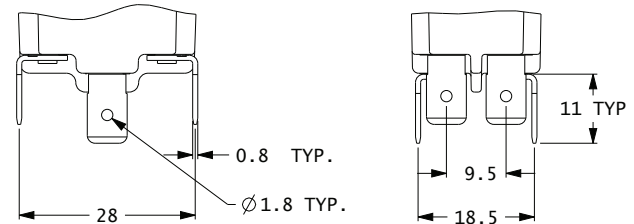
MODEL PT101SQ SHOWN

DP



MODEL PT201SS SHOWN

DP



MODEL PT201SQ SHOWN



F

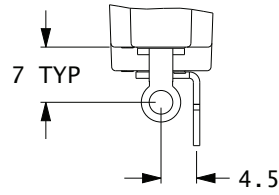
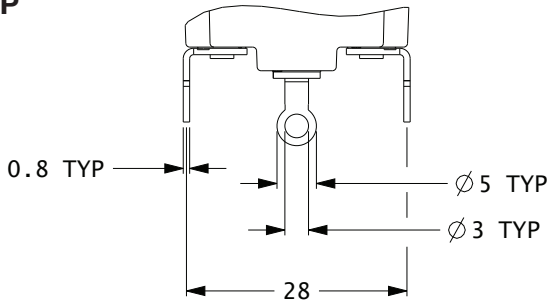
Toggle

PT Series Sealed Power Toggle Switch

NEW

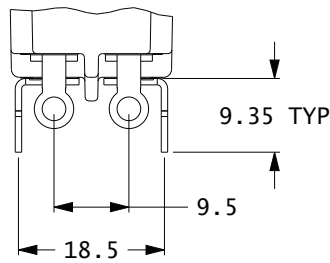
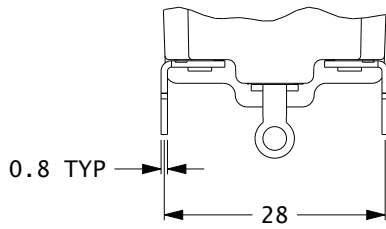
Z SOLDER TERMINAL

SP



MODEL PT101SZ SHOWN

DP



MODEL PT201SZ SHOWN



T

Toggle