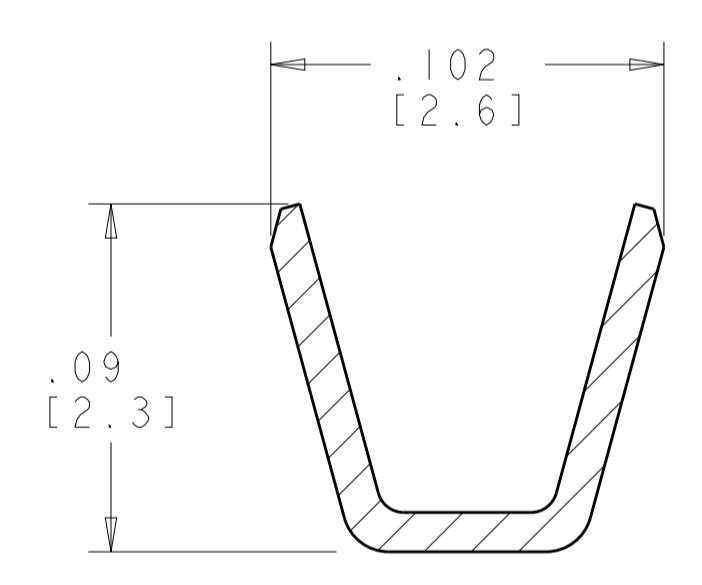
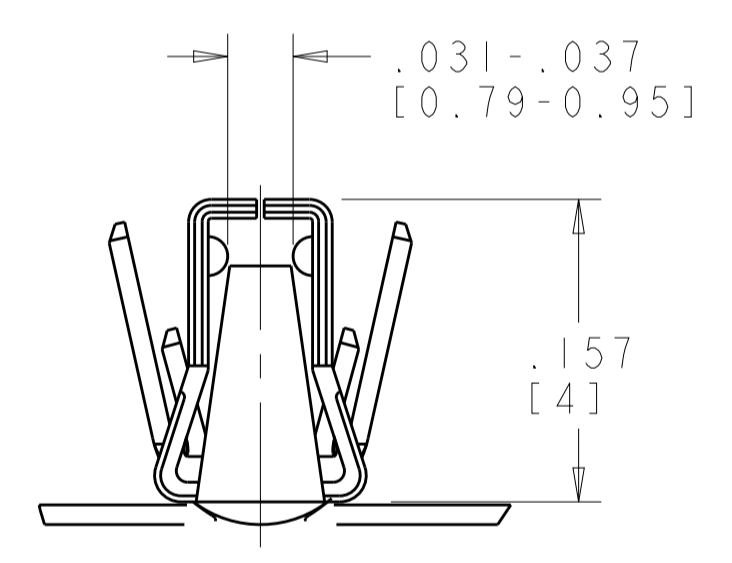
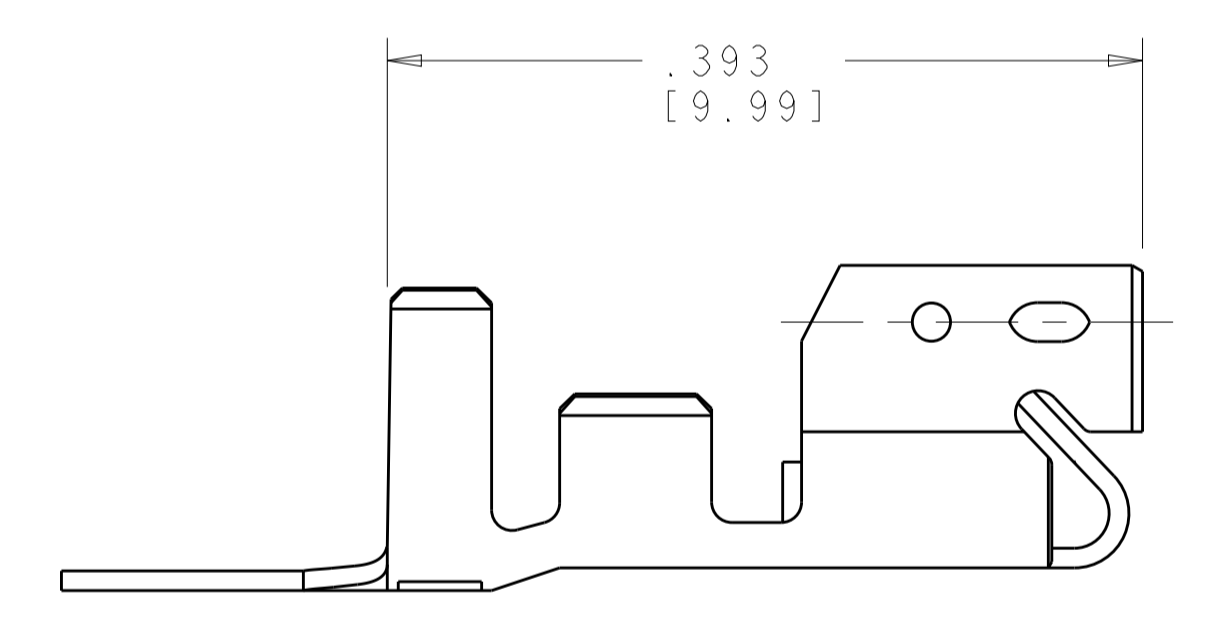
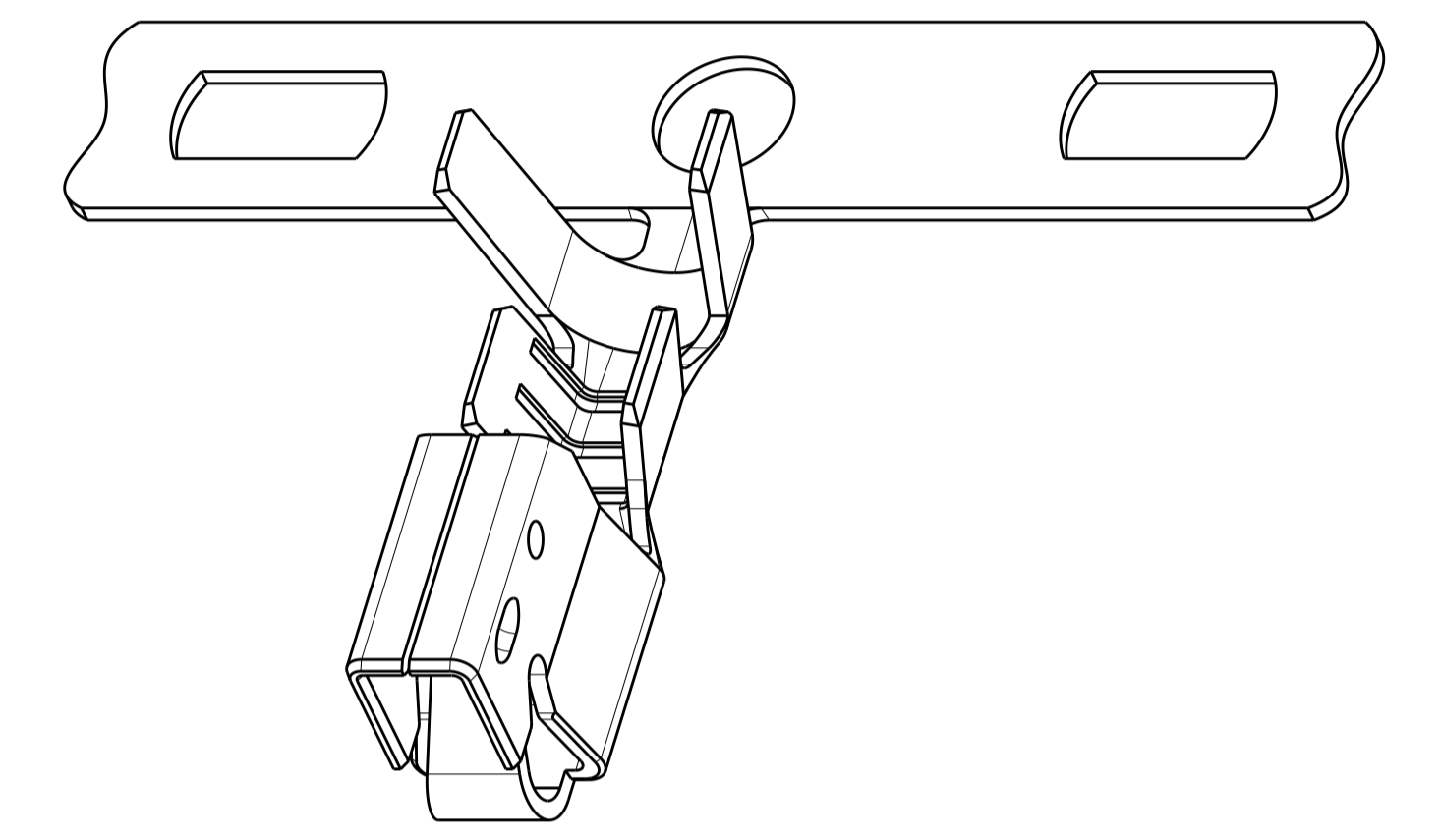
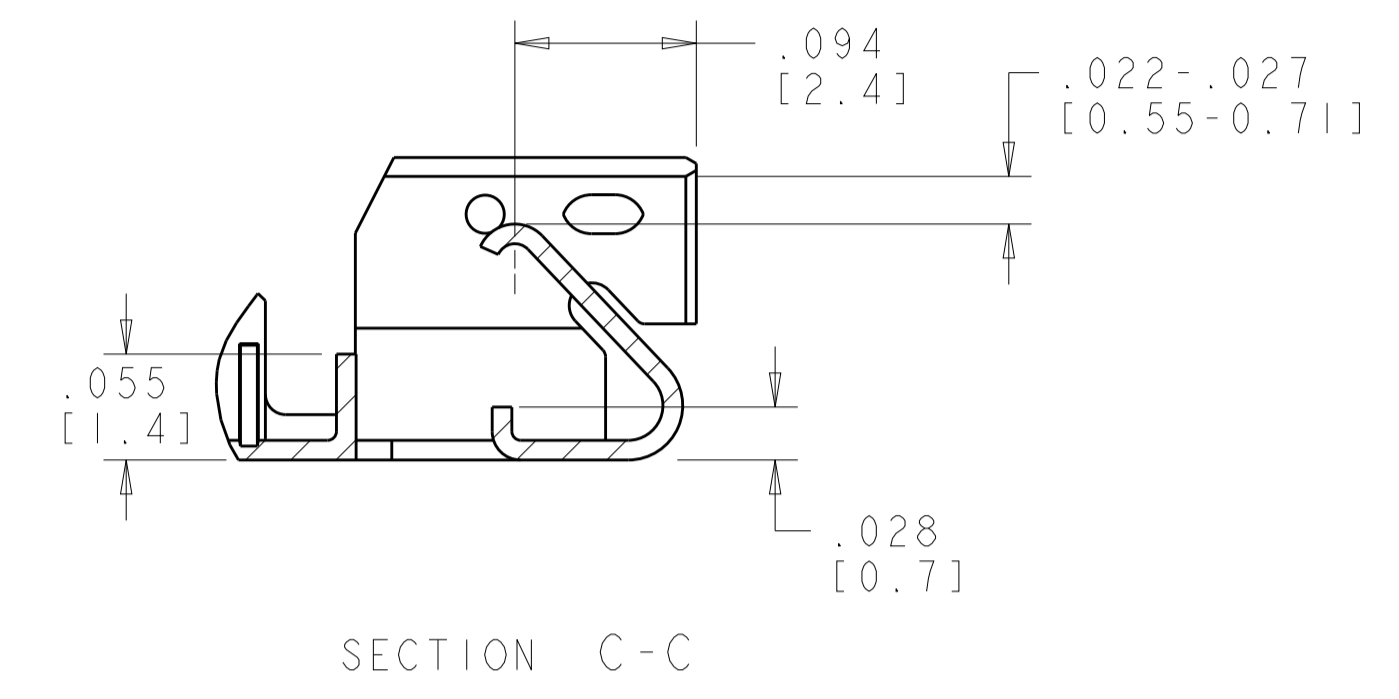
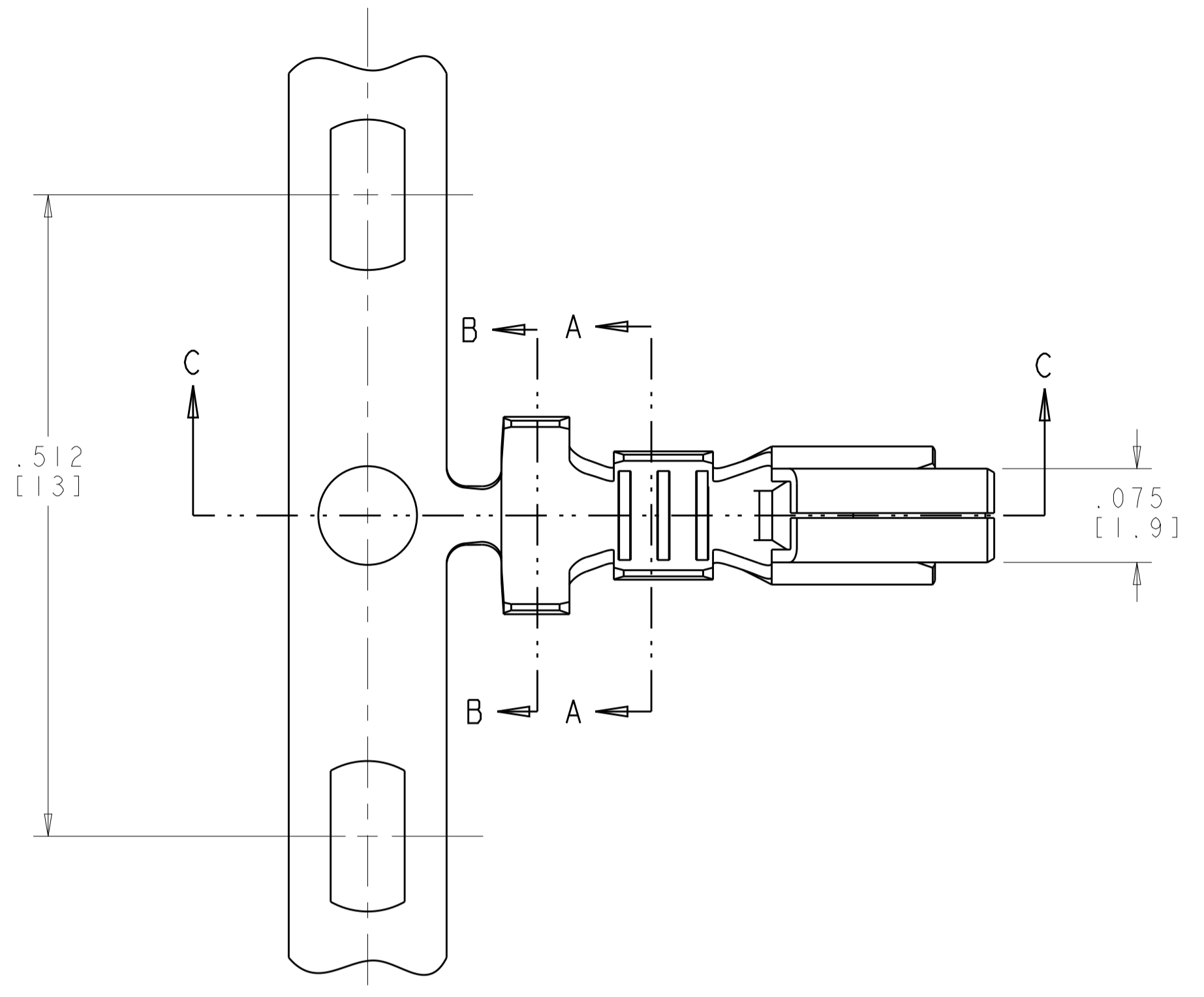
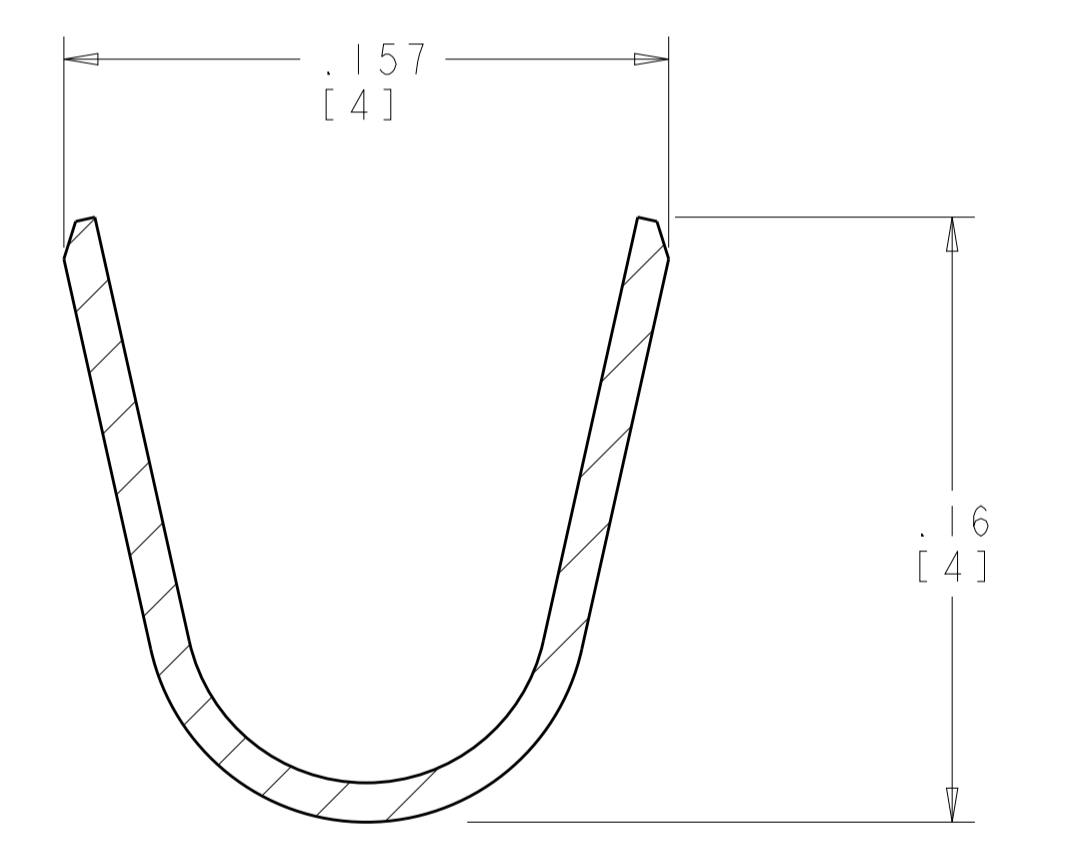


LOC	DIST	REVISIONS			
CM	00	REV	DATE	BY	APPD
		D3	13AUG2020	WH	DZ

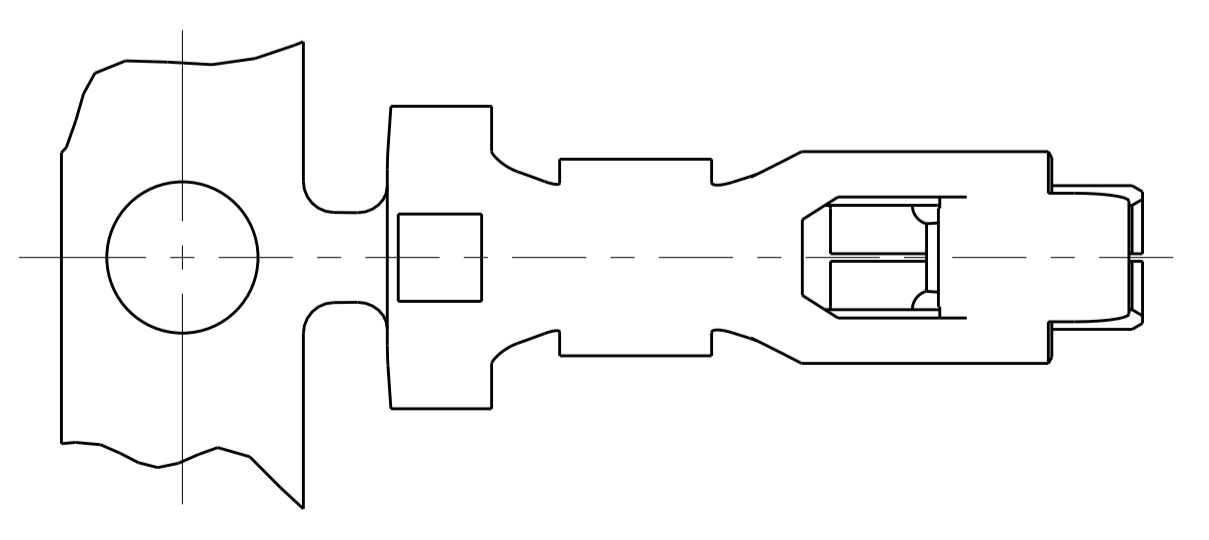
1. FINISH: 0.8µM PRE-TIN OVER 0.5µM MIN COPPER.
2. WIRE RANGE: 22-18 AWG [0.26-1.04mm²].
3. CONTACTS COATED WITH TE ANTI-FRETTING LUBRICANT.
4. WIRE INSULATION RANGE: .067-.114 [1.7-2.9] DIA.



SECTION A-A
SCALE 20:1



SECTION B-B
SCALE 20:1



3	PHOS BRONZE	1744144-1
LUBRICANT	MATERIAL	PART NO

THIS DRAWING IS A CONTROLLED DOCUMENT.		OWN: R. WHITAKER 05APR2005	TE Connectivity	
DIMENSIONS: INCHES [MM]		CHK: J. ELLIS 05APR2005		
TOLERANCES UNLESS OTHERWISE SPECIFIED:		APVD: J. ELLIS 05APR2005		
0 PLC ±.01		PRODUCT SPEC		
1 PLC ±.01		108-2297		
2 PLC ±.01		APPLICATION SPEC	NAME: CONTACT, LANCELESS, STD, ECONOMY POWER II	
3 PLC ±.15		114-13265	SIZE: A1	
4 PLC ±.01		WEIGHT	CAGE CODE: 1744144	
ANGLES ±.1°		CUSTOMER DRAWING	RESTRICTED TO	
FINISH: SEE TABLE		SCALE: N/A	SHEET 1 OF 1	
MATERIAL: SEE TABLE			REV: D3	