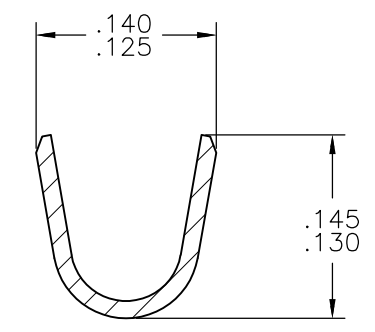
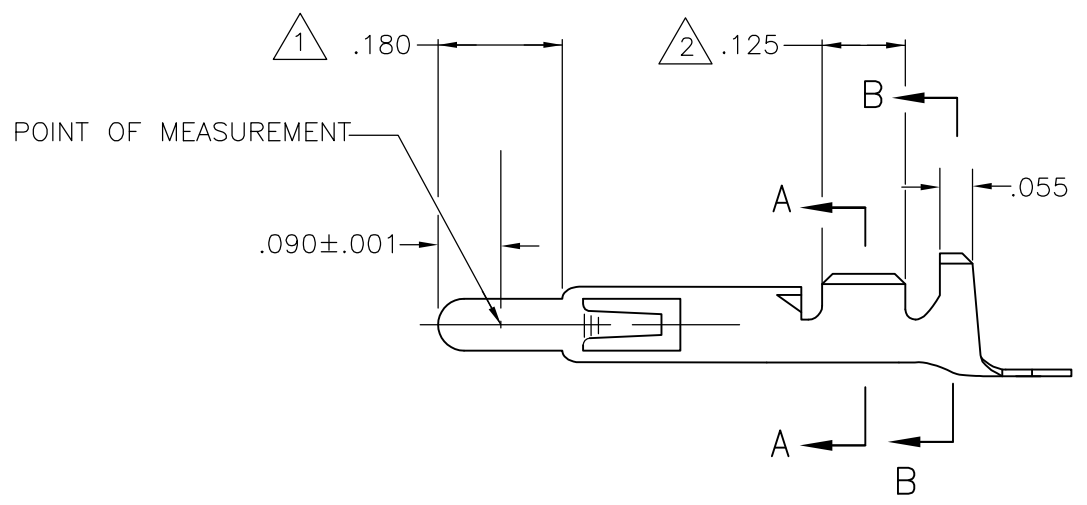
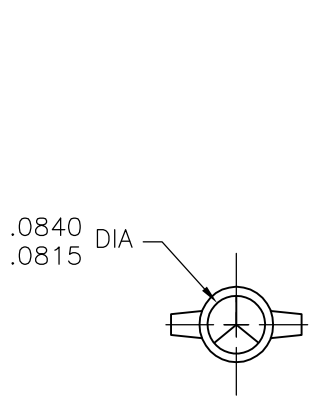
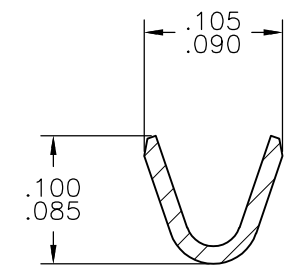
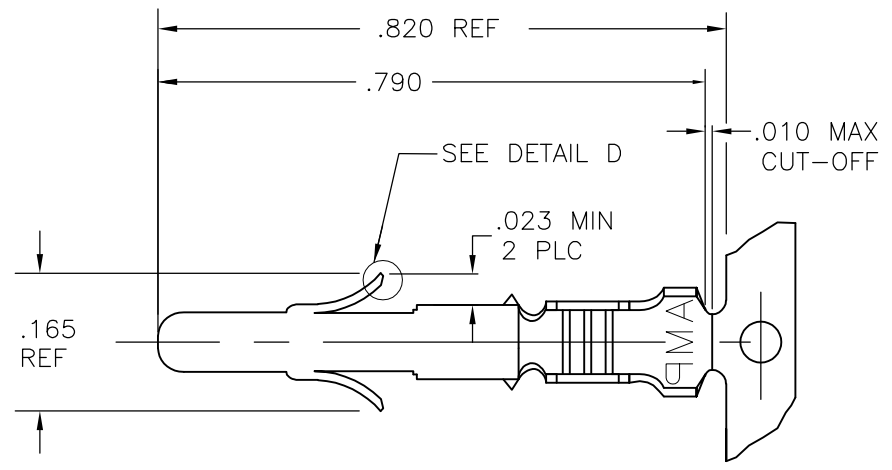
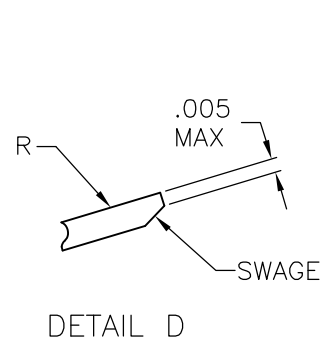


THIS DRAWING IS UNPUBLISHED. RELEASED FOR PUBLICATION
 © COPYRIGHT - By - ALL RIGHTS RESERVED.

LOC		DIST		REVISIONS			
P	LTR	DESCRIPTION		DATE	DWN	APVD	
	Z	REVISED PER ECR-12-013323		10AUG2012	KH	TM	
	Z1	REVISED PER ECR-14-008840		08JUL2014	AV	KD	



- 1 PLATED WITH .000030 GOLD, OVER .000050 NICKEL UNDERPLATE.
- 2 PLATED INTERNALLY WITH .000030 GOLD.
- 3 WIRE RANGE: 24-18 AWG AND INSULATION RANGE: .040-.100 DIA.

LOOSE PIECE (REF)	FINISH	MATERIAL	PART NUMBER
350690-7	GOLD 1	.012 BRASS	350561-7
350690-3	PRE-TIN	.012 PH. BRZ.	350561-3
350690-2	GOLD 1 2	.012 BRASS	350561-2
350690-1	PRE-TIN		350561-1

THIS DRAWING IS A CONTROLLED DOCUMENT.

DIMENSIONS: INCHES	TOLERANCES UNLESS OTHERWISE SPECIFIED:	DWN M.FEHER 05JUN81	TE Connectivity	
	0 PLC ± -	CHK DSH 09JUN81	PIN, UNIVERSAL MATE-N-LOK	
	1 PLC ± -	APVD RPL 10JUN81	SIZE A2	CAGE CODE 00779
	2 PLC ± -	PRODUCT SPEC 108-1031	DRAWING NO C=350561	RESTRICTED TO -
	3 PLC ± .010	APPLICATION SPEC 114-1010	SCALE 4:1	SHEET 1 of 1
	4 PLC ± -	WEIGHT -	REV Z1	
MATERIAL -	FINISH -	CUSTOMER DRAWING		