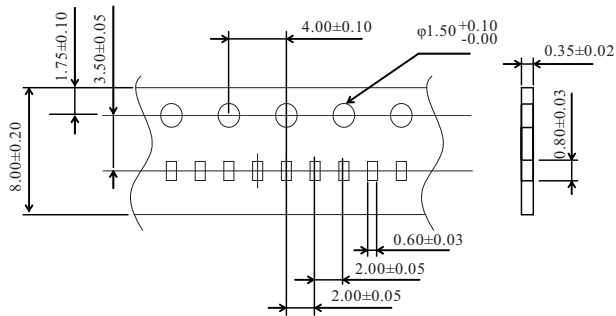


### 13. Packaging form

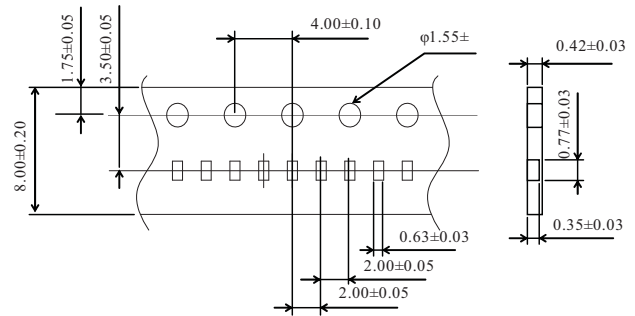
#### 13-1. Tape dimensions

[Plastic type (TCM0605G-900-2P-T200)]



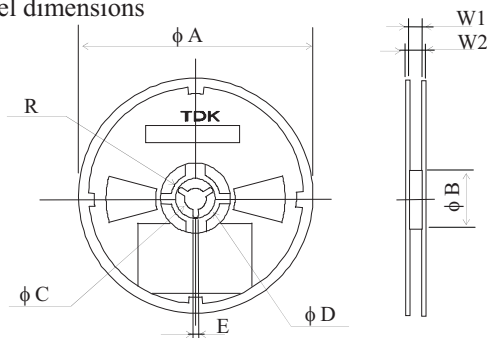
[Tape type (TCM0605G-900-2P-T201)]

2



Dimensions in mm

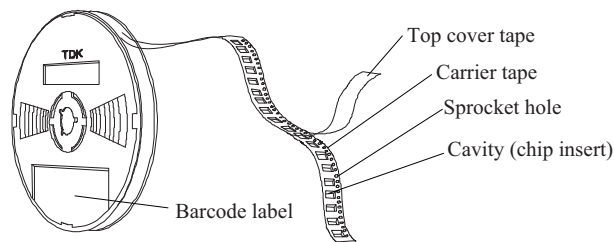
#### 13-2. Reel dimensions



Symbol	T(φ 180 reel)
A	180+0/-3
B	60+1/-0
C	13±0.2
D	21±0.8
E	2±0.5
W1	9±0.3
W2	13±1.4
R	1

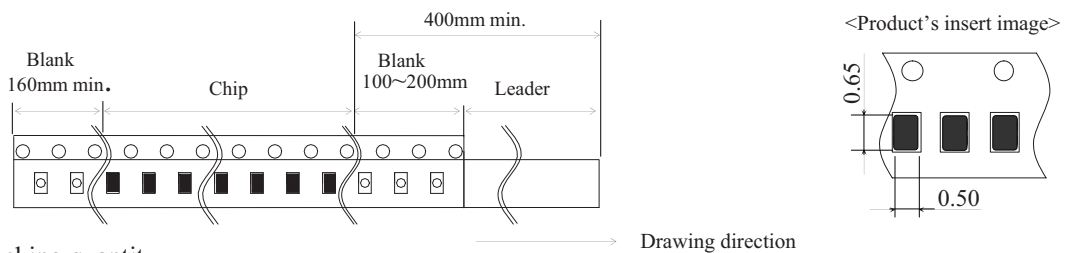
Dimensions in mm

#### 13-3. Taping figure



#### 13-4. Packaging form

There is not the joint in cover tape, carrier tape, and, in product enclosure portion, there is not continuation more than two vacancies of the product.



#### 13-5. Packing quantity

T : 10000pcs.(φ180 reel)

#### 13-6. Cover tape peel strength

The force for tearing off cover tape is 0.05~1.00(N) in the arrow direction at the following conditions.

