

## PROTECTION PRODUCTS

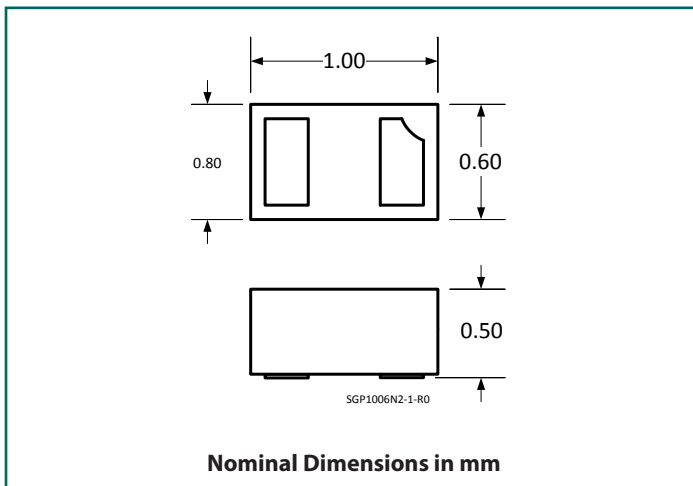
### Description

μClamp® TVS diodes are designed to protect sensitive electronics from damage or latch-up due to EOS, lightning, CDE, and ESD. They feature large cross-sectional area junctions for conducting high transient currents. These devices offer desirable characteristics for board level protection including fast response time, low operating and clamping voltage, and no device degradation.

μClamp®3381P features extremely good protection characteristics highlighted by high surge current capability (25A,  $t_p=8/20\mu s$ ), low peak ESD clamping voltage, and high ESD withstand voltage ( $\pm 30kV$  contact per IEC 61000-4-2). Typical dynamic resistance is among the industry's best at 0.025 Ohms. Each device will protect one data or power line operating at 3.3 Volts.

μClamp3381P is in a 2-pin SGP1006N2 package measuring 1.0 x 0.6 x 0.5mm. Leads are spaced at a pitch of 0.65mm and feature a lead-free finish. The combination of small size, low operating voltage, and high ESD surge capability makes them ideal for protection of voltage bus lines in optical modules, LCD televisions, and tablet computers.

### Nominal Dimensions



### Features

- Transient protection for VBus and data lines to
  - ♦ IEC 61000-4-2 (ESD)  $\pm 30kV$  (air),  $\pm 30kV$  (contact)
  - ♦ IEC 61000-4-4 (EFT) 40A (5/50ns)
  - ♦ IEC 61000-4-5 (Lightning) 25A (8/20 $\mu s$ )
- Protects one line
- Low ESD clamping voltage
- Working voltage: 3.3V
- Low leakage current
- Extremely low dynamic resistance: 0.025 Ohms (Typ)
- Solid-state silicon-avalanche technology

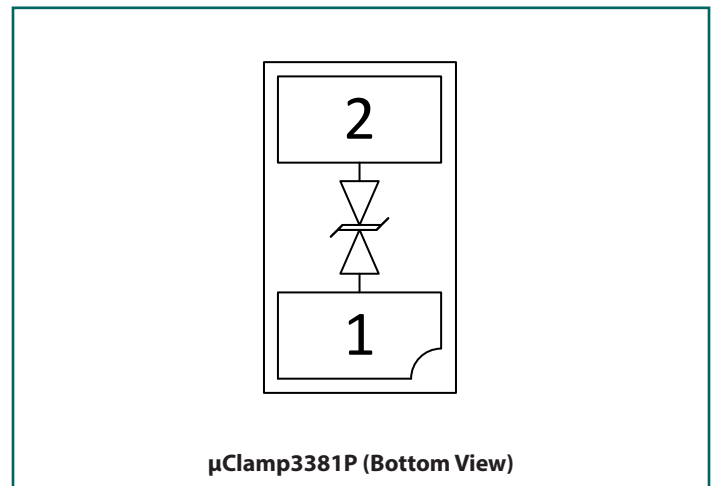
### Mechanical Characteristics

- SGP1006N2 Package
- Pb-Free, Halogen Free, RoHS/WEEE Compliant
- Nominal Dimensions: 1.0 x 0.60 x 0.50 mm
- Lead Finish: NiPdAu
- Marking : Marking Code
- Packaging : Tape and Reel

### Applications

- Optical Modules
- 3.3V VBus Protection
- LCD TV
- Tablet PC
- Instrumentation
- CCTV Cameras

### Schematic and Pin Configuration



## Absolute Maximum Ratings

Rating	Symbol	Value	Units
Peak Pulse Power ( $t_p = 8/20\mu s$ )	$P_{PK}$	275	W
Peak Pulse Current ( $t_p = 8/20\mu s$ )	$I_{PP}$	25	A
ESD per IEC 61000-4-2 (Air) <sup>(1)</sup> ESD per IEC 61000-4-2 (Contact) <sup>(1)</sup>	$V_{ESD}$	$\pm 30$ $\pm 30$	kV
Operating Temperature	$T_J$	-40 to +125	°C
Storage Temperature	$T_{STG}$	-55 to +150	°C

## Electrical Characteristics (T=25°C unless otherwise specified)

Parameter	Symbol	Conditions	Min.	Typ.	Max.	Units
Reverse Stand-Off Voltage	$V_{RWM}$	Pin 1 to 2 or Pin 2 to 1			3.3	V
Reverse Breakdown Voltage	$V_{BR}$	$I_{BR} = 1mA$ , Pin 1 to 2 or Pin2 to 1	4.5	8.5	10	V
Reverse Leakage Current	$I_R$	$V_{RWM} = 3.3V$		1	100	nA
Clamping Voltage	$V_C$	$I_{PP} = 25A$ , $t_p = 8/20\mu s$ ,			11.5	V
ESD Clamping Voltage <sup>2</sup>	$V_C$	$I_{PP} = 4A$ , $t_p = 0.2/100ns$ (TLP)		8.3		V
ESD Clamping Voltage <sup>2</sup>	$V_C$	$I_{PP} = 16A$ , $t_p = 0.2/100ns$ (TLP)		8		V
Dynamic Resistance <sup>2,3</sup>	$R_{DYN}$	$t_p = 0.2/100ns$ (TLP)		0.025		Ohms
Junction Capacitance	$C_J$	$V_R = 0V$ , $f = 1MHz$		30	35	pF

Notes:

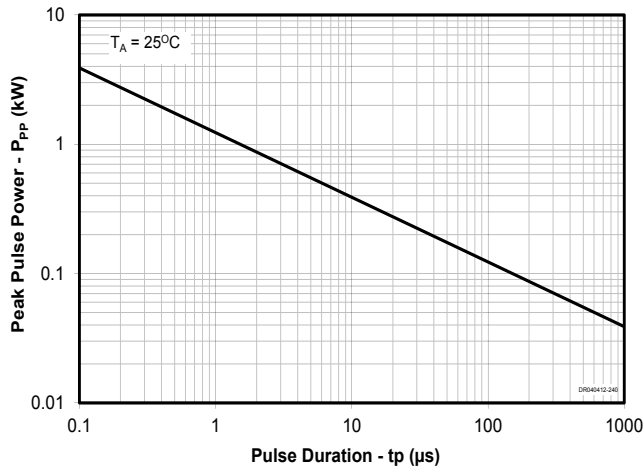
(1): Measured with a 20dB attenuator, 50 Ohm scope input impedance, 2GHz bandwidth. ESD gun return path connected to Ground Reference Plane (GRP)

(2): Transmission Line Pulse Test (TLP) Settings:  $t_p = 100ns$ ,  $t_r = 0.2ns$ ,  $I_{TLP}$  and  $V_{TLP}$  averaging window:  $t_1 = 70ns$  to  $t_2 = 90ns$ .

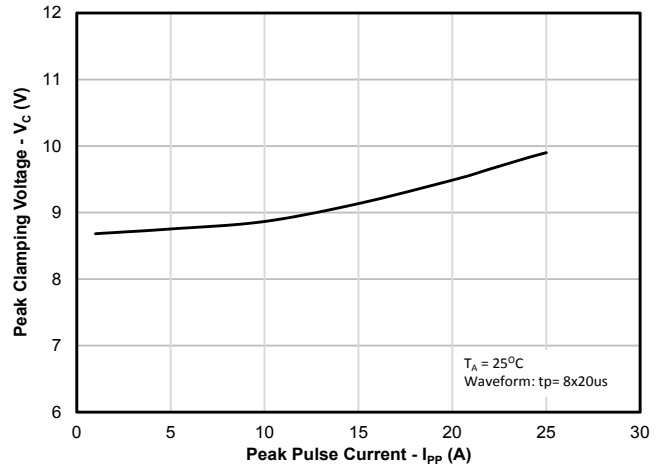
(3): Dynamic resistance calculated from  $I_{TLP} = 4A$  to  $I_{TLP} = 16A$

# Typical Characteristics

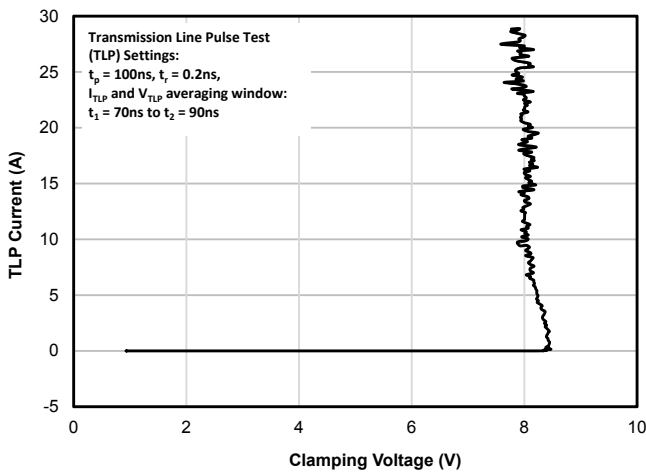
Non-Repetitive Peak Pulse Power vs. Pulse Time



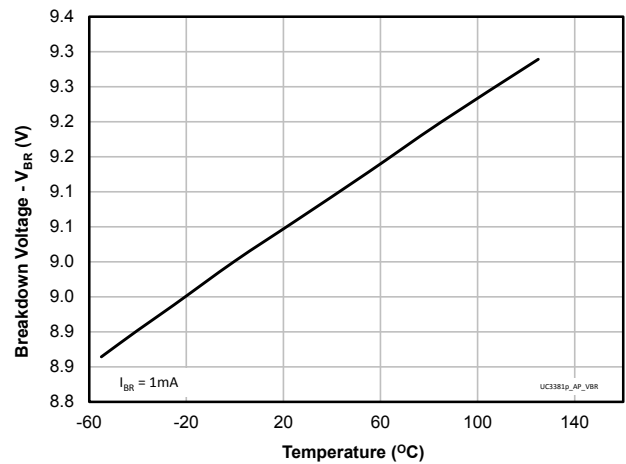
Clamping Voltage vs. Peak Pulse Current ( $t_p=8/20\mu$ s)



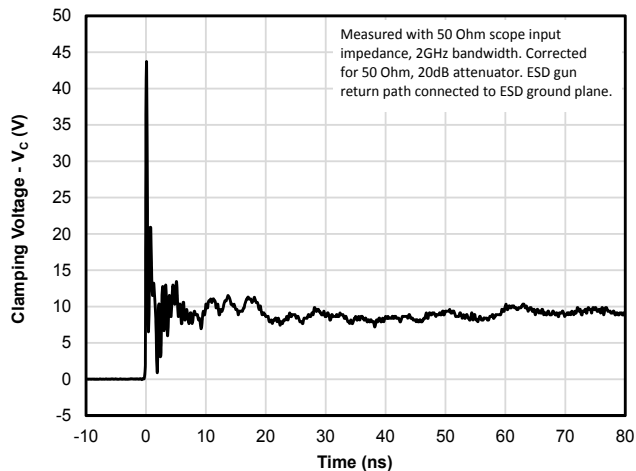
TLP Characteristic



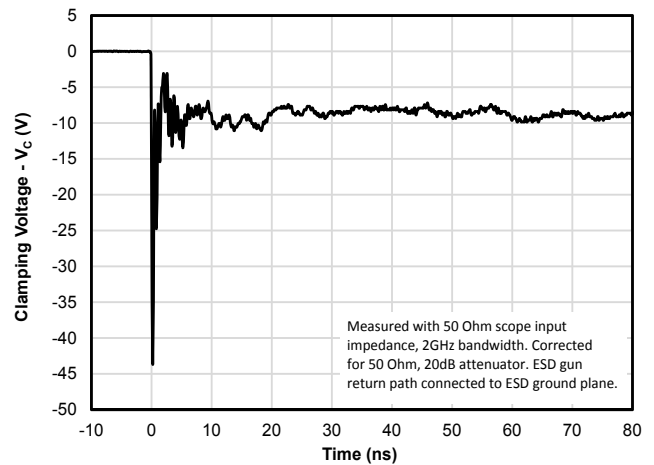
Typical Breakdown Voltage vs. Temperature



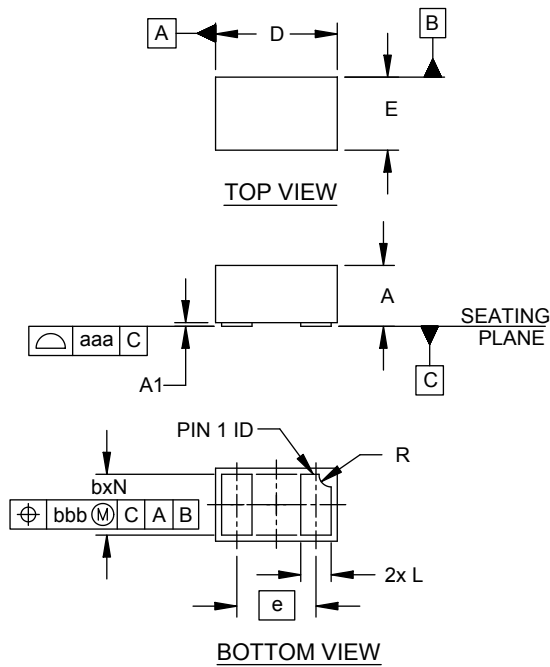
ESD Clamping (8kV Contact per IEC 61000-4-2)



ESD Clamping (-8kV Contact per IEC 61000-4-2)



## Outline Drawing - SGP1006N2



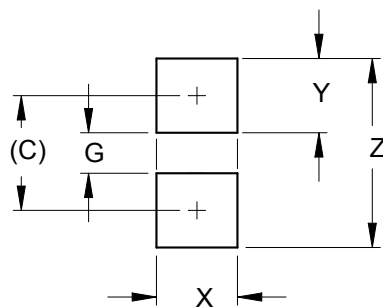
DIM	INCHES			MILLIMETERS		
	MIN	NOM	MAX	MIN	NOM	MAX
A	.016	.020	.022	0.40	0.50	0.55
A1	.000	.001	.002	0.00	0.03	0.05
b	.018	.020	.022	0.45	0.50	0.55
D	.035	.039	.043	0.90	1.00	1.10
E	.020	.024	.028	0.50	0.60	0.70
e	.026 BSC			0.65 BSC		
L	.008	.010	.012	0.20	0.25	0.30
R	.002	.004	.006	0.05	0.10	0.15
N	2			2		
aaa	.003			0.08		
bbb	.004			0.10		

SLP1006P2-1-R0

### NOTES:

1. CONTROLLING DIMENSIONS ARE IN MILLIMETERS (ANGLES IN DEGREES).

## Land Pattern - SGP1006N2



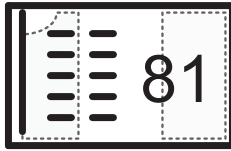
DIM	DIMENSIONS	
	INCHES	MILLIMETERS
C	(.033)	(0.85)
G	.012	0.30
X	.024	0.60
Y	.022	0.55
Z	.055	1.40

SLP1006P2-2-R0

### NOTES:

1. CONTROLLING DIMENSIONS ARE IN MILLIMETERS (ANGLES IN DEGREES).
2. THIS LAND PATTERN IS FOR REFERENCE PURPOSES ONLY. CONSULT YOUR MANUFACTURING GROUP TO ENSURE YOUR COMPANY'S MANUFACTURING GUIDELINES ARE MET.

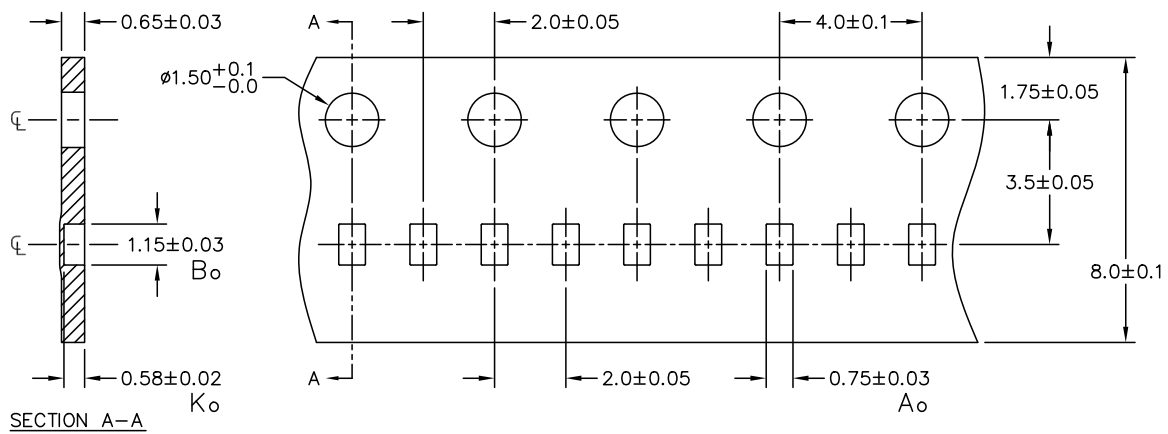
## Marking Code



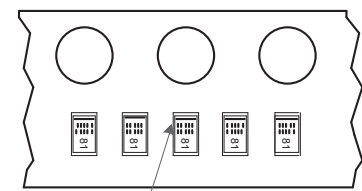
Notes:

1. Device is electrically symmetrical.
2. Marking will also include line matrix date code.
3. Bar indicates Pin 1 location.

## Tape and Reel Specification



NOTES: ALL DIMENSIONS IN MILLIMETERS UNLESS OTHERWISE SPECIFIED.



Marking Code Location  
(Bar Towards Sprocket Holes)

## Ordering Information

Part Number	Qty per Reel	Reel Size
μClamp3381P.TFT	15,000	7 Inch
RailClamp and RClamp are registered trademarks of Semtech Corporation.		



---

#### IMPORTANT NOTICE

Information relating to this product and the application or design described herein is believed to be reliable, however such information is provided as a guide only and Semtech assumes no liability for any errors in this document, or for the application or design described herein. Semtech reserves the right to make changes to the product or this document at any time without notice. Buyers should obtain the latest relevant information before placing orders and should verify that such information is current and complete. Semtech warrants performance of its products to the specifications applicable at the time of sale, and all sales are made in accordance with Semtech's standard terms and conditions of sale.

SEMTECH PRODUCTS ARE NOT DESIGNED, INTENDED, AUTHORIZED OR WARRANTED TO BE SUITABLE FOR USE IN LIFE-SUPPORT APPLICATIONS, DEVICES OR SYSTEMS, OR IN NUCLEAR APPLICATIONS IN WHICH THE FAILURE COULD BE REASONABLY EXPECTED TO RESULT IN PERSONAL INJURY, LOSS OF LIFE OR SEVERE PROPERTY OR ENVIRONMENTAL DAMAGE. INCLUSION OF SEMTECH PRODUCTS IN SUCH APPLICATIONS IS UNDERSTOOD TO BE UNDERTAKEN SOLELY AT THE CUSTOMER'S OWN RISK. Should a customer purchase or use Semtech products for any such unauthorized application, the customer shall indemnify and hold Semtech and its officers, employees, subsidiaries, affiliates, and distributors harmless against all claims, costs damages and attorney fees which could arise.

The Semtech name and logo are registered trademarks of the Semtech Corporation. All other trademarks and trade names mentioned may be marks and names of Semtech or their respective companies. Semtech reserves the right to make changes to, or discontinue any products described in this document without further notice. Semtech makes no warranty, representation or guarantee, express or implied, regarding the suitability of its products for any particular purpose. All rights reserved.

© Semtech 2015

---

#### Contact Information

Semtech Corporation  
200 Flynn Road, Camarillo, CA 93012  
Phone: (805) 498-2111, Fax: (805) 498-3804  
[www.semtech.com](http://www.semtech.com)