

NTC Thermistors, Radial Leaded Special Accuracy



QUICK REFERENCE DATA		
PARAMETER	VALUE	UNIT
Resistance value at 25 °C	4.7K to 100K	Ω
Tolerance on R_{25} -value	± 2.19 to ± 2.29	%
$B_{25/85}$ -value	3977 to 4190	K
Tolerance on $B_{25/85}$ -value	± 0.75 ; ± 1.5	%
Operating temperature range at zero dissipation	-40 to +125	°C
Accuracy for T measured between 25 °C and 85 °C	± 0.5	°C
Maximum power dissipation at 55 °C	250	mW
Dissipation factor δ (for information only)	7	mW/K
Response time (for information only) ⁽¹⁾	1.2	s
Thermal time constant τ (for information only)	11	s
Weight	≈ 0.22	g

Note

⁽¹⁾ Response time in silicone oil MS 200/50. This is the time needed for the sensor to reach 63.2 % of the total temperature difference when subjected to a temperature change from 25 °C in air to 85 °C in oil

FEATURES

- Excellent accuracy between 25 °C and 85 °C
- High stability over a long life
- Material categorization: for definitions of compliance please see www.vishay.com/doc?99912


RoHS
COMPLIANT

APPLICATIONS

- Temperature measurement, sensing, and control

DESCRIPTION

These thermistors have a NTC chip soldered between two tin-plated copper leads. It has a grey lacquered body but is not insulated. These thermistors have an accuracy of ± 0.5 °C over a trajectory from 25 °C to 85 °C.

PACKAGING

The thermistors are packed in cardboard boxes, each box contains 500 units.

MARKING

Grey lacquered body.

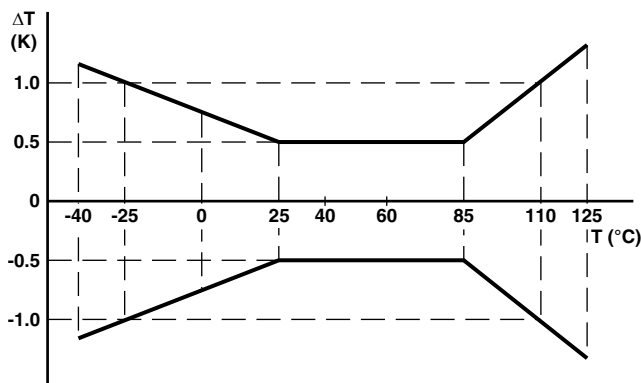
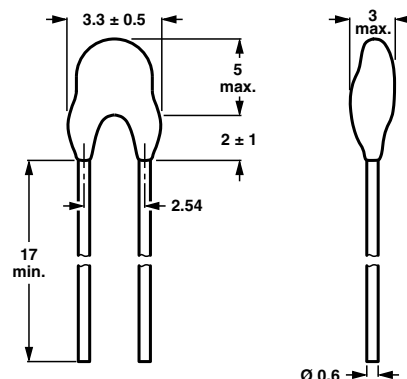
MOUNTING

By soldering in any position. Not intended for potted applications.

DESIGN-IN SUPPORT

For complete curve computation, please visit: www.vishay.com/thermistors/ntc-curve-list/.

ELECTRICAL DATA AND ORDERING INFORMATION					
R_{25} (Ω)	R_{25} -TOL. (± %)	$B_{25/85}$ (K)	$B_{25/85}$ -TOL. (± %)	DESCRIPTION	SAP MATERIAL AND ORDERING NUMBER
4700	2.19	3977	0.75	NTC copper 0.6 lead 4.7K special tol bulk e3	NTCLE101E3472SB0
10 000	2.19	3977	0.75	NTC copper 0.6 lead 10K special tol bulk e3	NTCLE101E3103SB0
47 000	2.23	4090	1.5	NTC copper 0.6 lead 47K special tol bulk e3	NTCLE101E3473SB0
100 000	2.29	4190	1.5	NTC copper 0.6 lead 100K special tol bulk e3	NTCLE101E3104SB0

TEMPERATURE ACCURACY GRAPH

DIMENSIONS in millimeters




Disclaimer

ALL PRODUCT, PRODUCT SPECIFICATIONS AND DATA ARE SUBJECT TO CHANGE WITHOUT NOTICE TO IMPROVE RELIABILITY, FUNCTION OR DESIGN OR OTHERWISE.

Vishay Intertechnology, Inc., its affiliates, agents, and employees, and all persons acting on its or their behalf (collectively, "Vishay"), disclaim any and all liability for any errors, inaccuracies or incompleteness contained in any datasheet or in any other disclosure relating to any product.

Vishay makes no warranty, representation or guarantee regarding the suitability of the products for any particular purpose or the continuing production of any product. To the maximum extent permitted by applicable law, Vishay disclaims (i) any and all liability arising out of the application or use of any product, (ii) any and all liability, including without limitation special, consequential or incidental damages, and (iii) any and all implied warranties, including warranties of fitness for particular purpose, non-infringement and merchantability.

Statements regarding the suitability of products for certain types of applications are based on Vishay's knowledge of typical requirements that are often placed on Vishay products in generic applications. Such statements are not binding statements about the suitability of products for a particular application. It is the customer's responsibility to validate that a particular product with the properties described in the product specification is suitable for use in a particular application. Parameters provided in datasheets and / or specifications may vary in different applications and performance may vary over time. All operating parameters, including typical parameters, must be validated for each customer application by the customer's technical experts. Product specifications do not expand or otherwise modify Vishay's terms and conditions of purchase, including but not limited to the warranty expressed therein.

Except as expressly indicated in writing, Vishay products are not designed for use in medical, life-saving, or life-sustaining applications or for any other application in which the failure of the Vishay product could result in personal injury or death. Customers using or selling Vishay products not expressly indicated for use in such applications do so at their own risk. Please contact authorized Vishay personnel to obtain written terms and conditions regarding products designed for such applications.

No license, express or implied, by estoppel or otherwise, to any intellectual property rights is granted by this document or by any conduct of Vishay. Product names and markings noted herein may be trademarks of their respective owners.