

# C2012C0G2W152J085AA

TDK Item Description : C2012C0G2W152JT\*\*\*\*

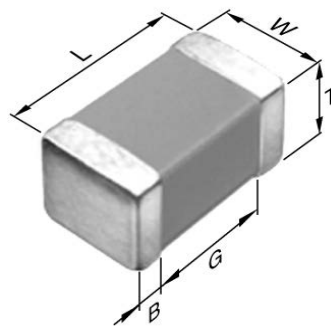


## Application & Main Feature

Commercial Grade ( Mid Voltage (100 to 630V) )

## Series

C2012 [EIA 0805]



## Dimensions

L	2.00mm ±0.20mm
W	1.25mm ±0.20mm
T	0.85mm ±0.15mm
B	0.20mm Min.
G	0.50mm Min.

## Temperature Characteristic

C0G (-55 to 125 degC 0+/-30ppm/degC)

## Rated Voltage

2W(450Vdc)

## Capacitance

1.5nF

## Capacitance Tolerance

J (±5%)

## Q Factor

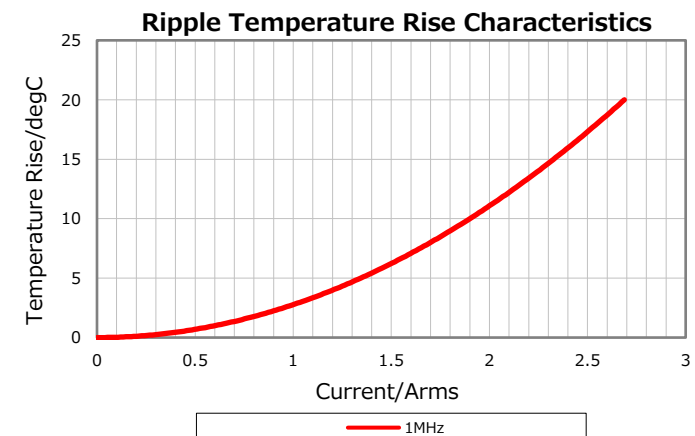
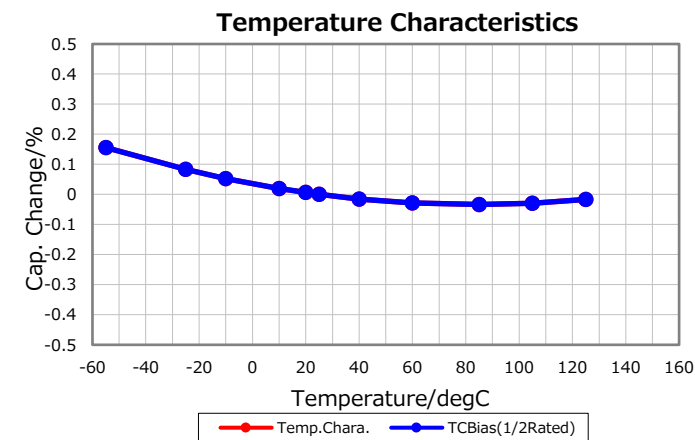
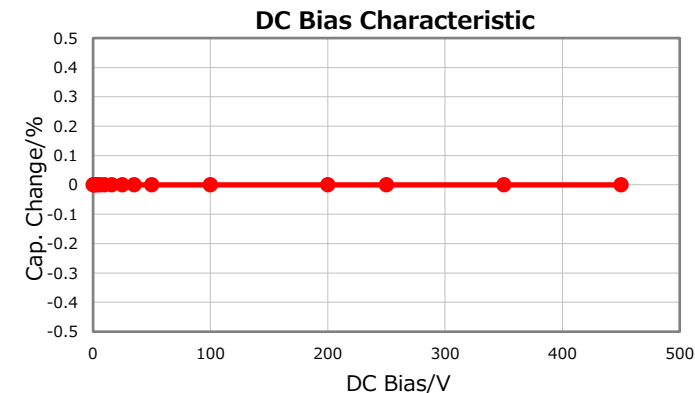
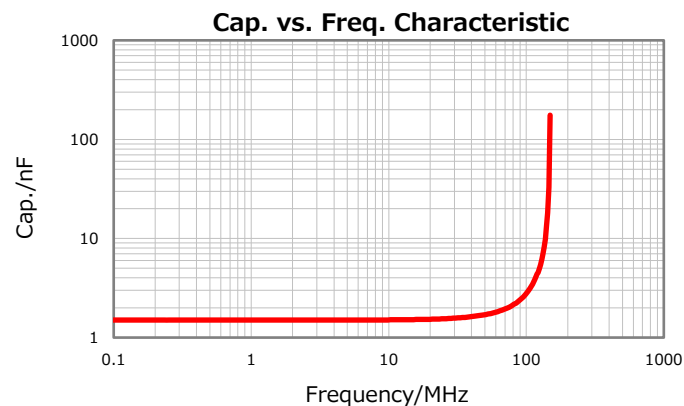
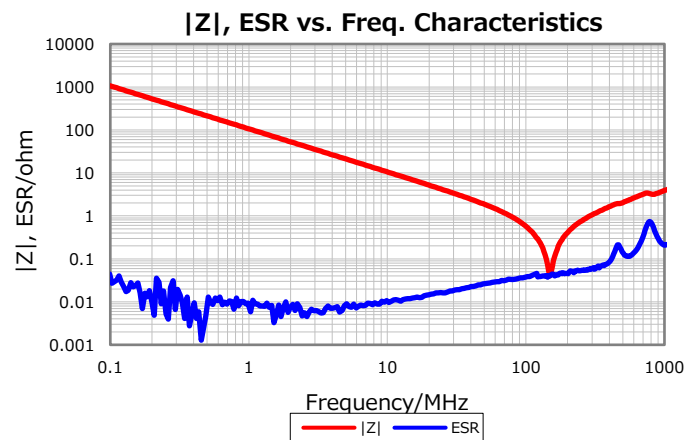
1000 Min.

## Insulation Resistance

10Gohm Min

## AEC-Q200

Not Applicable



Characterization Sheet ( Multilayer Ceramic Chip Capacitors )



All specifications are subject to change without notice.

July 2, 2019