

4

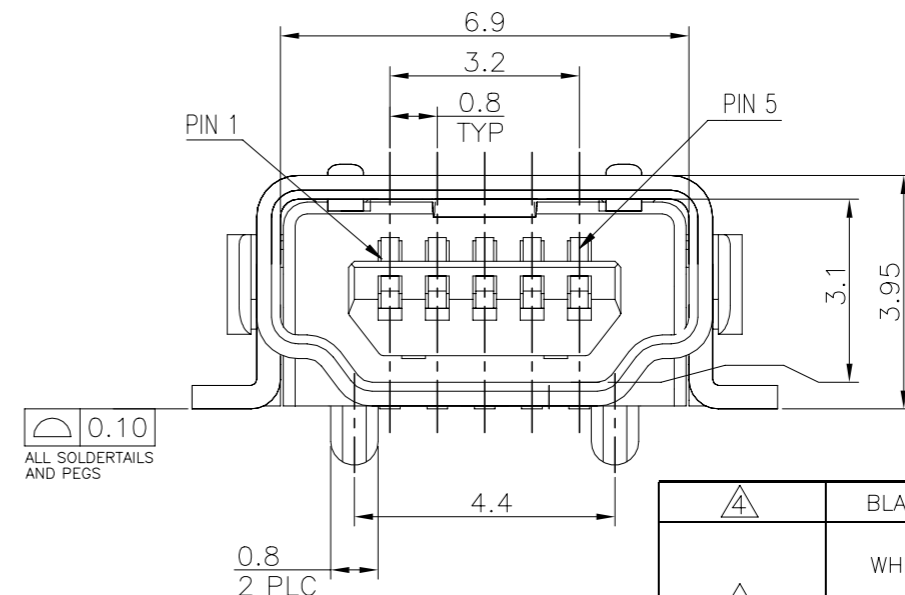
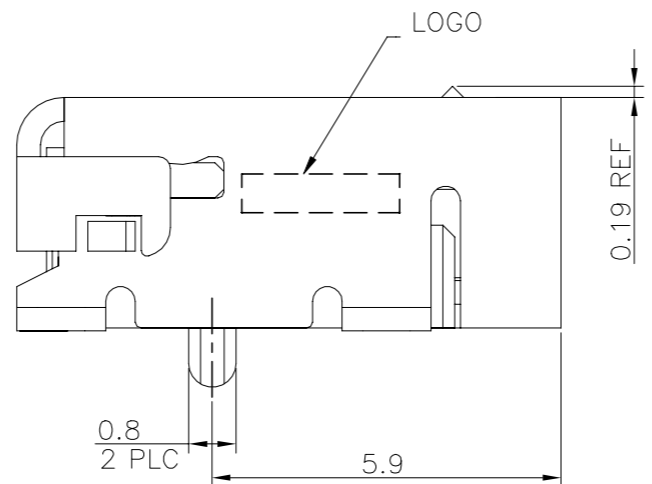
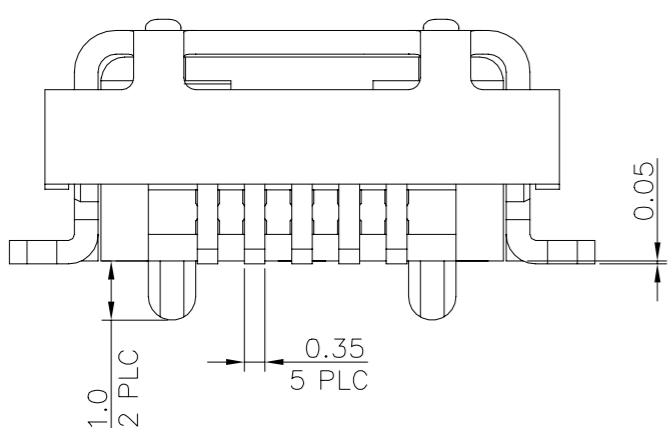
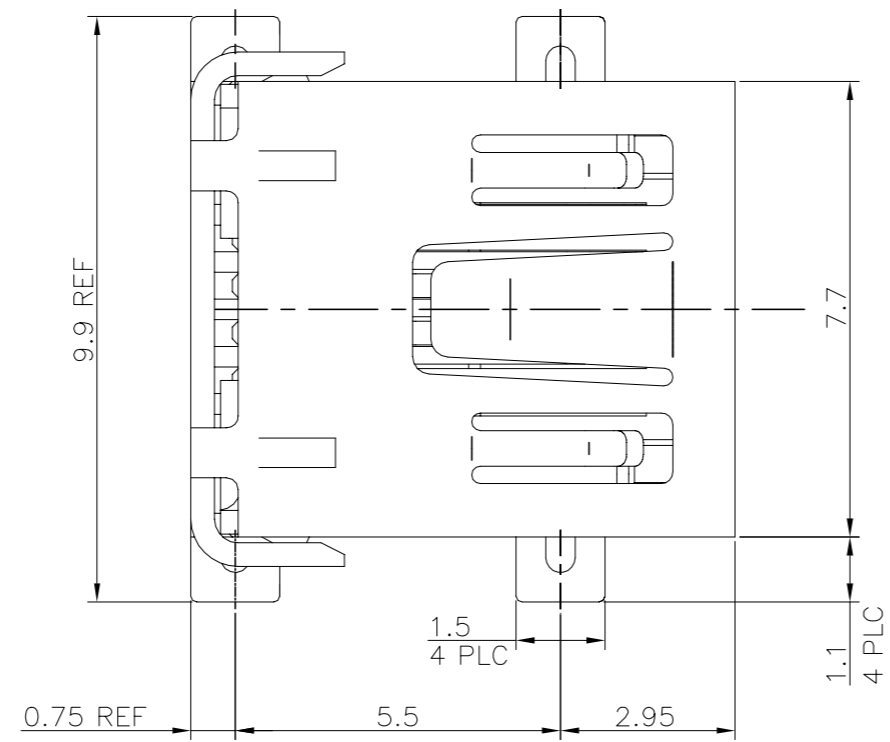
3

2

1

THIS DRAWING IS UNPUBLISHED. RELEASED FOR PUBLICATION AUG ,2006.  
 © COPYRIGHT BY TYCO ELECTRONICS CORPORATION. ALL RIGHTS RESERVED.

LOC	DIST	REVISIONS			
P	LTR	DESCRIPTION	DATE	DWN	APVD
DW	/	E	REVISED AS PER ECN-22-176158	28JUL2022	HS SZ

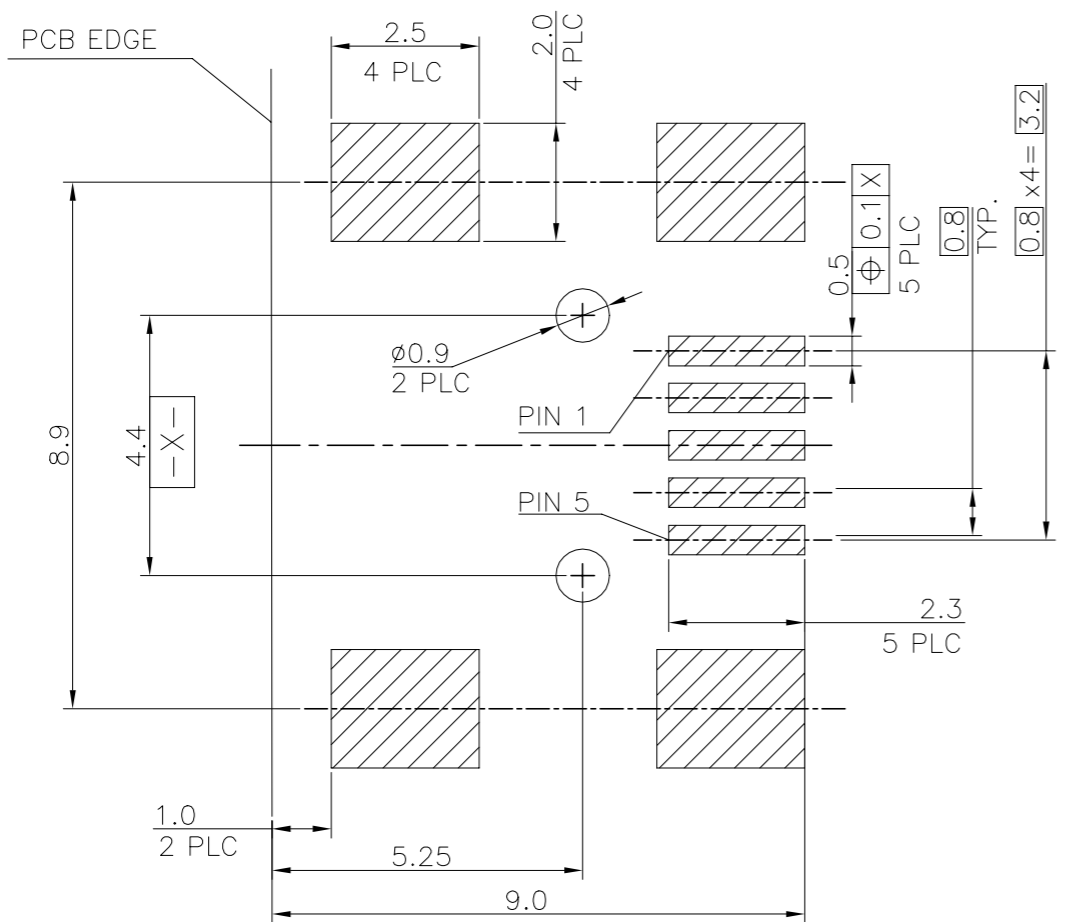


FINISH (SEE SHEET 2)	HSG. COLOR	PACKAGE	PART NUMBER
△	BLACK	REEL	2-1734327-2
	WHITE	REEL	1-1734327-2
	BLACK	TRAY	1-1734327-1
		REEL	1734327-2
	TRAY	1734327-1	

THIS DRAWING IS A CONTROLLED DOCUMENT.		DWN F. YANG 16DEC2008		
DIMENSIONS: MM		CHK S. CHIEN 16DEC2008		
TOLERANCES UNLESS OTHERWISE SPECIFIED:		APVD W. KODAMA 16DEC2008	NAME	
0 PLC ± 0.38 1 PLC ± 0.25 2 PLC ± 0.13 3 PLC ± 0.05 4 PLC ± - ANGLES ± 3°		PRODUCT SPEC	MINI USB CONNECTOR	
MATERIAL SEE SHEET 2		QUALIFICATION TEST REPORT	A SERIES, RCPT, R/A, SMT TYPE	
FINISH SEE SHEET 2		501-57070	SIZE A3	RESTRICTED TO
SEE SHEET 2		WEIGHT 0.76 GRAMS	CAGE CODE 00779	DRAWING NO 1734327
CUSTOMER DRAWING		SCALE -	SHEET 1 OF 4	REV E

THIS DRAWING IS UNPUBLISHED. RELEASED FOR PUBLICATION AUG ,2006.  
 © COPYRIGHT BY TYCO ELECTRONICS CORPORATION. ALL RIGHTS RESERVED.

LOC	DIST	REVISIONS			
P	LTR	DESCRIPTION	DATE	DWN	APVD
DW		SEE SHEET 1.			



RECOMMENDED PCB LAYOUT (MOUNTING SIDE)  
 (THICKNESS=1.57mm) (TOLERANCE=±0.05mm)

- NOTES:
- MATERIAL:  
 HOUSING: PA9T ,WITH 30% GF, UL 94V-0, COLOR: SEE TABLE.  
 CONTACT: PHOSPHOR BRONZE, THICKNESS:0.25±0.05mm.  
 SHELL: PHOSPHOR BRONZE, THICKNESS:0.40±0.05mm.
  - FINISH:  
 CONTACTS: GOLD FLASH OVER 0.76µm [30µ"] MIN. PALLADIUM-NICKEL OR ALTERNATIVE 0.76µm[30µ"] MIN. GOLD PLATED ON CONTACT AREA, 2.54µm [100µ"] MIN. MATTE-TIN PLATED ON OLDER TAILS: 1.27µm [50µ"] MIN. NICKEL UNDERPLATED ALL OVER.  
 SHELL: 1.27µm [50µ"] MIN. NICKEL PLATED ALL OVER
  - REFLOW SOLDER CAPABLE TO 260°C PER TE SPEC 109-201 CONDITION B.
  - FINISH:  
 CONTACTS: GOLD FLASH OVER 0.76µm [30µ"] MIN. PALLADIUM-NICKEL OR ALTERNATIVE 0.76µm [30µ"] MIN. GOLDPLATED ON CONTACT AREA, 3.0µm [118µ"] MIN. MATTE-TIN PLATED ON SOLDER TAILS : 1.27µm [50µ"] MIN. NICKEL UNDERPLATED OVERALL.  
 SHELL: 0.76~2.28µm [30~90µ"] MATTE TIN 1.27µm [50µ"] MIN. NICKEL UNDERPLATED

THIS DRAWING IS A CONTROLLED DOCUMENT.		DWN	TE Connectivity		
DIMENSIONS: MM		CHK			
TOLERANCES UNLESS OTHERWISE SPECIFIED:		APVD	NAME		
0 PLC ± -		PRODUCT SPEC	MINI USB CONNECTOR		
1 PLC ± -		APPLICATION SPEC	A SERIES, RCPT, R/A, SMT TYPE		
2 PLC ± -		WEIGHT	SIZE	CAGE CODE	DRAWING NO
3 PLC ± -		CUSTOMER DRAWING	A3	00779	1734327
4 PLC ± -			SCALE	SHEET	REV
ANGLES ± -			-	2 OF 4	E
FINISH					

4

3

2

1

THIS DRAWING IS UNPUBLISHED.

RELEASED FOR PUBLICATION

AUG ,2006.

© COPYRIGHT - BY TYCO ELECTRONICS CORPORATION. ALL RIGHTS RESERVED.

LOC

DIST

REVISIONS

DW

P

LTR

DESCRIPTION

DATE

DWN

APVD

SEE SHEET 1.

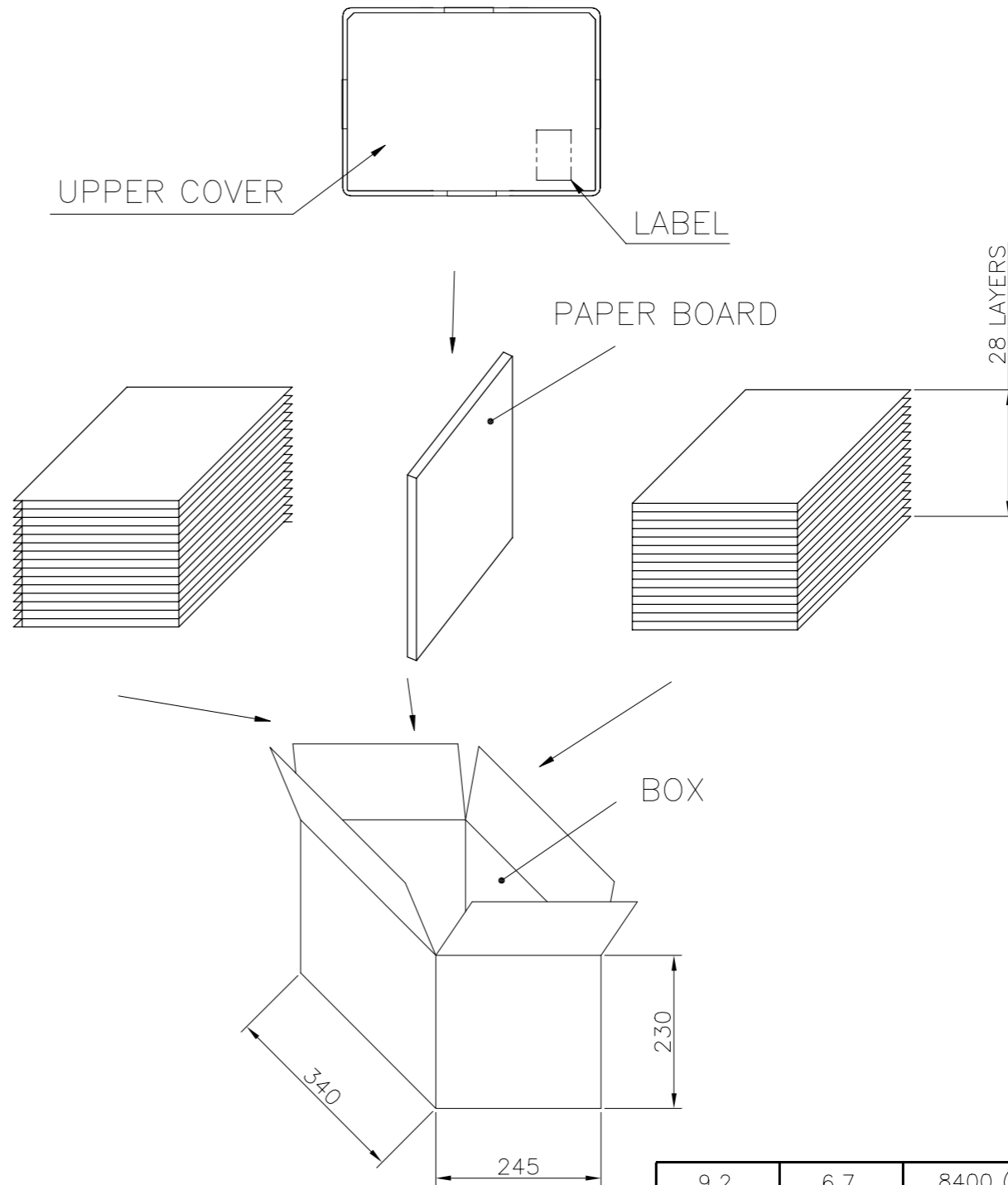
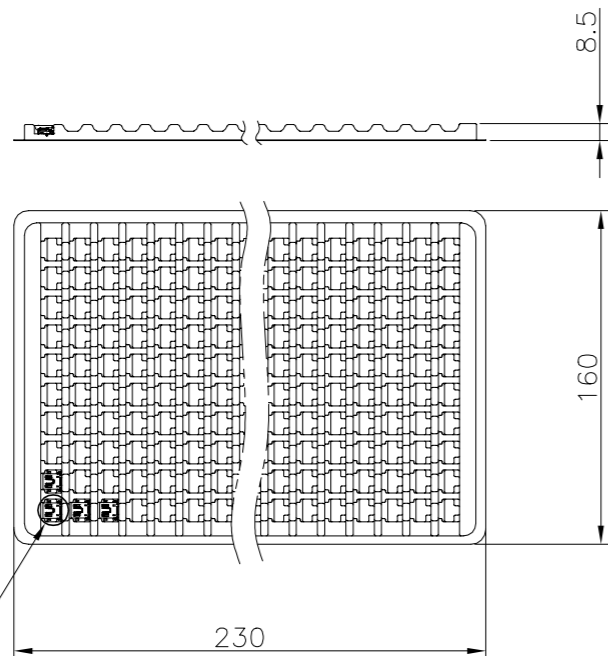
UPPER COVER

LABEL

PAPER BOARD

BOX

28 LAYERS



9.2	6.7	8400 (56 TRAYS)	150
G.W(KGS)	N.W(KGS)	QUANTITY/ BOX	PCS/ TRAY

THIS DRAWING IS A CONTROLLED DOCUMENT.		DWN	<b>STE</b> TE Connectivity	
DIMENSIONS: MM		CHK		
TOLERANCES UNLESS OTHERWISE SPECIFIED:		APVD	NAME	
0 PLC ± -		PRODUCT SPEC	MINI USB CONNECTOR A SERIES, RCPT, R/A, SMT TYPE	
1 PLC ± -		APPLICATION SPEC		
2 PLC ± -		WEIGHT	SIZE	CAGE CODE
3 PLC ± -		CUSTOMER DRAWING	A3	00779
4 PLC ± -		SCALE	DRAWING NO	
ANGLES ± -		SHEET	1734327	
MATERIAL		REV	RESTRICTED TO	
FINISH		3 OF 4	-	
		E		

4

3

2

1

THIS DRAWING IS UNPUBLISHED.

RELEASED FOR PUBLICATION

AUG ,2006.

© COPYRIGHT - BY TYCO ELECTRONICS CORPORATION.

ALL RIGHTS RESERVED.

LOC

DIST

REVISIONS

DW

P

LTR

DESCRIPTION

DATE

DWN

APVD

SEE SHEET 1.

UNREELING DIRECTION

Dimensions:  $1.75 \pm 0.10$ ,  $2.00 \pm 0.10$ ,  $4.00 \pm 0.10$ ,  $\phi 1.55 \pm 0.05$ ,  $24.0 \pm 0.30$ ,  $11.5$ ,  $12.41$  REF.,  $16.0$ ,  $11.21$  REF.

DETAIL A

13" REEL

SECTION A-A

5.95

5 LAYERS

BOX

348

348

190

NOTES:

1. APPLICABLE DOCUMENT: EIA-481-2
2. PACKAGE: 700 PCS/REEL, 5 REELS/BOX  
W.G.:6.5Kg, N.G.: 5.5Kg
3. QUANTITY: 3500 PCS.

6.5	5.5	3500	700
G.W(KGS)	N.W(KGS)	QUANTITY/ BOX	PCS/ REEL

THIS DRAWING IS A CONTROLLED DOCUMENT.		DWN	TE Connectivity	
DIMENSIONS: MM		CHK		
TOLERANCES UNLESS OTHERWISE SPECIFIED:		APVD	NAME	
0 PLC ± -		PRODUCT SPEC	MINI USB CONNECTOR	
1 PLC ± -		APPLICATION SPEC	A SERIES, RCPT, R/A, SMT TYPE	
2 PLC ± -		WEIGHT	SIZE	CAGE CODE
3 PLC ± -		CUSTOMER DRAWING	A3	00779
4 PLC ± -		SCALE	DRAWING NO	
ANGLES ± -		SHEET	1734327	
FINISH		4 OF 4	RESTRICTED TO	
MATERIAL		REV	-	
		E		

AMP 1470-19 REV 31MAR2000