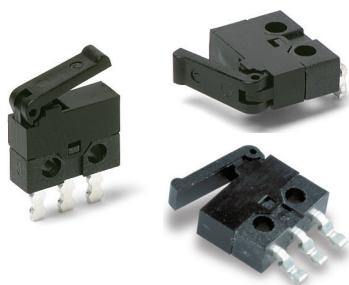


MDS Series Micro Snap-acting Detect Switches



Features/Benefits

- Snap-acting tactile feel
- Small package size
- Available in vertical or right angle PCB mount
- RoHS compliant and compatible

Typical Applications

- Detect the presence of a mechanical device
- Medical devices
- Consumer electronic devices
- ATCA or MicroTCA devices

Specifications

CONTACT RATING: 300mA @ 30 VDC.
 MECHANICAL & ELECTRICAL LIFE: 30,000 operations.
 CONTACT RESISTANCE: 100 m Ω max.
 OPERATING TEMPERATURE: -25°C to +70°C.
 SOLDERABILITY: According to lead free solder profiles.
 PACKAGING: Available in bulk or tape and reel.
 OPERATING FORCE: 50 g Max.
 RELEASE FORCE: 3g Min.

Materials

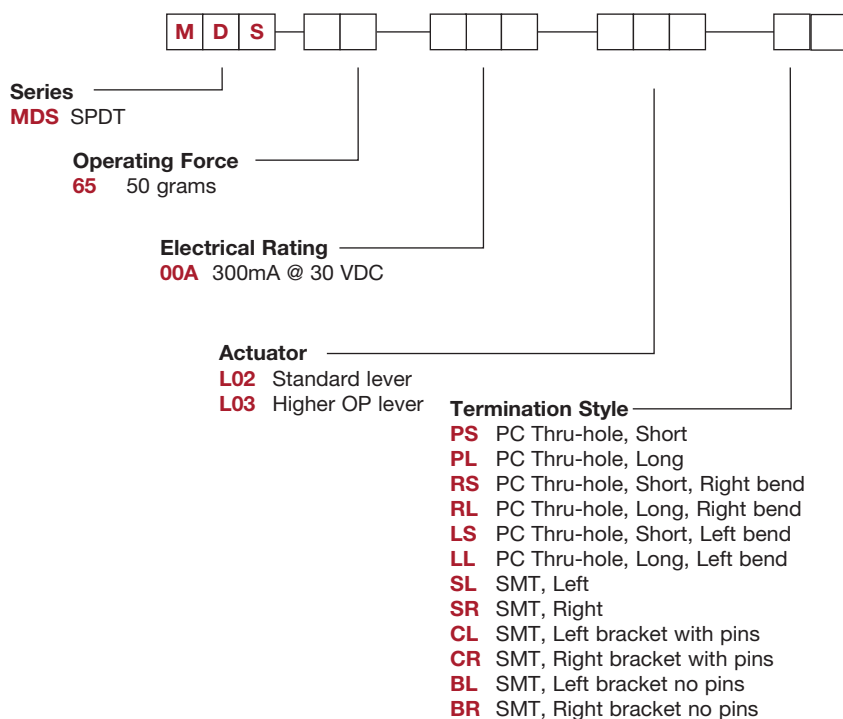
BASE: PA9T
 COVER & ACTUATOR: PA9T
 MOVABLE CONTACT: Copper alloy, silver plated.
 STATIONARY CONTACTS: Copper alloy, silver plated.
 TERMINALS: Copper alloy, silver plated.

NOTE: MDS series is RoHS compliant, and compatible. See technical data section of this catalog for RoHS compliant and compatible definitions and specifications.

NOTE: Specifications and materials listed above are for switches with standard options. For information on specific and custom switches, consult Customer Service Center.

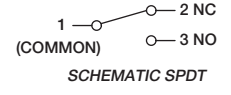
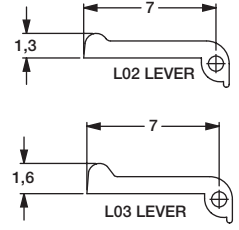
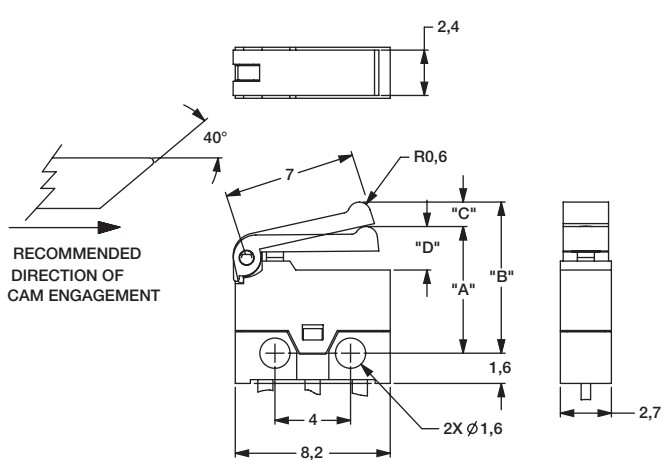
Build-A-Switch

To order, simply select desired option from each category and place in the appropriate box. Available options are shown and described on pages E-21 and E-25. For additional options not shown in catalog, consult Customer Service Center.



MDS Series Micro Snap-acting Detect Switches

SERIES **MDS**



| OPERATING CHARACTERISTICS | | LEVER L02 | LEVER L03 |
|---------------------------|---------|-----------------|-----------------|
| OPERATING POSITION | DIM 'A' | 6.7±0.5 | 7.0 +/-0.5 |
| FREE POSITION | DIM 'B' | 8 MAX | 8.5 MAX |
| PRETRAVEL | DIM 'C' | 1.8 MAX | 1.8 MAX |
| OVER TRAVEL | DIM 'D' | 0.3 MIN | 0.3 MIN |
| CONTACT RATING | | 0.3A @ 30 VDC | 0.3A @ 30VDC |
| OPERATING FORCE | | 50 GRAMS F. MAX | 50 GRAMS F. MAX |

OPERATING FORCE

| OPTION CODE | OPERATING FORCE |
|-------------|-----------------|
| 65 | 50 grams max. |

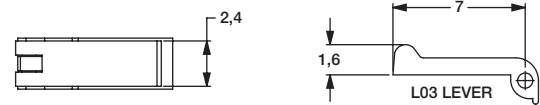
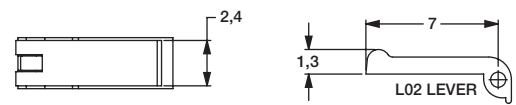
ELECTRICAL RATING

| OPTION CODE | ELECTRICAL RATING |
|-------------|-------------------|
| 00A | 300mA @ 30 V DC |

ACTUATOR

L02 STANDARD LEVER

L03 HIGHER OP LEVER



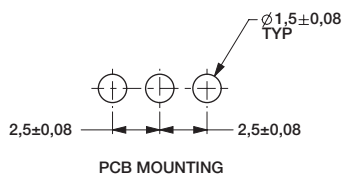
Dimensions are shown: mm
Specifications and dimensions subject to change



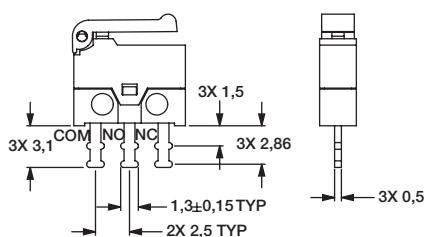
MDS Series Micro Snap-acting Detect Switches

TERMINATIONS

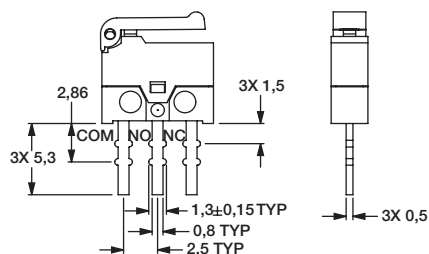
PCB Mounting Pattern



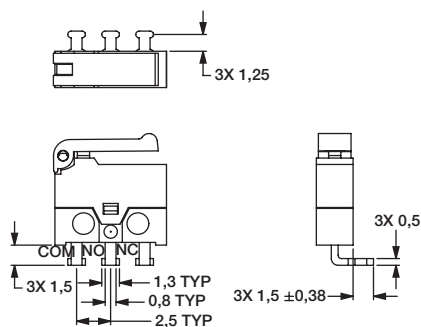
PS PC THRU-HOLE, SHORT STRAIGHT



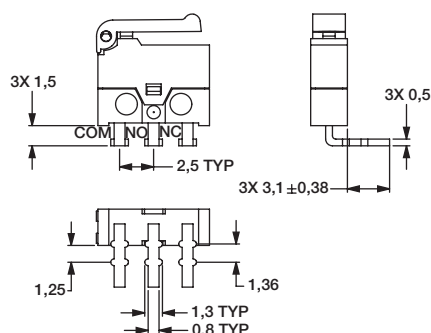
PL PC THRU-HOLE, LONG STRAIGHT



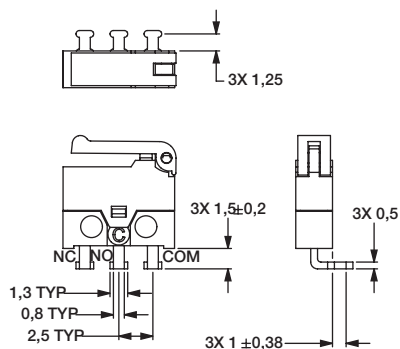
RS PC THRU-HOLE, SHORT RIGHT BEND



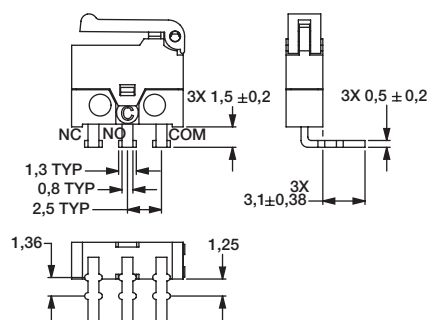
RL PC THRU-HOLE, LONG RIGHT BEND



LS PC THRU-HOLE, SHORT LEFT BEND



LL PC THRU-HOLE, LONG LEFT BEND



E

Detect



Third Angle
Projection

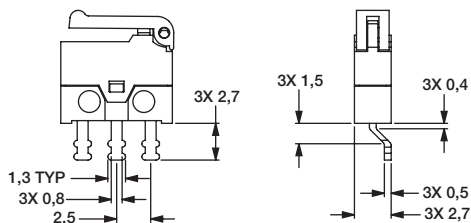
Dimensions are shown: mm
Specifications and dimensions subject to change

MDS Series Micro Snap-acting Detect Switches

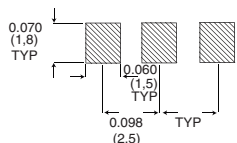
TERMINATIONS



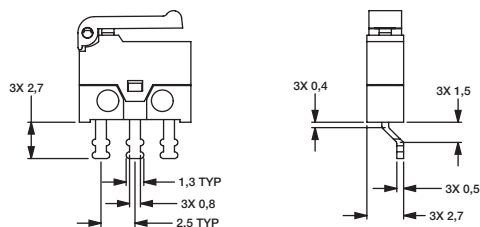
SL SMT, LEFT MOUNT



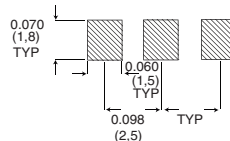
SMT Mounting Pattern



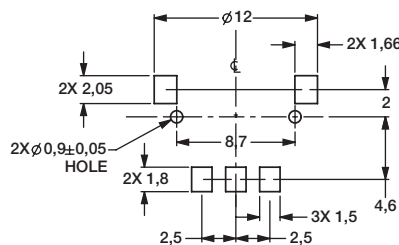
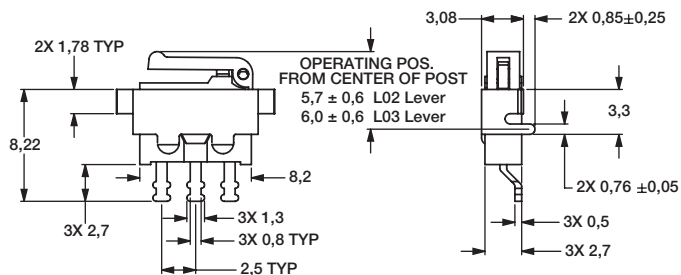
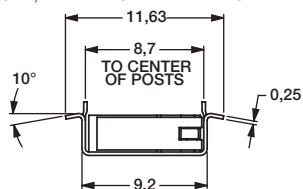
SR SMT, RIGHT MOUNT



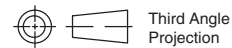
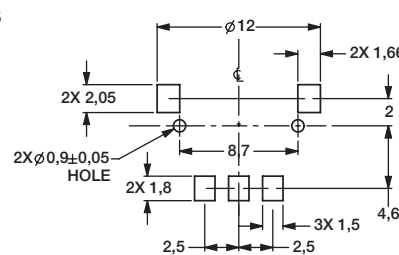
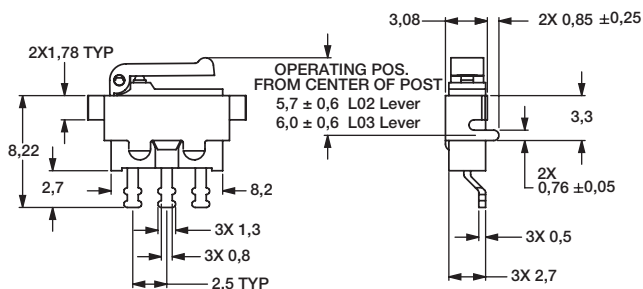
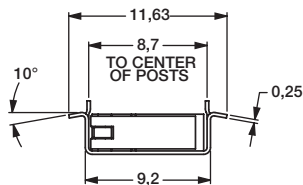
SMT Mounting Pattern



CL SMT, LEFT BRACKET WITH PINS



CR SMT, RIGHT BRACKET WITH PINS



Third Angle
Projection

Dimensions are shown: mm

Specifications and dimensions subject to change

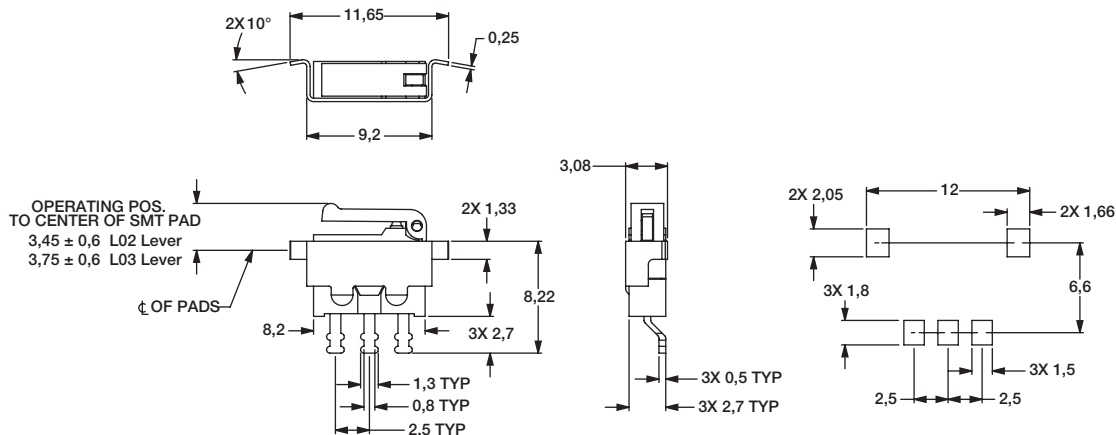


Detect

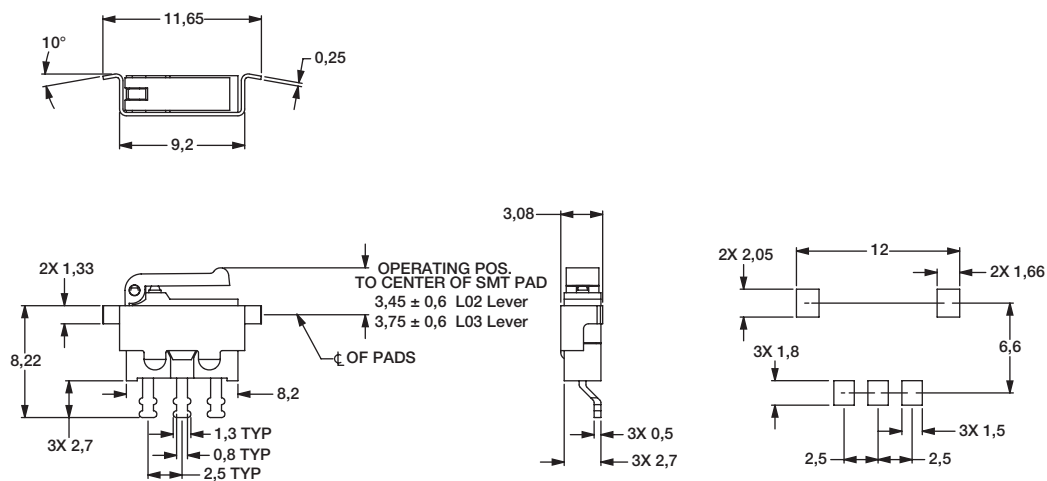
MDS Series Micro Snap-acting Detect Switches

TERMINATIONS

BL SMT, LEFT BRACKET NO PINS

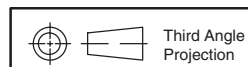


BR SMT, RIGHT BRACKET NO PINS



E

Detect



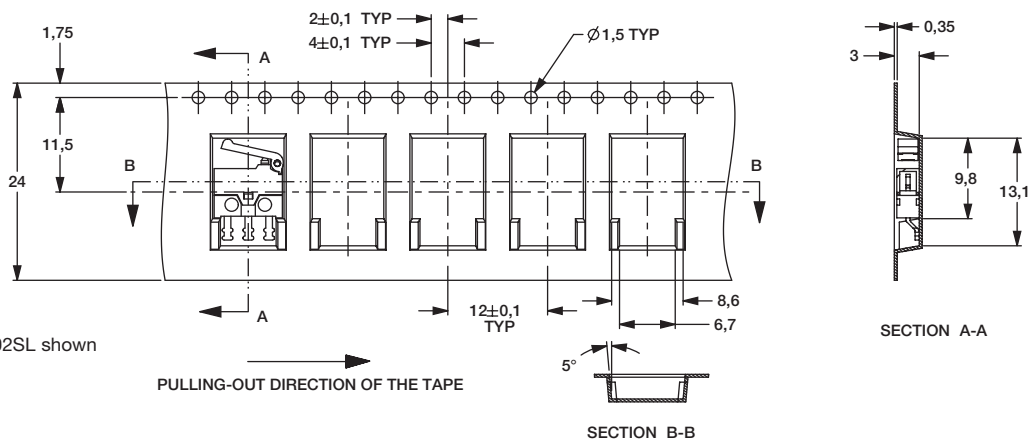
Dimensions are shown: mm
Specifications and dimensions subject to change

MDS Series Micro Snap-acting Detect Switches

TAPE & REEL

SL SMT, LEFT MOUNT

SR SMT, RIGHT MOUNT



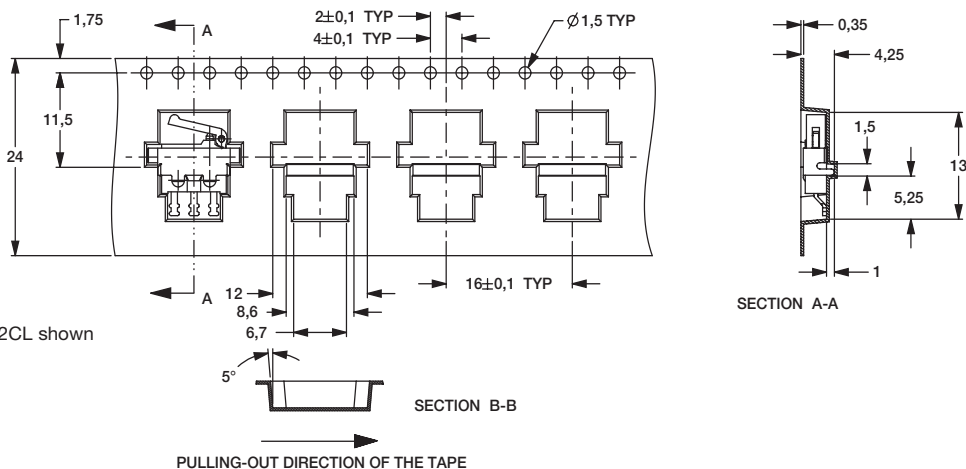
MDS6500AL02SL shown

CL SMT, LEFT MOUNT

CR SMT, RIGHT MOUNT

BL SMT, LEFT MOUNT

BR SMT, RIGHT MOUNT



MDS6500AL02CL shown

Supplied in carrier tape meeting the EIA-481-2 standard for 24mm tape.

Packaging quantity: SL and SR; 1,600 pieces per reel
CL, CR, BL and BR; 1,000 pieces per reel



Detect