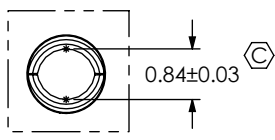
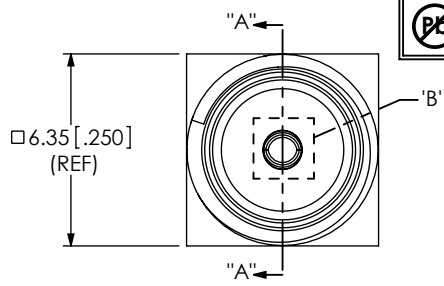


DO NOT SCALE FROM THIS PRINT

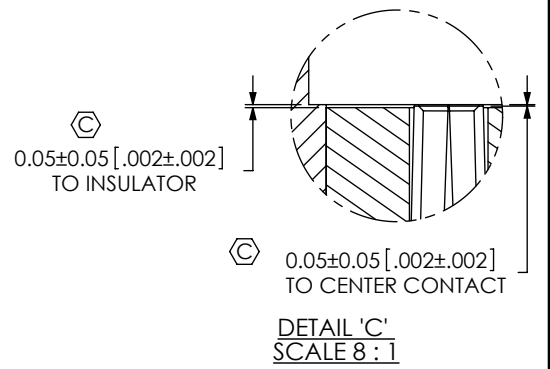
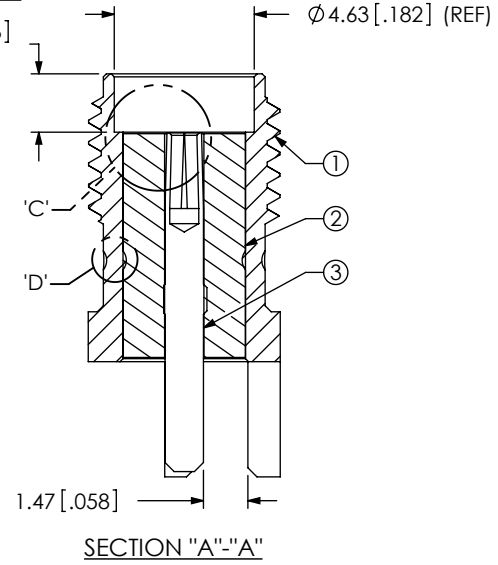
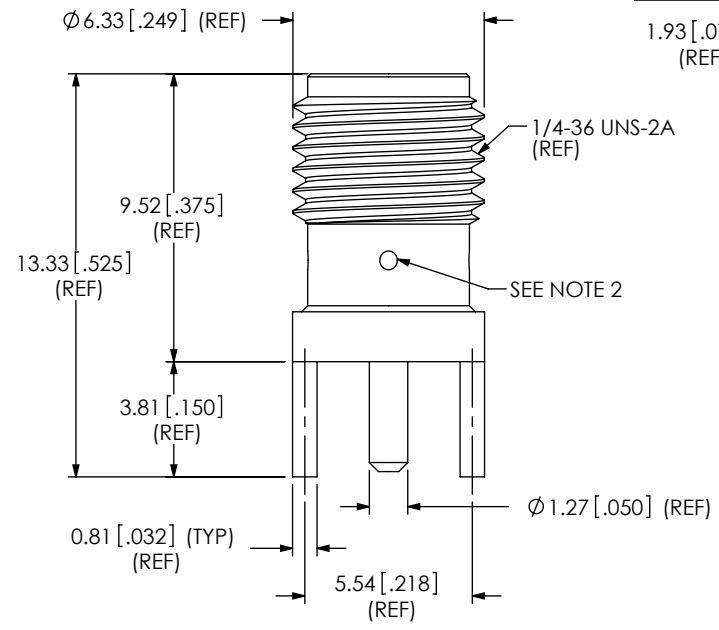
**THIS PRODUCT MANUFACTURED WITH LEAD-FREE PROCESSING**

**DESIGNED & DIMENSIONED IN MILLIMETERS [INCHES]**

**SMA-J-P-X-ST-EM1**  
 GENDER -J: JACK  
 TYPE -P: PCB  
 TERMINATION -EM1: EDGE MOUNT  
 ORIENTATION -ST: STRAIGHT



PLATING SPECIFICATION  
 -H: 30μ" GOLD CENTER CONTACT,  
 3μ" GOLD OUTER CONTACT  
 (SEE TABLE 1)



**TABLE 1**

ITEM	COMPONENT	-H
1	SHELL	SMA-J-P-F-ST-EM1-SHL
2	INSULATOR	SMA-INS-006
3	SOCKET	SMA-SKT-005-H

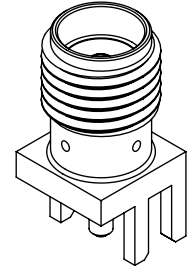
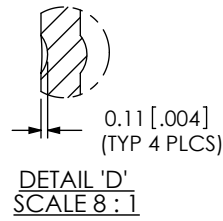
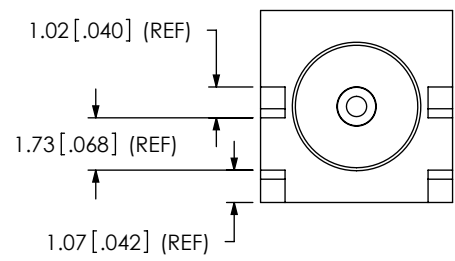
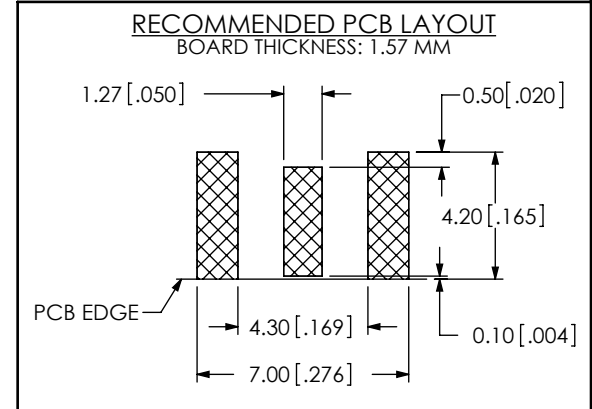


FIG 1  
SMA-J-P-X-ST-EM1 SHOWN



NOTES:

1. REPRESENTS A CRITICAL DIMENSION.
2. STAKE AROUND CIRCUMFERENCE 4 INDENTS EQUALLY SPACED.
3. PUSHOUT FORCE FOR INSULATOR: 44.48 N [10 LB] MIN.
4. CENTER CONTACT PUSHOUT FORCE: 13.35 N [3 LB] MIN.
5. PARTS TO BE PACKAGED IN TRAYS; IF QUANTITY IS LESS THAN HALF TRAY, PARTS TO BE PACKAGED IN COHESIVE FOAM
6. NOTE DELETED.
7. NOTE DELETED.
8. NOTE DELETED.

UNLESS OTHERWISE SPECIFIED, DIMENSIONS ARE IN MILLIMETERS [INCHES]. TOLERANCES ARE:  
 DECIMALS ANGLES  
 .X: ±0.3 [0.01] 5°  
 .XX: ±0.13 [0.005]  
 .XXX: ±0.051 [0.0020]

**PROPRIETARY NOTE**  
 THIS DOCUMENT CONTAINS INFORMATION CONFIDENTIAL AND PROPRIETARY TO SAMTEC, INC. AND SHALL NOT BE REPRODUCED OR TRANSFERRED TO OTHER DOCUMENTS OR DISCLOSED TO OTHERS OR USED FOR ANY PURPOSE OTHER THAN THAT WHICH IT WAS OBTAINED WITHOUT THE EXPRESSED WRITTEN CONSENT OF SAMTEC, INC.



520 PARK EAST BLVD, NEW ALBANY, IN 47150  
 PHONE: 812-944-6733 FAX: 812-948-5047  
 e-Mail: info@SAMTEC.com code: 55322

**MATERIAL:** SHELL: BRASS SOCKET: COPPER ALLOY DIELECTRIC: PTFE  
 DO NOT SCALE DRAWING SHEET SCALE: 4:1

DESCRIPTION: SMA STRAIGHT, EDGE MOUNT JACK- 50 OHM

DWG. NO. SMA-J-P-X-ST-EM1

BY: R MUSSER 01/28/2008 SHEET 1 OF 1