

DESIGN/PROCESS CHANGE NOTIFICATION

This is to inform you that a change is being made to the following products.

This is a minor change that has no impact on product quality, reliability, electrical or mechanical performance. Affected products will remain fully compliant to all published specifications. Notification is being made for informational purposes only and there is no approval required. Products incorporating this change may be shipped interchangeably with existing unchanged products.

Please contact your local Customer Quality Engineer if you have any questions regarding this notification. Alternatively, you may send an email request for information to PCNSupport@fairchildsemi.com.

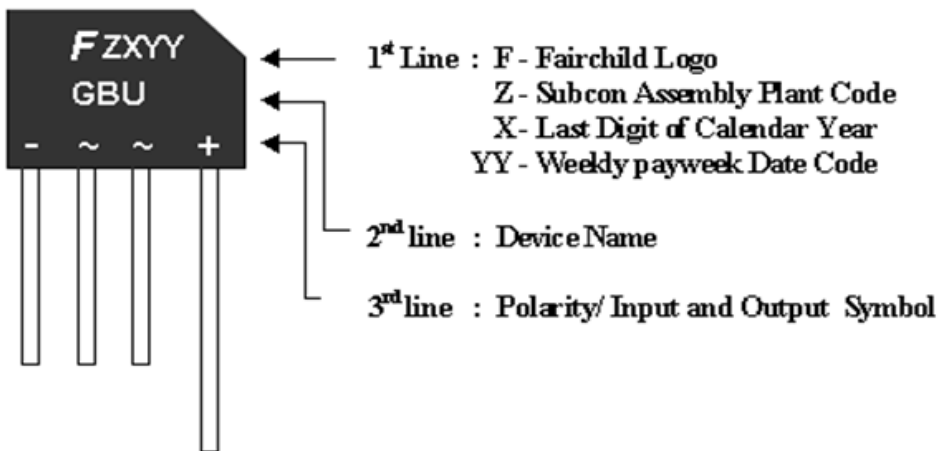
Implementation of change:

Expected First Shipment Date for Changed Product : Jul. 01, 2013

Expected First Date Code of Changed Product :1327

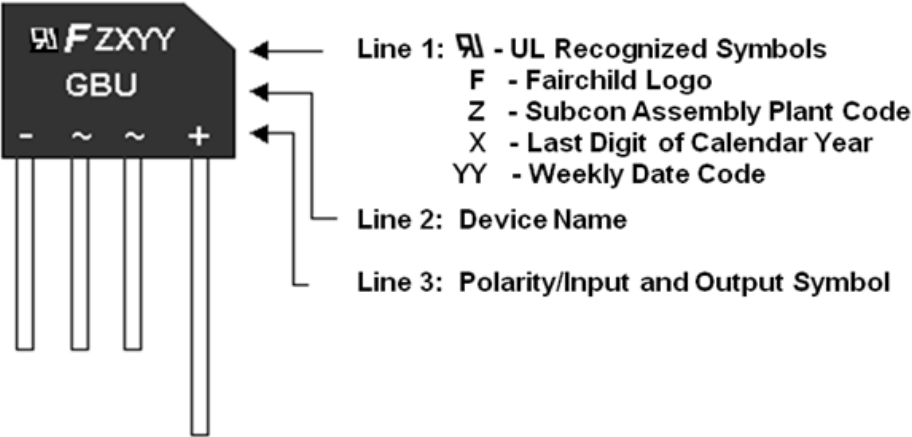
Description of Change (From) :

The device in the attached list are currently without UL certification marking"UR".



Description of Change (To) :

Addition of "UR" on affected device marking before logo. There is no change to the form, fit and function of the device.



Reason for Change:
To reflect UL certification on package surface marking.

Affected Product(s):

GBU4A	GBU4B	GBU4D
GBU4G	GBU4J	GBU4K
GBU4M	GBU6A	GBU6B
GBU6D	GBU6G	GBU6J
GBU6K	GBU6M	GBU8A
GBU8B	GBU8D	GBU8G
GBU8J	GBU8K	GBU8M