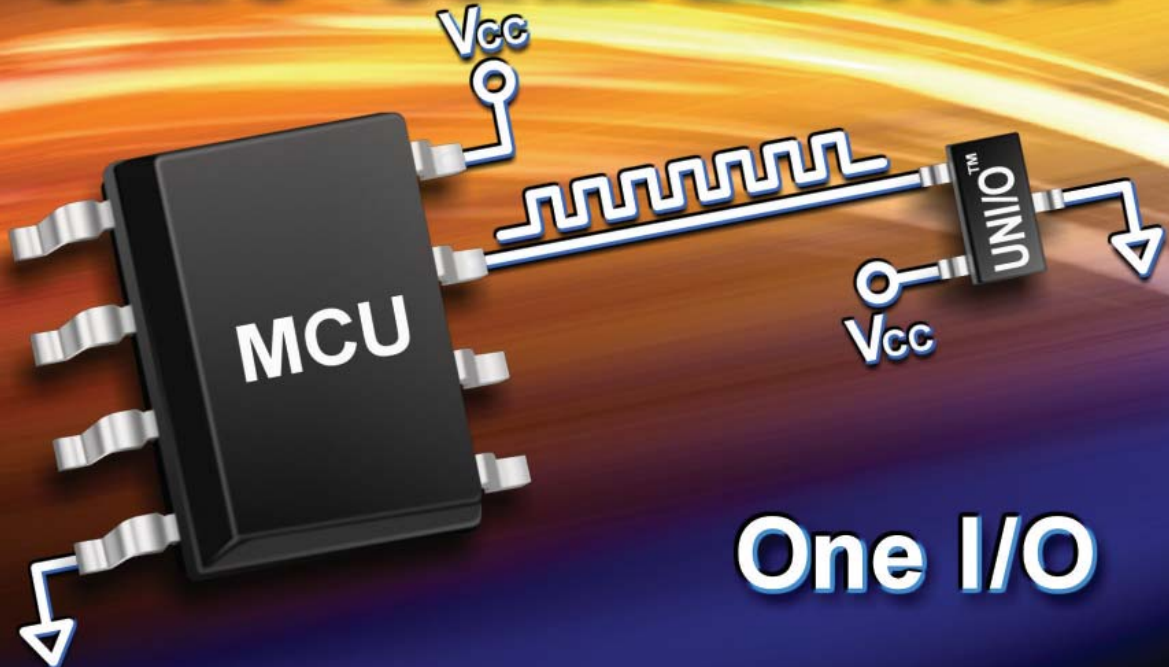




**UNI/O™ Serial EEPROMs**  
**Single I/O Bus Interface**

**UNI/O™ Serial EEPROM**



**One I/O**

# Introducing the UNI/O EEPROM Family

**Need more microcontroller pins for new features?**

**Want to stay with a low pin-count microcontroller rather than switching to a more expensive one?**

Microchip's new UNI/O serial EEPROM uses only ONE connection to the host microcontroller. This compares to two or three pins for I<sup>2</sup>C™, and three to six pins for Microwire or SPI buses. This new, proprietary bus offers advanced features like a status register and write protection on demand, along with all I/O, memory array and command functions through a single pin.

## New Communications Standard

**UNI/O bus: First introduced on serial EEPROMs**

- Manchester Communications
  - Clock and data in a single serial bit stream
  - Signal transition in the middle of bit period
- MCU establishes data rate
- EEPROM tracks data rate – Frequency and Phase
- Software Addressable

## Benefits

**A single I/O EEPROM can simplify your design and reduce system cost**

- Free up pins on the MCU
  - Add a new feature to your application
  - Move to a smaller MCU
- Free up pins on your connector
  - Smaller connector = lower cost
- More compact design

## Advanced Features

- Single I/O Interface
- 1-16 Kbit Memory Densities
- 1.8-5.5V Operating Voltage
- 10-100 KHz Operating Frequency
- 1 Million Erase/Write Cycles
- Software Write Protect
  - ¼, ½ or Full Array
- Status Register
- Set/Erase entire memory with a single command
- ESD Protection > 4 KV
- Noise Filtration Circuitry
- Packaging: 3-pin SOT-23  
8-pin SOIC, MSOP & TDFN
- Temperature: Industrial (-40°C to +85°C)  
Extended (-40°C to +125°C)

## Get Started With a Simple Evaluation

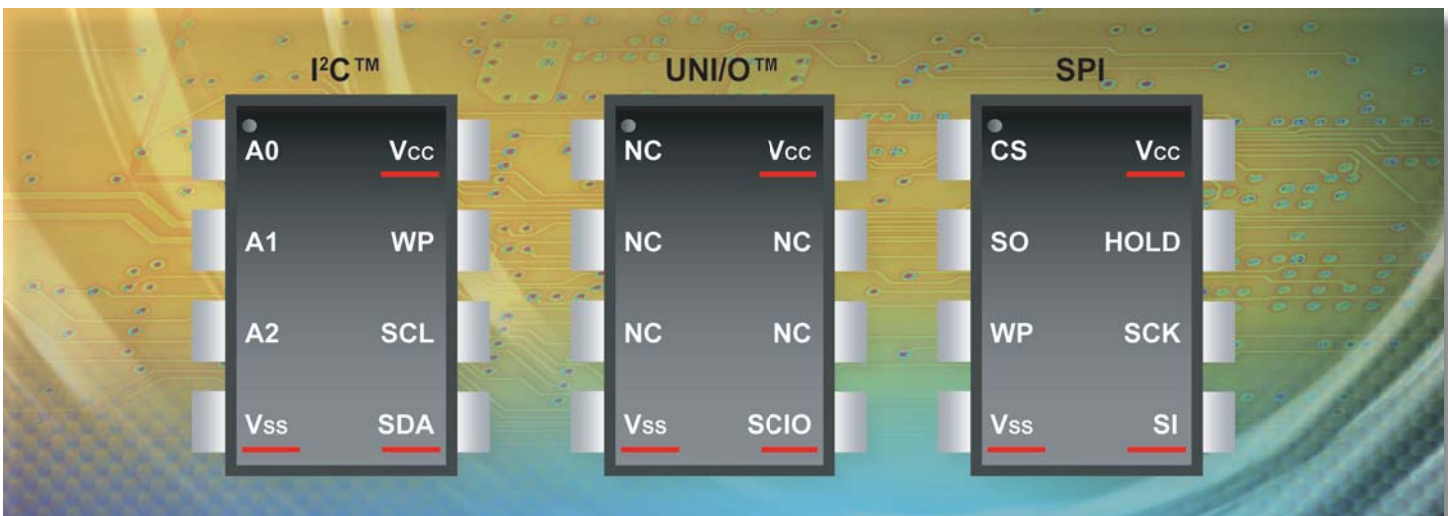
**Use your existing hardware**

- UNI/O EEPROMs can fit in existing sockets
  - Pin-out similar to I<sup>2</sup>C and SPI EEPROMs
  - 8-pin packages share Vcc, Vss and Data Line

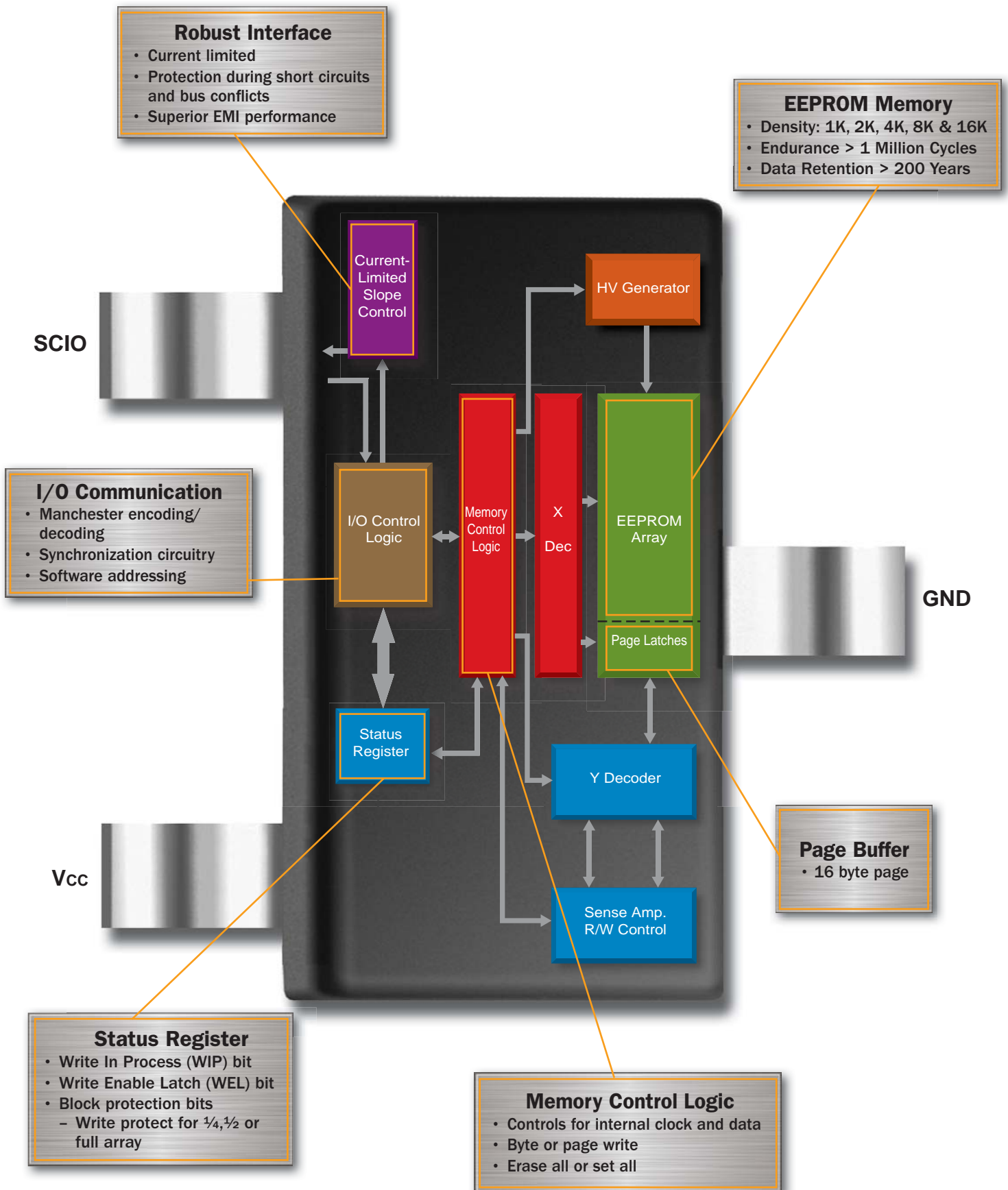
**Use Microchip's software drivers**

- UNI/O software drivers available for many popular microcontrollers
- New drivers coming

## Current EEPROM 8-lead Pin Outs



# Inside the UNI/O EEPROM



# Designing with the UNI/O Serial EEPROM

## Resources to help you get started quickly ...

### MPLAB® Starter Kit for Serial Memory Products (Part Number DV243003)



Increase productivity, reduce time to market and create a rock-solid design using this sophisticated development system. The MPLAB Starter Kit includes everything necessary to quickly program and develop a robust and reliable Serial EEPROM design, and reduce the time required for system integration and hardware/software debug.

- Windows® 2000, XP and Vista™ operating systems
- Total Endurance™ software model
- MPLAB Starter Kit board and user interface software
- Quick start guide
- Serial EEPROM sample pack

### Additional Resources

Microchip Advanced Part Selector (MAPS): [www.microchip.com/maps](http://www.microchip.com/maps)

Getting Started with UNI/O™ Webinar: <http://techtrain.microchip.com/webseminars>

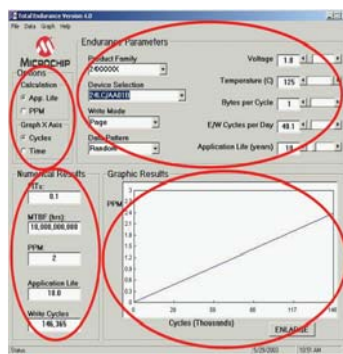
Over 50 different application notes, many with source code options can be found at: [www.microchip.com/appnotes](http://www.microchip.com/appnotes)

Get started with Microchip's Serial EEPROMs in four easy steps: [www.microchip.com/EEPROM](http://www.microchip.com/EEPROM)

### UNI/O Bus Software Drivers

MCU Family	Device	Architecture		Language	Timer Resources
		Data Bus	Instruction Word		
PIC® MCU	PIC10F202 PIC12F508 PIC16F505	8-bit	12-bit	Assembly	Firmware
PIC MCU	PIC12F609 PIC16F610	8-bit	14-bit	Assembly	Firmware
PIC MCU	PIC12F683 PIC16F616	8-bit	14-bit	Assembly	HW Peripheral
PIC MCU	PIC12F683 PIC16F616	8-bit	14-bit	C	HW Peripheral
PIC MCU	PIC18F1220	8-bit	16-bit	Assembly	Firmware
PIC MCU	PIC18F24J10	8-bit	16-bit	Assembly	HW Peripheral
PIC MCU	PIC18F24J10	8-bit	16-bit	C	HW Peripheral
PIC MCU	PIC24FJ128GA010	16-bit	24-bit	C	HW Peripheral
dsPIC® DSC	dsPIC33F256GP710	16-bit	24-bit	C	HW Peripheral
PIC MCU	PIC32XXX	32-bit	32-bit	C	HW Peripheral
ARM7 Core	AT91SAM7S256	32-bit	32-bit	C	HW Peripheral
8051	89LPC952	8-bit	8-bit	Assembly	HW Peripheral
8051	89LPC952	8-bit	8-bit	C	HW Peripheral
MSP430	MSP430F1232	16-bit	16-bit	C	HW Peripheral

### FREE Total Endurance™ Software



Microchip's Total Endurance Software provides you with unprecedented visibility into Serial EEPROM based applications. Describe your system to an advanced

mathematical model (with a friendly human interface), and it will predict the performance and reliability of the Serial EEPROM within that environment. Design trade-off analysis that formerly consumed days or weeks can now be accomplished in minutes with a level of accuracy that delivers a truly robust design.

# UNI/O Serial EEPROM Product Specifications

## UNI/O Product Family

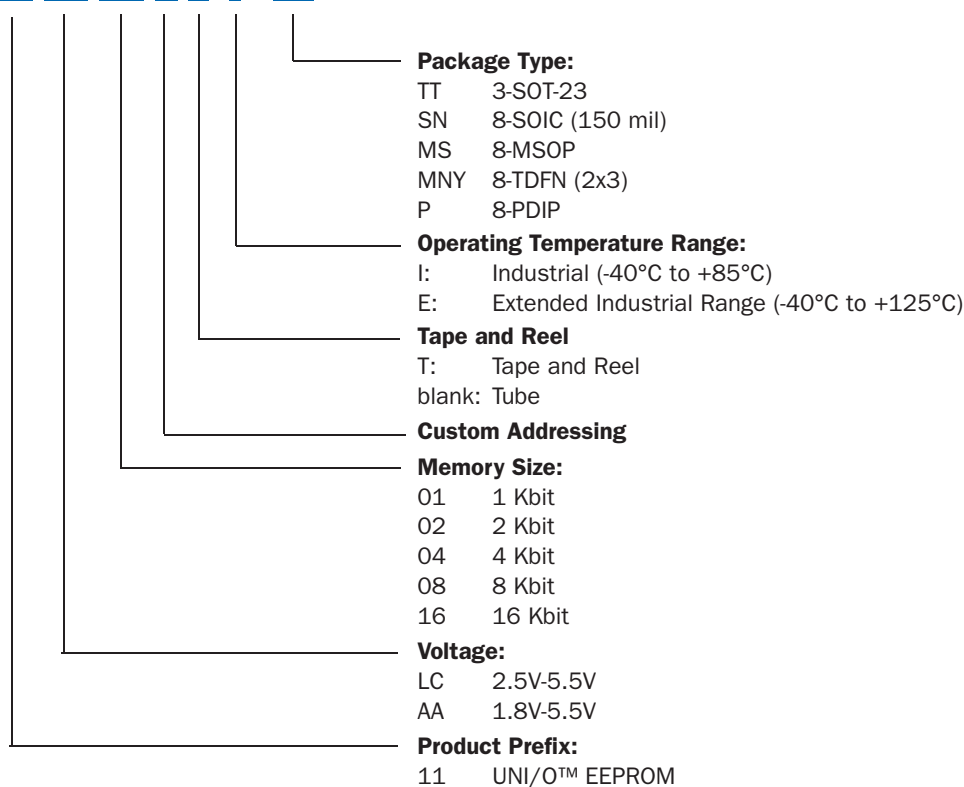
Device	Density (bits)	Organization	Page Size (bytes)	Operating Voltage	Temperature Range	Packages
11AA010	1K	128 x 8	16	1.8-5.5V	I	TT, SN, MNY, MS, P
11LC010	1K	128 x 8	16	2.5-5.5V	I, E	TT, SN, MNY, MS, P
11AA020	2K	256 x 8	16	1.8-5.5V	I	TT, SN, MNY, MS, P
11LC020	2K	256 x 8	16	2.5-5.5V	I, E	TT, SN, MNY, MS, P
11AA040	4K	512 x 8	16	1.8-5.5V	I	TT, SN, MNY, MS, P
11LC040	4K	512 x 8	16	2.5-5.5V	I, E	TT, SN, MNY, MS, P
11AA080	8K	1024 x 8	16	1.8-5.5V	I	TT, SN, MNY, MS, P
11LC080	8K	1024 x 8	16	2.5-5.5V	I, E	TT, SN, MNY, MS, P
11AA160	16K	2048 x 8	16	1.8-5.5V	I	TT, SN, MNY, MS, P
11LC160	16K	2048 x 8	16	2.5-5.5V	I, E	TT, SN, MNY, MS, P

Note: All devices are Pb-Free and RoHS compliant.

## Part Number Suffix Designations

Ordering information for Microchip UNI/O Memory products.

### 11 LC 01 0 T -I / TT



## Packages Available for UNI/O EEPROM Memory



Shown approximate size.

For the most up-to-date information visit: [www.microchip.com/UNIO](http://www.microchip.com/UNIO)

## Support

Microchip is committed to supporting its customers in developing products faster and more efficiently. We maintain a worldwide network of field applications engineers and technical support ready to provide product and system assistance. In addition, the following service areas are available at [www.microchip.com](http://www.microchip.com):

- **Support** link provides a way to get questions answered fast: <http://support.microchip.com>
- **Sample** link offers evaluation samples of any Microchip device: <http://sample.microchip.com>
- **Forum** link provides access to knowledge base and peer help: <http://forum.microchip.com>
- **Buy** link provides locations of Microchip Sales Channel Partners: [www.microchip.com/sales](http://www.microchip.com/sales)

## Sales Office Listing

### AMERICAS

#### Atlanta

Tel: 678-957-9614

#### Boston

Tel: 774-760-0087

#### Chicago

Tel: 630-285-0071

#### Cleveland

Tel: 216-447-0464

#### Dallas

Tel: 972-818-7423

#### Detroit

Tel: 248-538-2250

#### Kokomo

Tel: 765-864-8360

#### Los Angeles

Tel: 949-462-9523

#### Santa Clara

Tel: 408-961-6444

#### Toronto

Mississauga, Ontario

Tel: 905-673-0699

### EUROPE

#### Austria - Wels

Tel: 43-7242-2244-39

#### Denmark - Copenhagen

Tel: 45-4450-2828

#### France - Paris

Tel: 33-1-69-53-63-20

#### Germany - Munich

Tel: 49-89-627-144-0

#### Italy - Milan

Tel: 39-0331-742611

#### Netherlands - Drunen

Tel: 31-416-690399

#### Spain - Madrid

Tel: 34-91-708-08-90

#### UK - Wokingham

Tel: 44-118-921-5869

## Training

If additional training interests you, then Microchip can help. We continue to expand our technical training options, offering a growing list of courses and in-depth curriculum locally, as well as significant online resources – whenever you want to use them.

- Regional Training Centers: [www.microchip.com/rtc](http://www.microchip.com/rtc)
- MASTERS Conferences: [www.microchip.com/masters](http://www.microchip.com/masters)
- Worldwide Seminars: [www.microchip.com/seminars](http://www.microchip.com/seminars)
- eLearning: [www.microchip.com/webseminars](http://www.microchip.com/webseminars)
- Resources from our Distribution and Third Party Partners [www.microchip.com/training](http://www.microchip.com/training)

### ASIA/PACIFIC

#### Australia - Sydney

Tel: 61-2-9868-6733

#### China - Beijing

Tel: 86-10-8528-2100

#### China - Chengdu

Tel: 86-28-8665-5511

#### China - Hong Kong SAR

Tel: 852-2401-1200

#### China - Nanjing

Tel: 86-25-8473-2460

#### China - Qingdao

Tel: 86-532-8502-7355

#### China - Shanghai

Tel: 86-21-5407-5533

#### China - Shenyang

Tel: 86-24-2334-2829

#### China - Shenzhen

Tel: 86-755-8203-2660

#### China - Wuhan

Tel: 86-27-5980-5300

#### China - Xiamen

Tel: 86-592-2388138

#### China - Xian

Tel: 86-29-8833-7252

#### China - Zhuhai

Tel: 86-756-3210040

### ASIA/PACIFIC

#### India - Bangalore

Tel: 91-80-3090-4444

#### India - New Delhi

Tel: 91-11-4160-8631

#### India - Pune

Tel: 91-20-2566-1512

#### Japan - Yokohama

Tel: 81-45-471- 6166

#### Korea - Daegu

Tel: 82-53-744-4301

#### Korea - Seoul

Tel: 82-2-554-7200

#### Malaysia - Kuala Lumpur

Tel: 60-3-6201-9857

#### Malaysia - Penang

Tel: 60-4-227-8870

#### Philippines - Manila

Tel: 63-2-634-9065

#### Singapore

Tel: 65-6334-8870

#### Taiwan - Hsin Chu

Tel: 886-3-572-9526

#### Taiwan - Kaohsiung

Tel: 886-7-536-4818

#### Taiwan - Taipei

Tel: 886-2-2500-6610

#### Thailand - Bangkok

Tel: 66-2-694-1351

1/26/09

Microcontrollers • Digital Signal Controllers • Analog • Serial EEPROMs

Information subject to change. The Microchip name and logo, the Microchip logo, MPLAB and PIC are registered trademarks of Microchip Technology Incorporated in the U.S.A. and other countries. Total Endurance and UNI/O are trademarks of Microchip Technology Incorporated in the U.S.A. and other countries. All other trademarks mentioned herein are property of their respective companies. © 2009, Microchip Technology Incorporated. All Rights Reserved. Printed in the U.S.A. 2/09 DS22085B



**MICROCHIP**  
[www.microchip.com](http://www.microchip.com)

Microchip Technology Inc.  
2355 W. Chandler Blvd.  
Chandler, AZ 85224-6199