

Introducing the FT-X Series of USB2.0 Full Speed Peripheral Solutions

USB MADE EASY



Introducing the FT-X Chip Series



- 13 chip/package options to optimize your design when you need to quickly and easily add a USB port into your system.
- FTDI provides a wide selection of OS support:
 - Windows, Android, Mac OS, and Linux.
- Offering a wide selection of IO bridges including: Basic UART, Full Handshake UART, FIFO, I²C, SPI, and FTDI's FT1248 interface.
 - I²C to USB bridge in 10 pin DFN package.
- Low power, small device footprints, and abundant features minimizes PCB real estate and lowers overall system costs.

FT-X Series has IT all !!



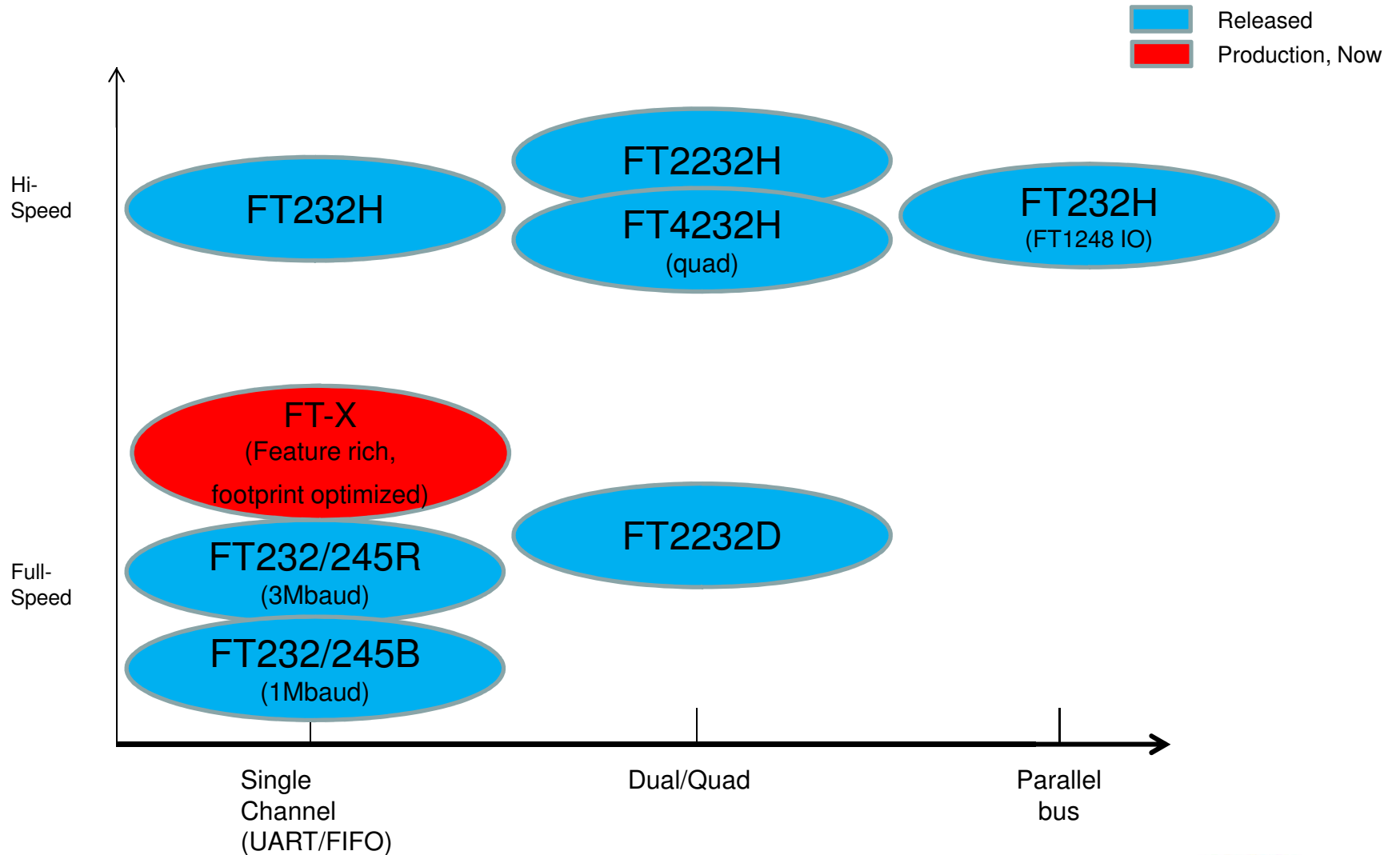
FTDI USB Peripheral Series Strategy

- Extension of FTDI's product mission:
 - Future Technology Devices International (FTDI) specialises in the design and supply of silicon and software solutions for the Universal Serial Bus (USB). FTDI offers a **simple** route to USB migration / integration by combining **easy** to implement IC devices with **proven ready-to-use, royalty-free** USB firmware and driver software.
- FTDI offers the **widest selection** of USB chips for USB peripherals.
 - Familiar FT232R and FT245R for ease-of-use and fast time-to-market.
 - USB2 Hi-Speed solutions, with single and multi-channel options FT232H / FT2232H / FT4232H.
 - FT-X Series offering is the **PREMIERE** cost / benefit profile for USB2.0 Full Speed solutions in the market.

**Whatever your USB design need,
FTDI can meet it !!!**



USB Peripheral / Device Solutions

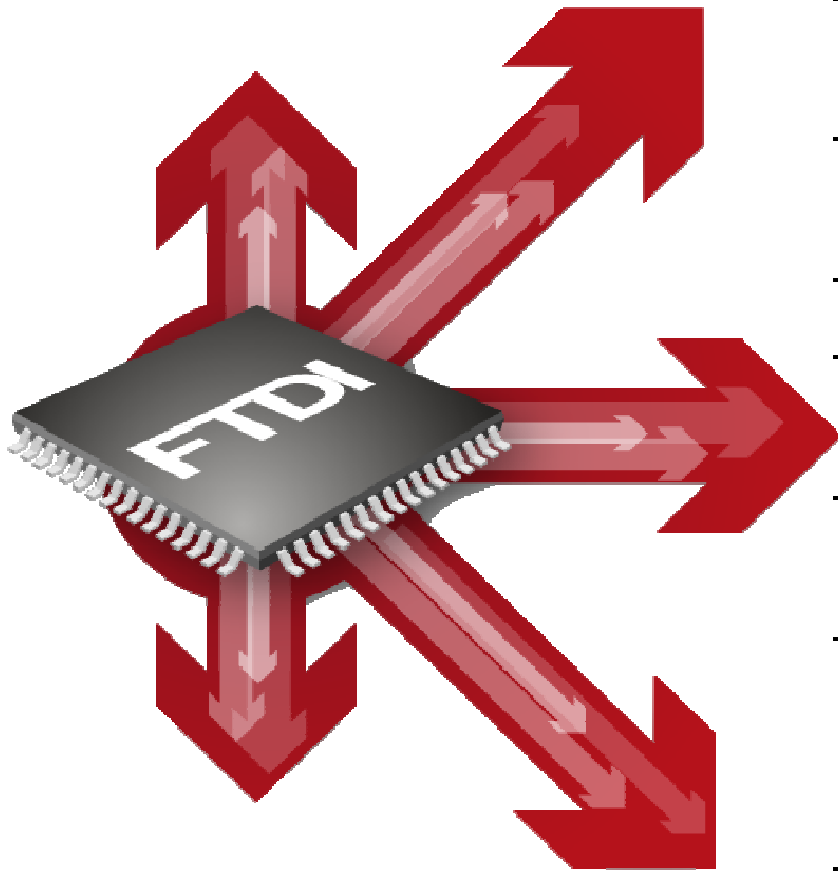


FT-X Series – Meet the Family

Part Number	Pins	Package	Description
FT231XS	20	SSOP	Full Handshake UART Interface
FT231XQ	20	QFN	Full Handshake UART Interface
FT230XS	16	SSOP	Basic UART Interface
FT230XQ	16	QFN	Basic UART Interface
FT221XS	20	SSOP	8bit SPI/FT1248 Interface
FT221XQ	20	QFN	8bit SPI/FT1248 Interface
FT220XS	16	SSOP	4bit SPI/FT1248 Interface
FT220XQ	16	QFN	4bit SPI/FT1248 Interface
FT201XS	16	SSOP	I ² C Interface
FT201XQ	16	QFN	I ² C Interface
FT200XD	10	DFN	I ² C Interface
FT240XS	24	SSOP	8bit FIFO Interface
FT240XQ	24	QFN	8bit FIFO Interface

FT-X Series Features

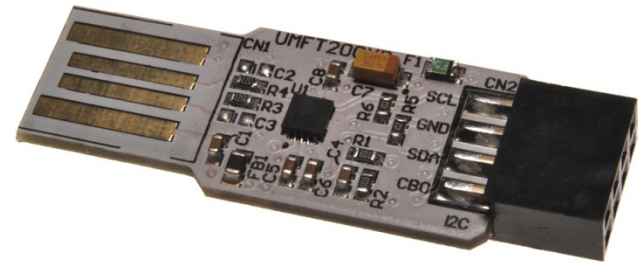
- X-Chip Factor provides the extra elements/features that add value:



- Battery charger detection to enable higher current, faster charging.
- Extensive clocking features; internal clock generation and external clock out.
- Internal 3V3 level converter.
- Integrated crystal and MTP memory to save board space and maximize flexibility.
- Extended temperature range support, -40° to +85°C.
- Low power consumption:
 - 8mA active (typical)
 - 125uA suspend (typical)
- Input/ output voltage support, 1.8V to 3.3V, with 5V tolerance.

FT-X Series Support, Breakout Modules

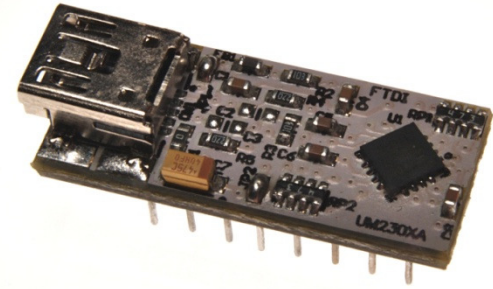
- Breakout modules, such as the USB to I²C, UMFT200XD, provide the simplest method to connect to a USB host, and interface directly into your system via the appropriate IO.
 - 4 PCB traces slot directly into a USB Host (A Port)
 - USB protocol engine and interface bridge integrated into FT-X Series silicon devices
 - Interface connector provided for system integration
 - Choice of module per interface required



Module	Interface
UMFT201XB	I ² C
UMFT200XD	I ² C
UMFT220XB	FT1248
UMFT230XB	UART

FT-X Series Support, Evaluation Modules

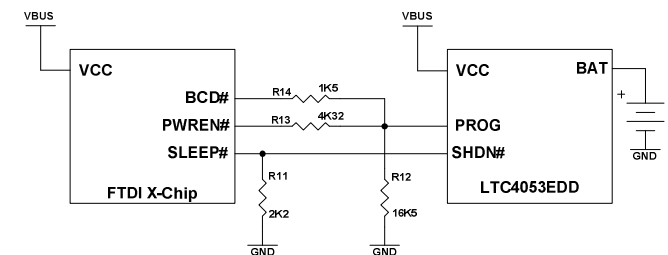
- Evaluation modules are larger than breakout modules, and provide access to all pins.
 - Manufactured in DIP form factor (0.3” wide).
 - Easy to integrate into system boards for thorough prototyping, system emulation, and check-out.
 - USB protocol engine and interface bridge integrated into FT-X Series silicon devices.
 - Choice of module per interface required.



Module	Interface
UMFT201XA	I ² C
UMFT220XA	FT1248 (4 bit)
UMFT221XA	FT1248 (8 bit)
UMFT230XA	Basic UART
UMFT231XA	Full UART
UMFT240XA	FIFO

UMFT231XC - Battery Charging Detection (BCD)

- Development board provides for USB to UART bridge functionality as well as battery charging detection (BCD), and battery charging via LTC4053.
 - FT231X device supports BCD to simplify and optimize battery charging in portable systems.
 - Detects Dedicated Charging Port (DCP) or Standard Downstream Port (SDP,) enabling selection of higher battery charging current, 1.8A or .5A.
 - CBUS pins enable control of charging rate.
 - Complete sleep and suspend capabilities.



FT-X enables optimal battery charging !



FTDI Drivers Architecture

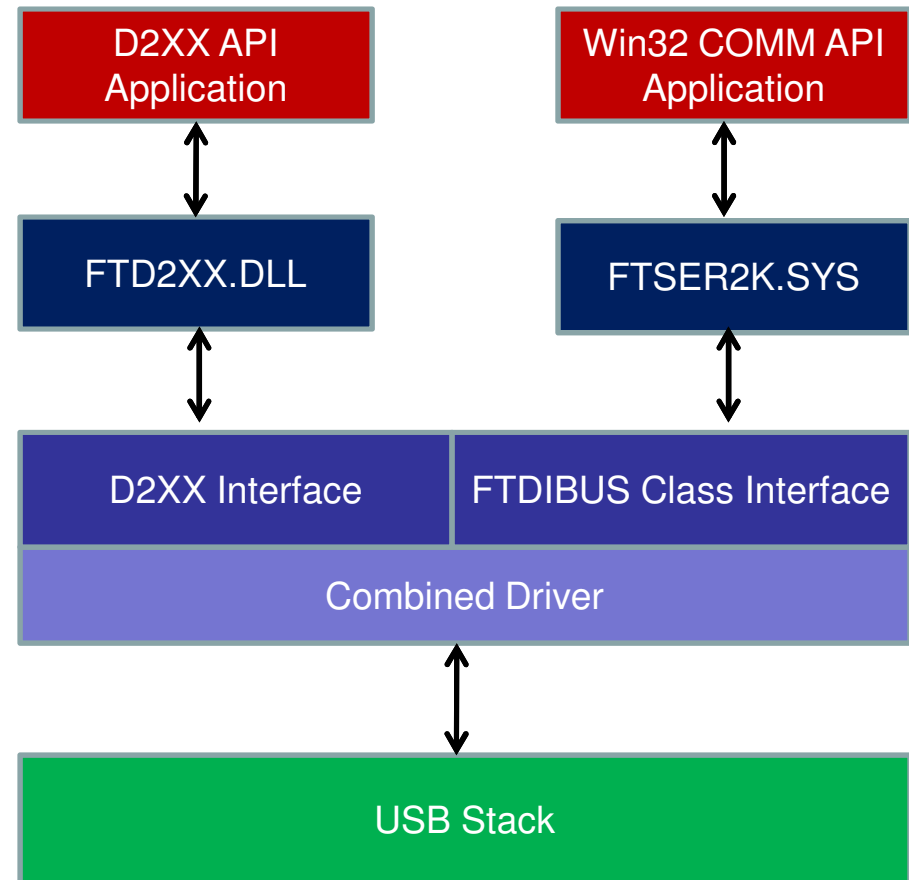
FTDI provides two alternative software interfaces for USB controllers.

COM Port Application

One interface provides a Virtual COM Port (VCP) which appears to the system as a legacy COM port. Legacy applications should work with VCP drivers with minimal modification.

D2XX API

The second interface, D2XX, is provided via a proprietary DLL (FTD2XX.DLL). The D2XX interface provides special functions to optimize performance and improve flexibility.

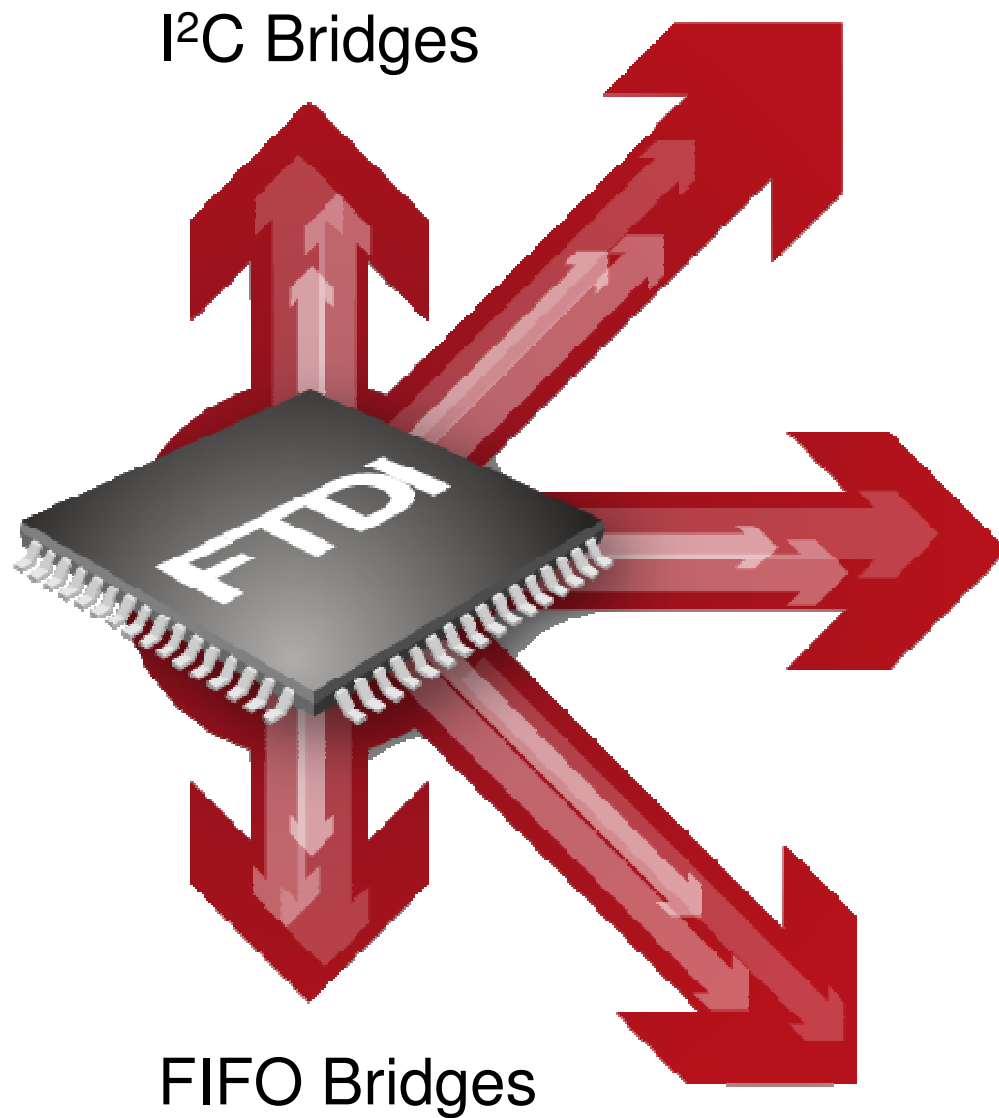




Experience the X Chip Factor !



FT-X Series



World-Class Feature Set:

- Low power
- Battery Charger Detection
- Internal Regulator
- Extended clocking
- MTP memory
- Extended Temperature support

UART Bridges

Flexible FT1248
Interface



FT-X Series – Meet the Family

	FT-X Series						
Device	FT200XD	FT201X	FT220X	FT221X	FT230X	FT231X	FT240X
Description	I ² C slave to USB 2.0 Full Speed	I ² C slave to USB 2.0 Full Speed	SPI/FT1248 (4-bits) to USB 2.0 Full Speed	SPI/FT1248 (8-bits) to USB2.0 Full Speed	Basic UART to USB 2.0 Full Speed	Full UART to USB 2.0 Full Speed	FIFO to USB 2.0 Full Speed
Performance	3.4 Mbits/sec	3.4 Mbits/sec	.5 MByte/sec	1 MByte/sec	3 Mbaud	3 MBaud	1 Mbyte/sec
CBUS Pins *	1	6	1	1	4	4	2
Clock Oscillator	Internal	Internal	Internal	Internal	Internal	Internal	Internal
EE/MTP Memory	Internal	Internal	Internal	Internal	Internal	Internal	Internal
Packages	10-pin DFN	16-pin SSOP/ 16-pin QFN	16-pin SSOP/ 16-pin QFN	20-pin SSOP/ 20-pin QFN	16-pin SSOP/ 16-pin QFN	20-pin SSOP/ 20-pin QFN	24-pin SSOP/ 24-pin QFN

* Configurable as GPIO, LED drivers, or clock signals

- All devices, -40 to 85 °C
- All devices IO, 1.8V to 3.3V (5V tolerant)
- All devices, 8 mA (active-typical), 125 uA (suspend-typical)



FT200XD/FT201X - USB for 'those tight spots'

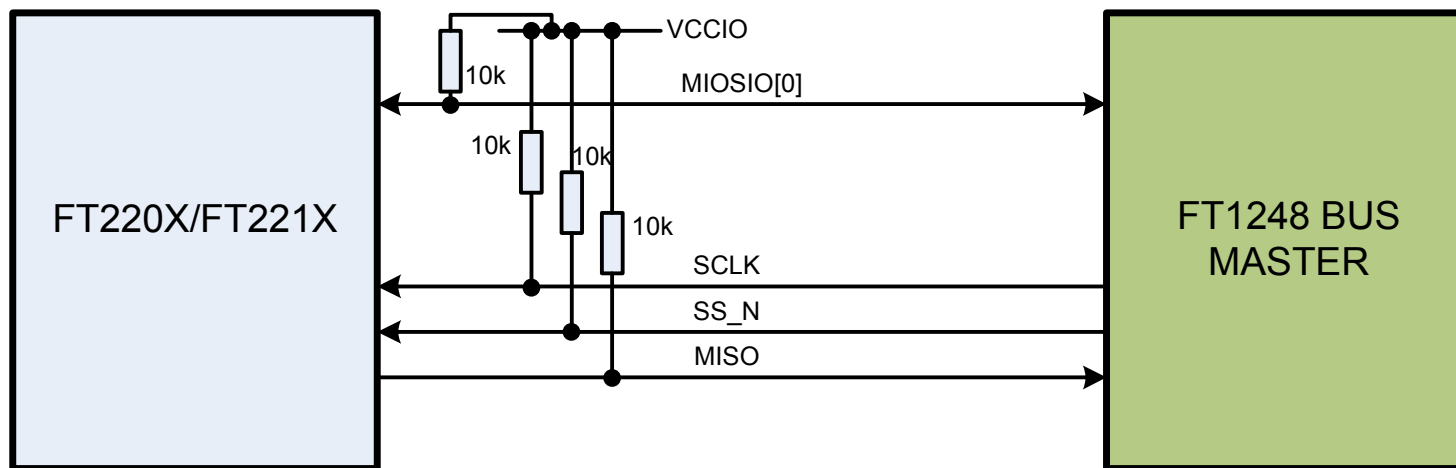
With FTDI's I²C solutions, designers can maximize performance while minimising space and power.

- USB to I²C Slave bridge with speeds up to 3.4Mbit/s.
 - FT200XD is 10 pin DFN package – smallest solution.
 - FT201X is 16 pin QFN/SSOP packages – more GPIO lines.
- Low power – typically 8mA active / 125uA suspend.
- Configurable CBUS pins for BCD, driving LED, clock-out, or GPIO.
- USB Battery Charger Detection function.
- Internal 2KB, MTP can be reprogrammed via both USB and I²C I/F.
- FTDI Chip-ID security feature.
- VCC, 5V (single-supply) or 3.3V.
 - Internal regulator for 3.3V supplies.
 - Supports Bus-Powered (5V) or Self-Powered (3.3V).



FT220X / FT221X USB to FT1248 Interface

- FT1248 interface is a synchronous serial / parallel interface.
 - Provides for flexibility depending upon IO constraints.
 - Allows for pin usage / bus performance trade-offs.
- Flexible interface may be 1, 2, 4, or 8 bits wide.
 - 1, 2, or 4 bit interface for FT220X in 16 pin packages.
 - Extended 8 bit wide for FT221X in 20 pin packages.
- FT220/221X contains the complete FT-X Series feature set.



FT220X / FT221X Advantages

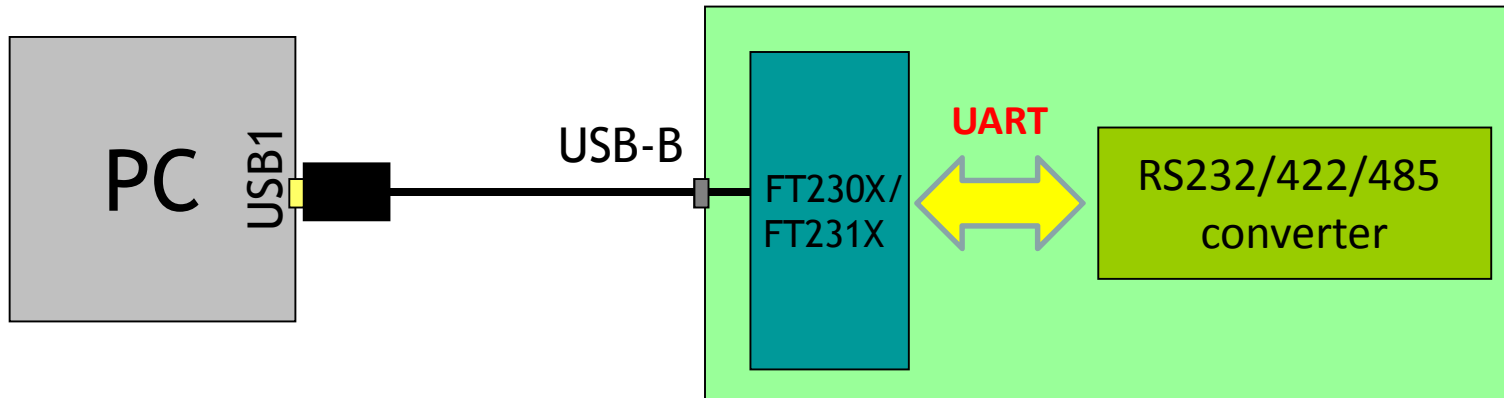
- Optimal pin / performance choices when IO considerations appear.
 - FT220X – 16 pin SSOP/QFN options 1, 2, or 4 bit wide interface.
 - FT221X – 20 pin SSOP/QFN options – 1, 2, 4, or 8 bit wide interface.
- Functions similar to SPI slave.
- Low power option – typically 8mA active / 125uA suspend.
- Configurable CBUS pins for BCD, driving LED, clock-out, or GPIO.
- USB Battery Charger Detection function.
- Internal 2KB, MTP could be reprogrammed via USB or FT1248.
- FTDI Chip-ID security feature.
- 1.8V to 3.3V IO (5V Tolerant).
- VCC, 5V (single-supply) or 3.3V.
 - Internal regulator for 3.3V supplies.
 - Supports Bus-Powered (5V) or Self-Powered (3.3V).



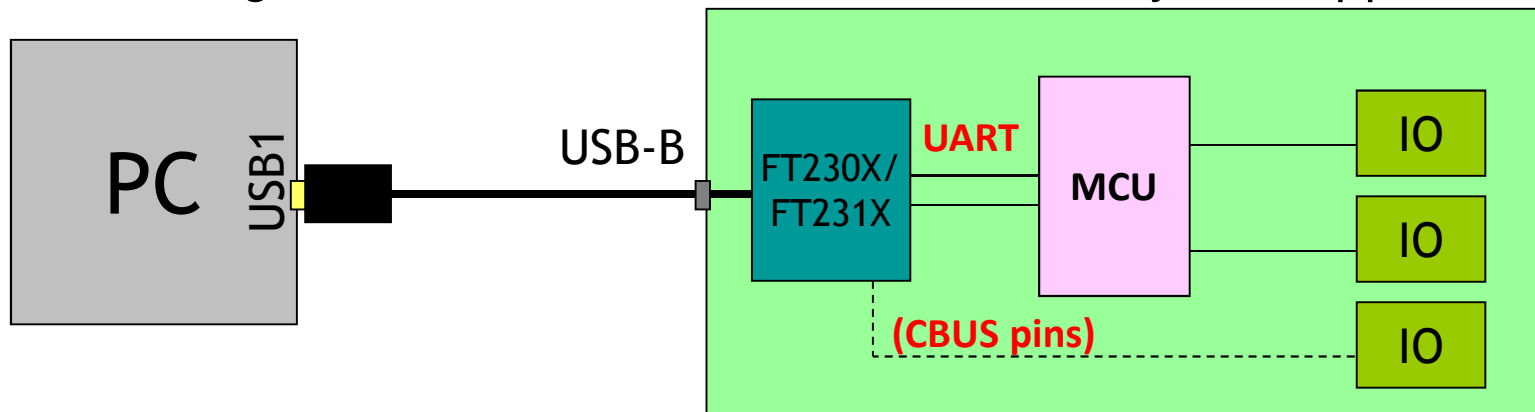
FT230X/FT231X USB to UART Converters

Experience FTDI's World-Class, leadership UART solutions !

- USB to RS232/422/485 Cable or Adaptors



- Integrate UART interface into embedded system application



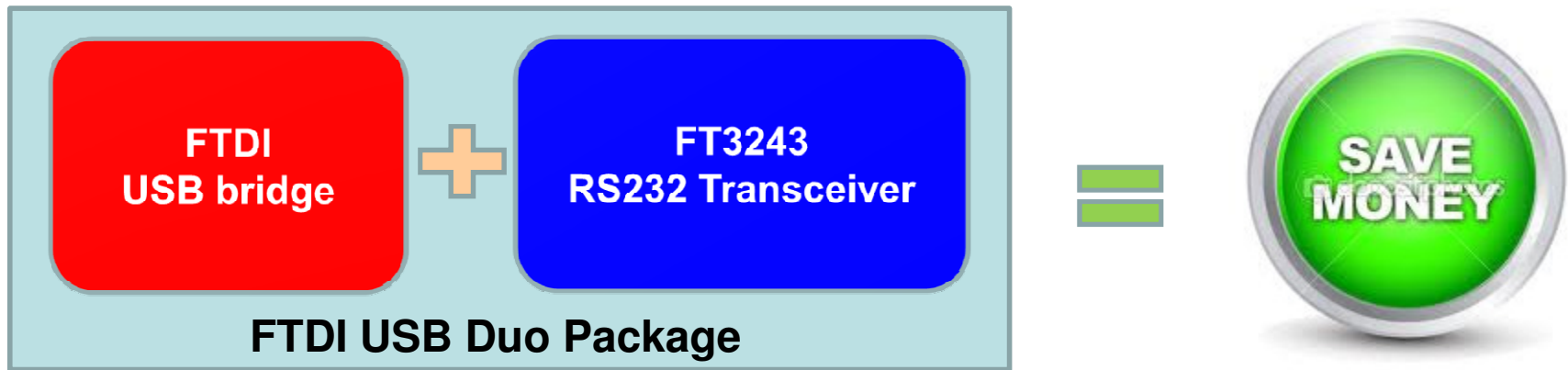
FT230X / FT231X Advantages

- Match your UART configuration to minimize PCB area / system cost.
 - FT230X – 16 pin SSOP/QFN options – RXD/TXD/RTS/CTS only.
 - FT231X – 20 pin SSOP/QFN options – full modem control.
- Up to 3M Baud data rates.
- Low power option – typically 8mA active / 125uA suspend.
- Configurable CBUS pins for BCD, driving LED, clock-out, or GPIO.
- USB Battery Charger Detection function.
- Internal 2KB, MTP could be reprogrammed via USB.
- FTDI Chip-ID security feature.
- 1.8V to 3.3V IO (5V Tolerant).
- VCC, 5V (single-supply) or 3.3V.
 - Internal regulator for 3.3V supplies.
 - Supports Bus-Powered (5V) or Self-Powered (3.3V).



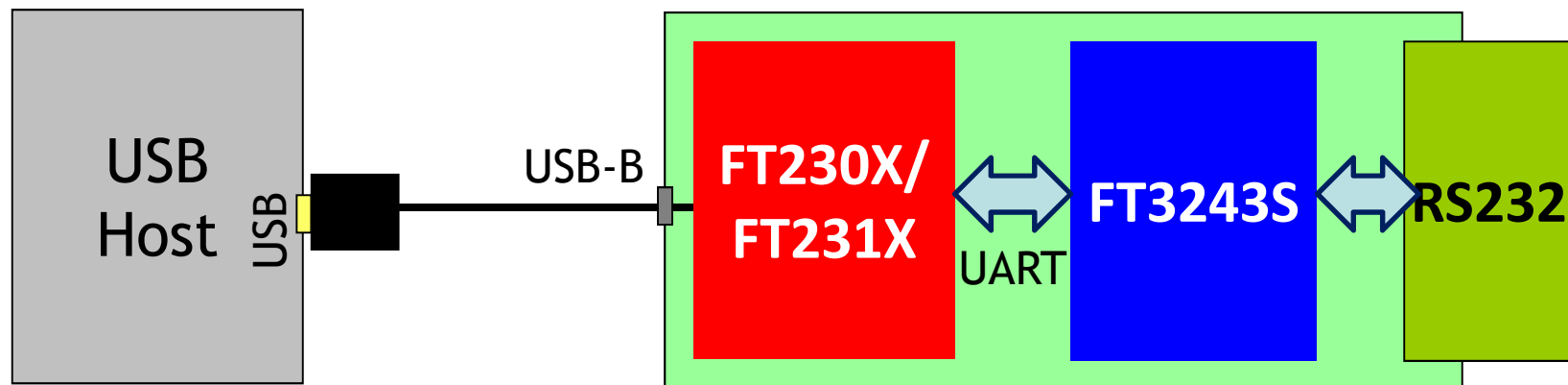
USB-Duo maximizes your system

- FTDI USB Duo package provides complete function for a single price.
- FTDI's X chip factor provides optimal USB functionality with an extended feature set.



FTDI USB-Duo

- FTDI provides a USB to RS232 total solution
 - Bundling a USB bridge controller and RS232 Transceiver IC
- The solution maximizes functionality and optimizes system price
- Integrated crystal and MTP to reduce BOM cost and PCB size
- FTDI provides Royal Free Driver Supported for both Virtual COM Port (VCP) and D2XX options.



Best Benefit for **Price**,
Functions and **PCB size**

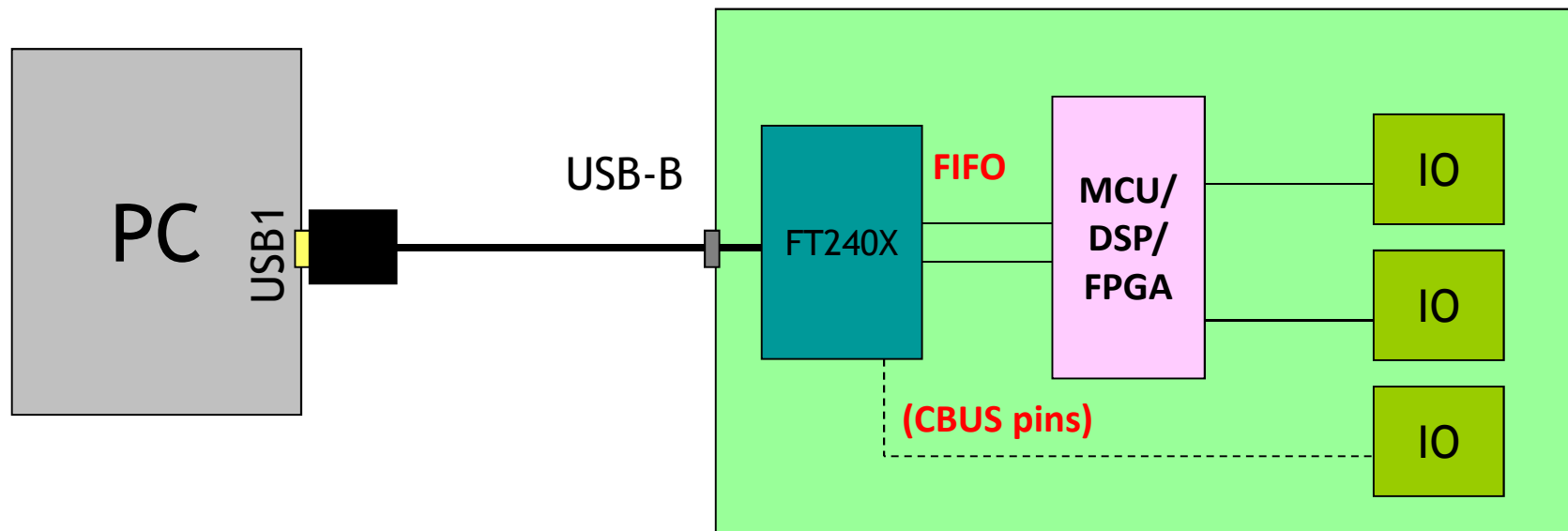
FT3243S Low power 3.3V RS232 Transceiver

- Meets or Exceeds the EIA/TIA-232F and CCITT V.28/V.24 specification for VCC at +3.3V $\pm 10\%$ and +5V $\pm 10\%$ Operations
- Interoperable with EIA/TIA-232 and adheres to EIA/TIA-562 down to a +2.7V power source
- Low quiescent current – 0.5mA typ., 1mA max. Low shutdown current (where applicable) - 1 μ A; typical, 10 μ A max.
- Guaranteed data rate 250kbps
- Proprietary Switch-Capacitor Regulated Voltage Converters (patent pending)
- 28 Pins SSOP package
- Extended -40°C to 85°C; industrial operating temperature range.
- Latch-up Free and 15KV ESD Protection for RS-232 I/O's
- Drop-in Replacements for MAX3243E, ICL3243E, ISL4243E, ZT2343E, ST3243E and SP3243E

FT240X USB to FIFO Converter

The FT240X is a USB to parallel FIFO interface which can be integrated into embedded system application easily.

The Data transfer rates can up to 1Mbyte / second

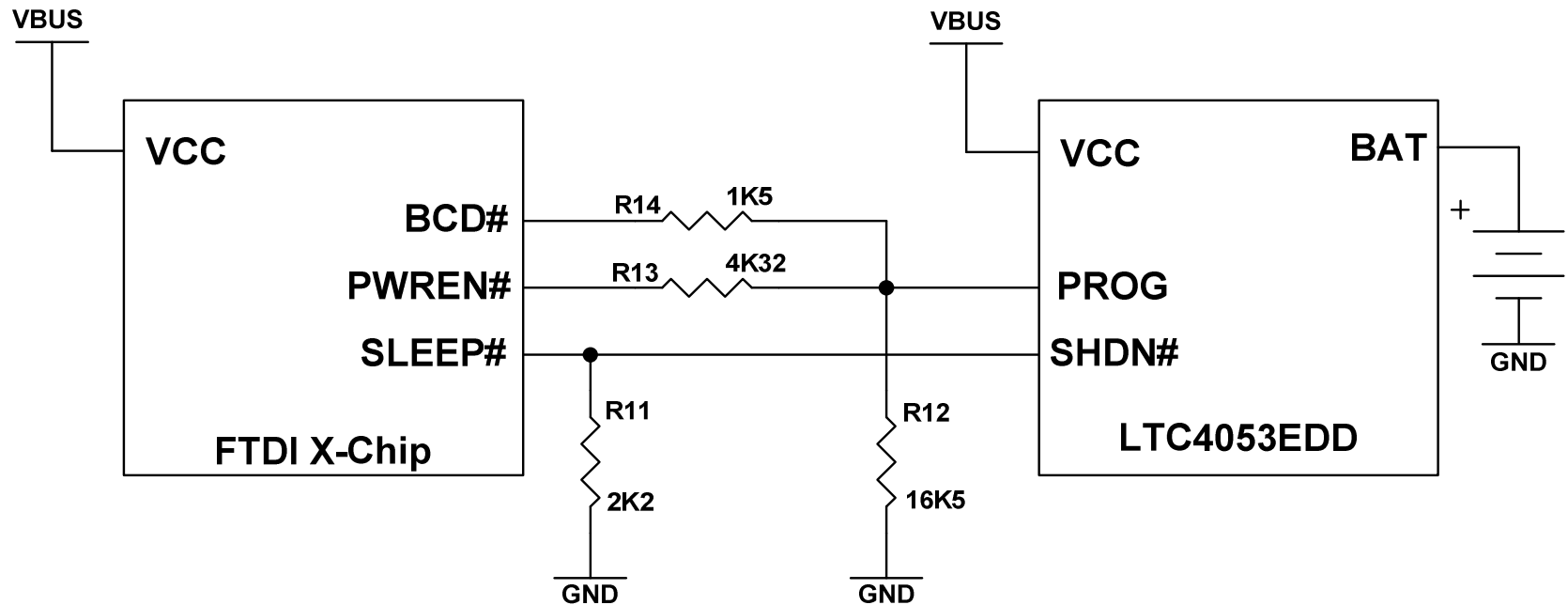


FT240X Advantages

- Reduced pin count for space critical designs.
 - FT240X – 24 pin SSOP/QFN options – 8-bit wide FIFO.
- 1MByte/s data rates.
- Low power option – typically 8mA active / 125uA suspend.
- Configurable CBUS pins for BCD, driving LED, clock-out, or GPIO.
- USB Battery Charger Detection function.
- FTDI Chip-ID security feature.
- 1.8V to 3.3V IO (5V Tolerant).
- Internal 2KB, MTP could be reprogrammed via USB.
- VCC, 5V (single-supply) or 3.3V.
 - Internal regulator for 3.3V supplies.
 - Supports Bus-Powered (5V) or Self-Powered (3.3V).



FT-X Series Enables Optimal Battery Charging



- Detects DCP (Dedicated Charging Port) or SDP (Standard Downstream Port), enabling selection of higher battery charging current, 1.8A or .5A.
- CBUS pins enable control of charging rate
- Complete sleep and suspend capabilities

FTEX Development Modules

- Rapid prototyping
- Limited development
- Maximum Flexibility

Breakout Module (USB trace connections plug PCB direct into host port)	Evaluation Modules (Mini-B USB connector, with DIP PCB insert)	Battery Charging Evaluation Board
UMFT200XD	UMFT201XA	UMFT231XC
UMFT201XB	UMFT220XA	
UMFT220XB	UMFT221XA	
UMFT230XB	UMFT230XA	
	UMFT231XA	
	UMFT240XA	

FTDI Web Resources

Visit www.ftdichip.com



- [Drivers](#) : Newest VCP and D2XX driver
- [Data Sheets](#) : FTDI Data Sheets for production released chips are available
- [Application Notes](#) : Application notes for basic and advanced development
- [Technical Notes](#) : Providing application background and system design considerations
- [Software Utilities](#) : Beneficial programs for design creation and manufacturing support
- [Software Examples](#) : Sample example code to assist in the development
- [FAQs](#) : Useful Frequently Asked Questions

FTDI Contact

Future Technology Devices International Limited - <http://www.ftdichip.com>

FTDI are ISO9001:2008 certified.

EMEA

sales1@ftdichip.com

support1@ftdichip.com

+44 (0) 141 429 2777

China

cn.sales@ftdichip.com

cn.support@ftdichip.com

+86 (21) 62351596

Americas

us.sales@ftdichip.com

us.support@ftdichip.com

+1 (503) 547-0988

APAC

tw.sales1@ftdichip.com

tw.support1@ftdichip.com

+886-2-8797 1330

Headquarters

Unit 1, 2 Seaward Place,
Centurion Business Park,
Glasgow
G41 1HH
United Kingdom

China Office

Room 408, 317 Xianxia Road,
ChangNing District,
Shanghai, P.R. China

Americas Office

7235 NW Evergreen
Parkway
Suite 600
Hillsboro, OR 97124-5803
USA

Taiwan Office

2F, No. 516, Sec. 1, NeiHu
Road, Taipei 114, Taiwan

