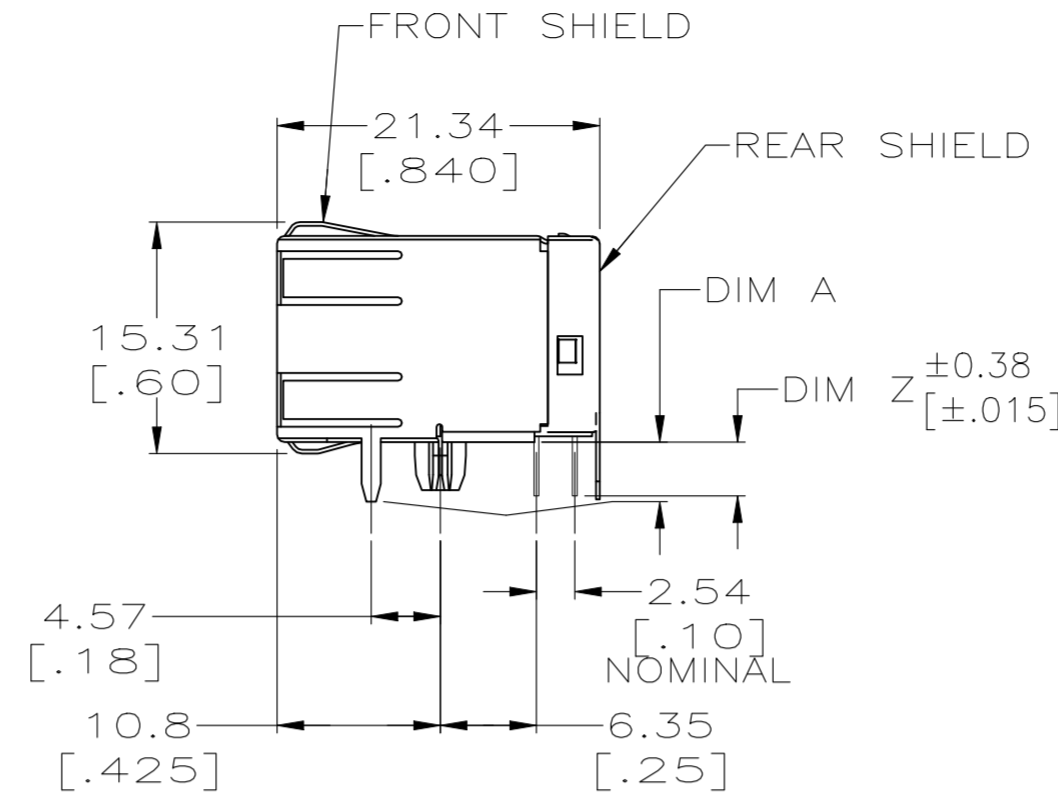
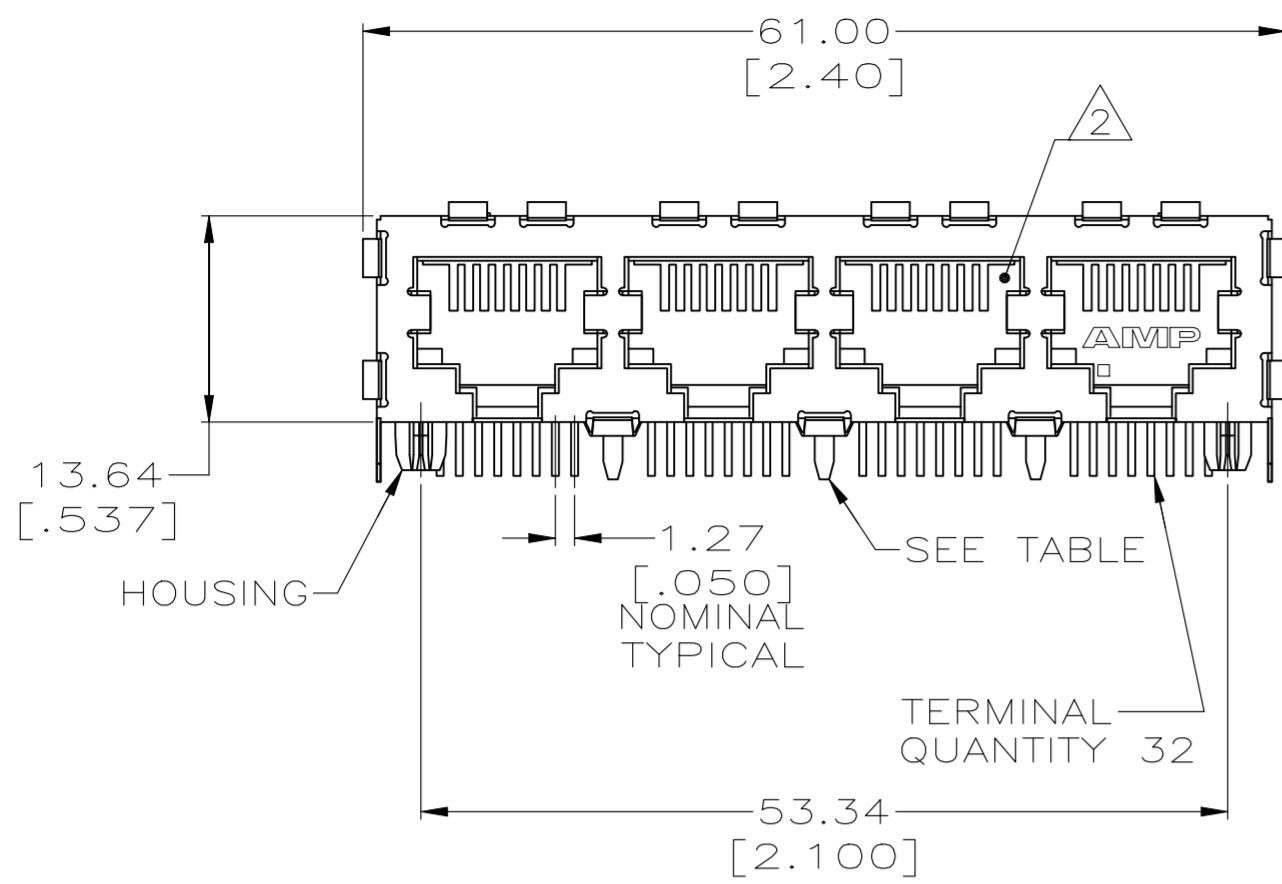
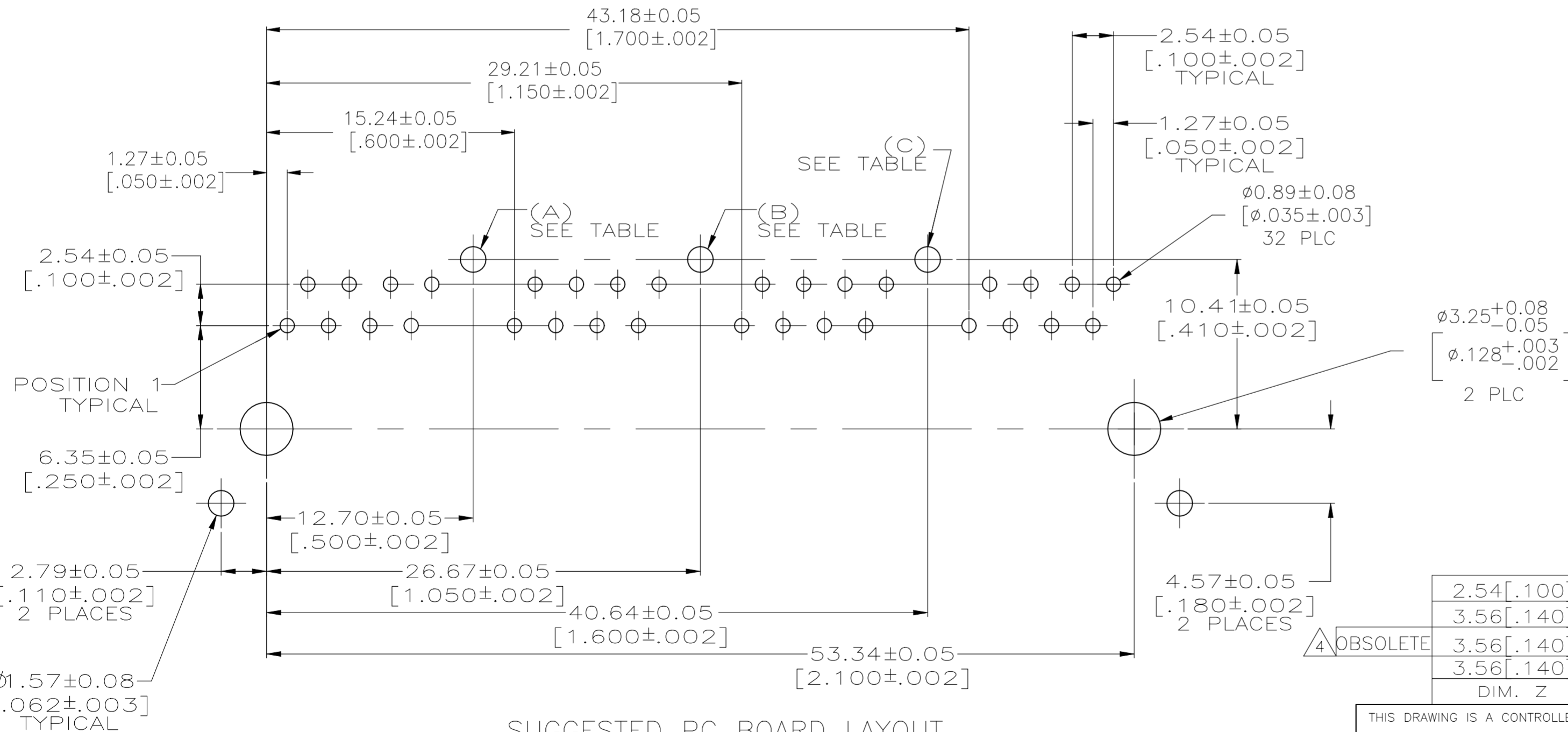


REVISIONS					
P	LTR	DESCRIPTION	DATE	DWN	APVD
D3		ECR-19-014657	13DEC2020	RR	SZ



- MATERIAL: HOUSING - NYLON, COLOR: BLACK, UL 94V-0. OVERMOLDED TERMINAL ARRAY - PBT, BROWN. TERMINALS - 0.33[.013] THICK PHOS BRONZE PLATED WITH 1.27µm[.000050] MINIMUM HARD GOLD IN LOCALIZED AREA AND 3.81µm[.000150] MINIMUM MATTE TIN IN SOLDER AREA OVER 1.27µm[.000050] MINIMUM NICKEL UNDERPLATE. SHIELD - 0.254[.010] THICK COPPER ALLOY PLATED WITH 1.27µm[.000050] MINIMUM NICKEL AND 2.03 µm [.000080] MINIMUM HOT TIN DIP ON PCB GROUND TABS.

- △2 JACK CAVITY CONFORMS TO FCC RULES AND REGULATIONS, PART 68 SUBPART F.
- △3 SAME AS NOTE 1 EXCEPT OVERMOLDED TERMINAL ARRAY - HTN, NATURAL.
- △4 OBSOLETE PARTS: OBSOLETE CIS STREAMLINING PER D.RENAUD/D.SINISI



SUGGESTED PC BOARD LAYOUT
COMPONENT SIDE (TOP)
SCALE 4:1

2.54 [.100]	3.05 [.120]	NONE	NONE	1-5406203-2 ³
3.56 [.140]	3.94 [.155]	(A) (B) (C)	ALL THREE	5406203-3
3.56 [.140]	3.94 [.155]	(B)	(1) MIDDLE	-5406203-2-
3.56 [.140]	3.94 [.155]	NONE	NONE	5406203-1
DIM. Z	DIM. A	HOLES USED	NO. OF REAR TABS	PART NUMBER

THIS DRAWING IS A CONTROLLED DOCUMENT.

DIMENSIONS: mm	TOLERANCES UNLESS OTHERWISE SPECIFIED:	DWN T. SPRINKLE/L.A.MAYER 01JUNE2005	CHK J.WESTMAN 01JUNE2005	APVD S.FLICKINGER 01JUNE2005	NAME
0 PLC ± -	1 PLC ± -	2 PLC ± 0.25[.01]	3 PLC ± 0.13[.005]	4 PLC ± -	ANGLES ± -
MATERIAL SEE NOTE 1 & 3	FINISH SEE NOTE 1 & 3	PRODUCT SPEC 108-1163-2	APPLICATION SPEC 114-2048	WEIGHT 0.000000	SIZE A2
		CUSTOMER DRAWING	SCALE 2:1	SHEET 1 of 1	REV D3

TE Connectivity
MODULAR JACK, 4 PORT, 8 P, SHIELDED, REVERSE PANEL GROUND TABS, CATEGORY 5e
CAGE CODE 00779
C=5406203