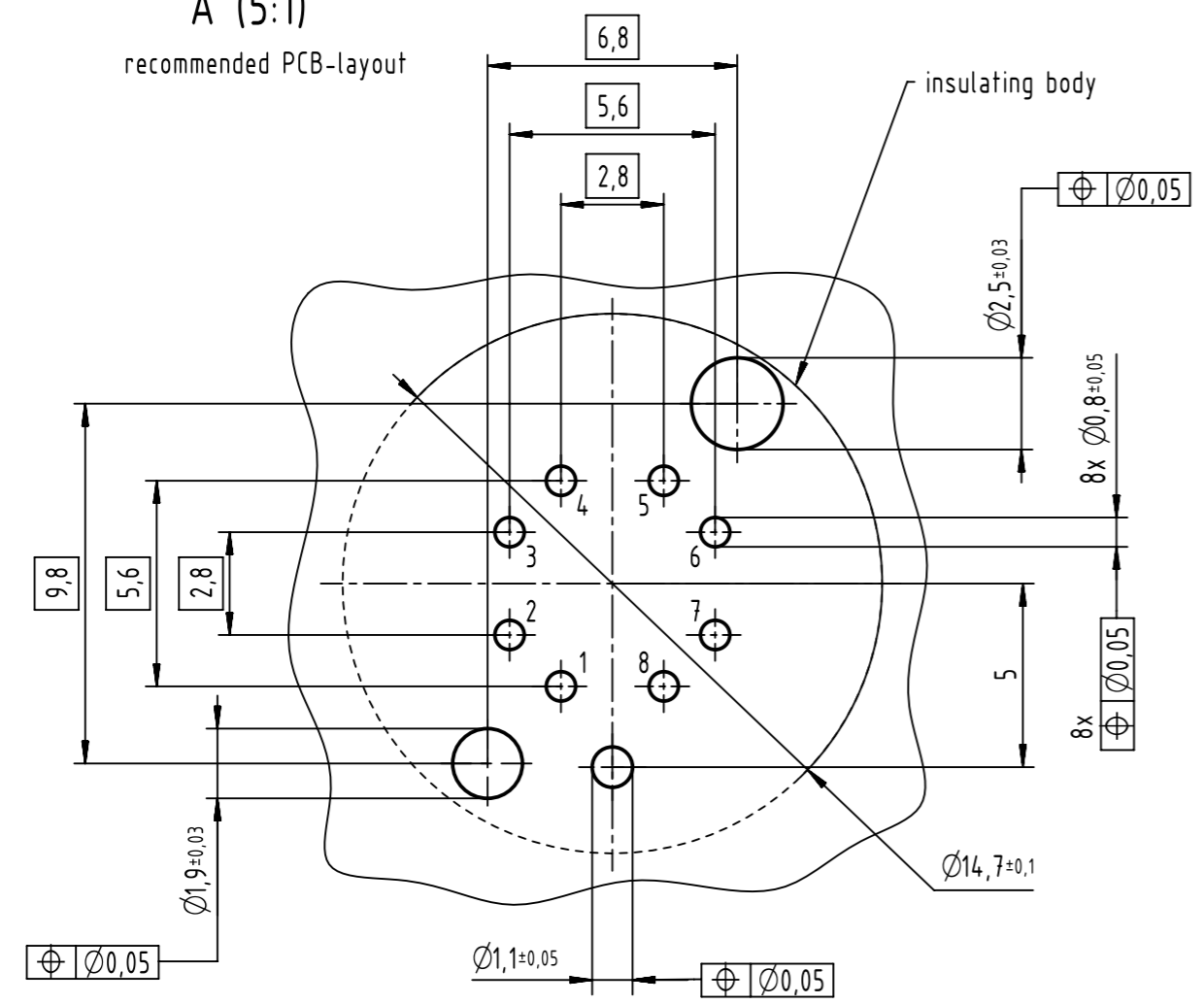
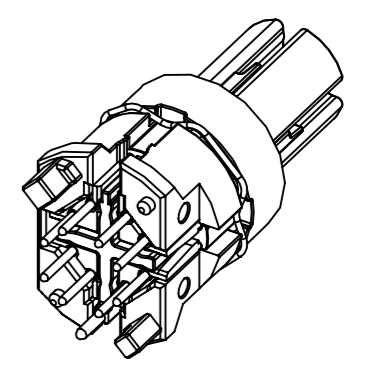


A (5:1)
recommended PCB-layout



- 500 mating cycles acc. to DIN EN 60512-9-1
- design for reflow soldering
- 60 pcs. tray package
- packed with pick&place-cap

pin assignment		
pin	Signal	pair
1	TD1+	2
2	RD1-	2
3	TD2+	3
4	RD2-	3
5	TD4+	4
6	RD4-	4
7	RD3-	1
8	TD3+	1



	All rights reserved		Scale 2:1	Free size tol.	Ref.	
	Department EL PD		Created by HASSEBROCKS	Inspected by 104122	Standardisation 302077	Sub.
HARTING D-32339 Espelkamp		Title har-speed M12 PCB Cat6A receptacle straight			Date 2020-12-10	State Final Release
		Type TB	Number 21033812806		Doc-Key / ECM-Nr. 100227301/UGD/007/G 500000185634	
					Rev. G Page 1/1	