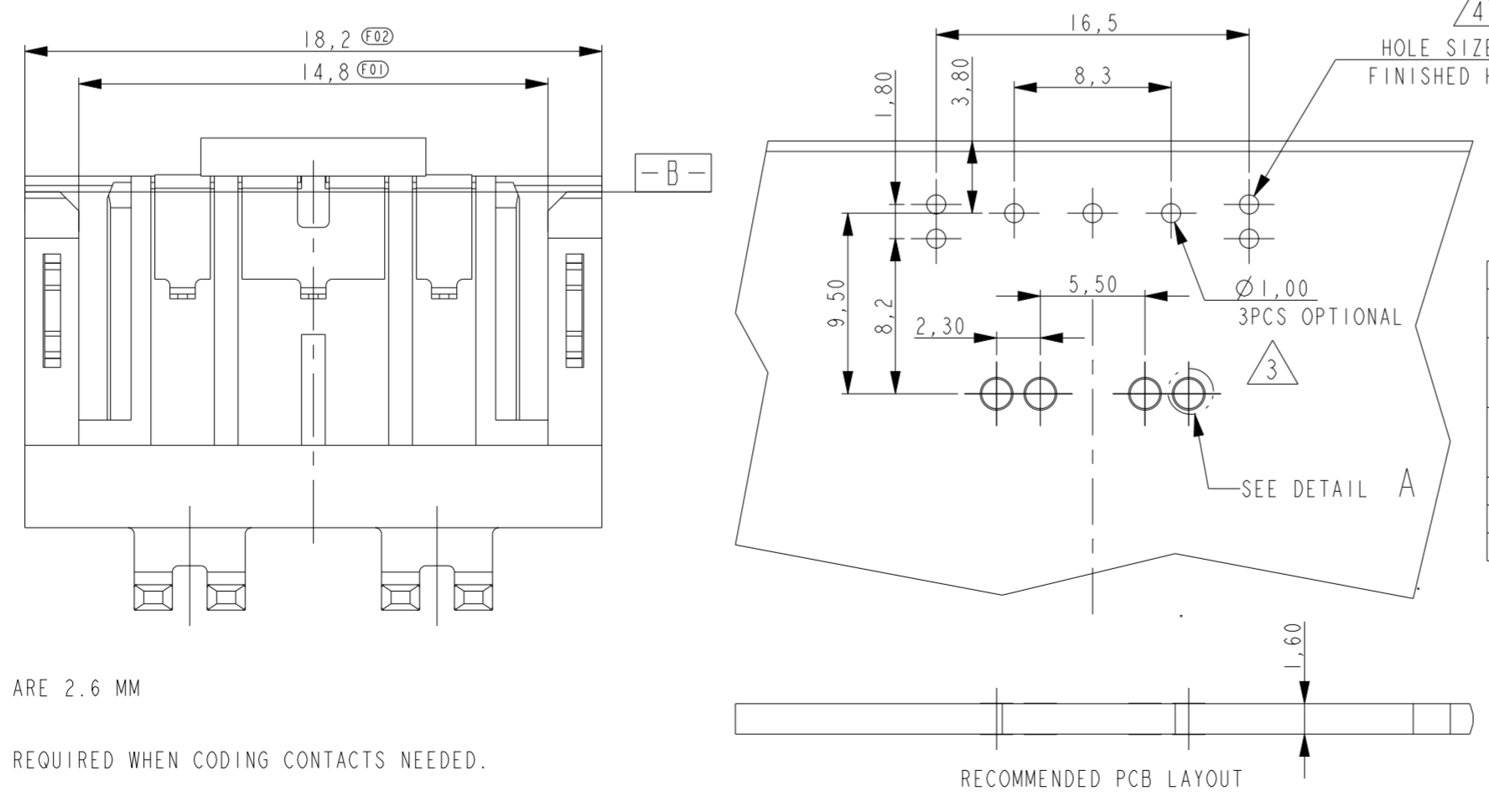
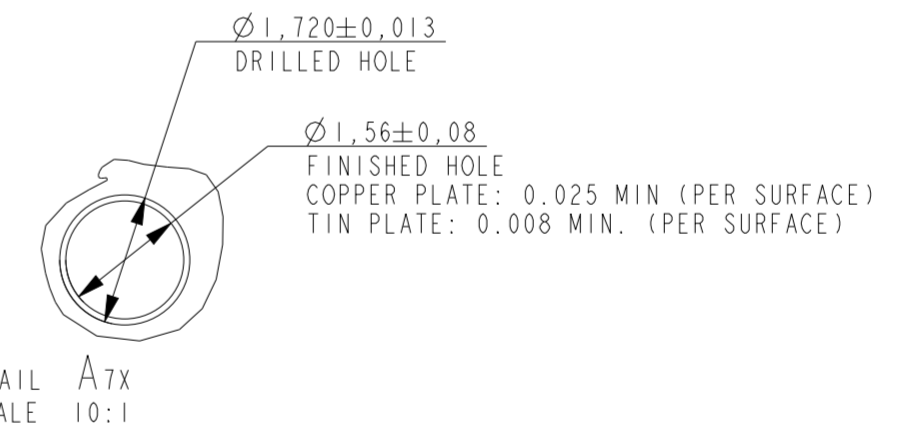
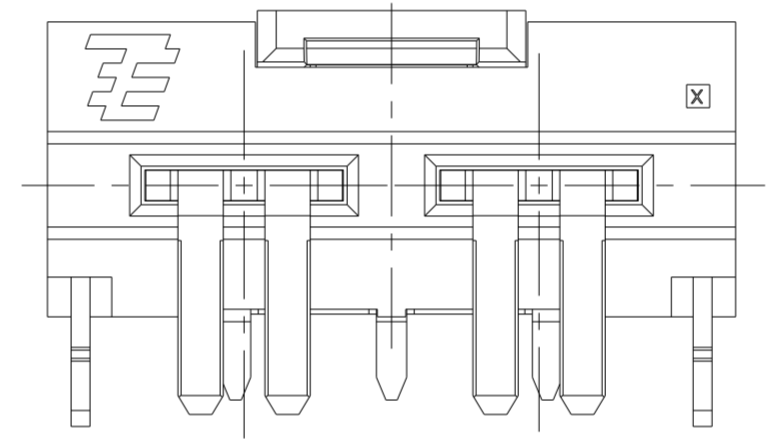
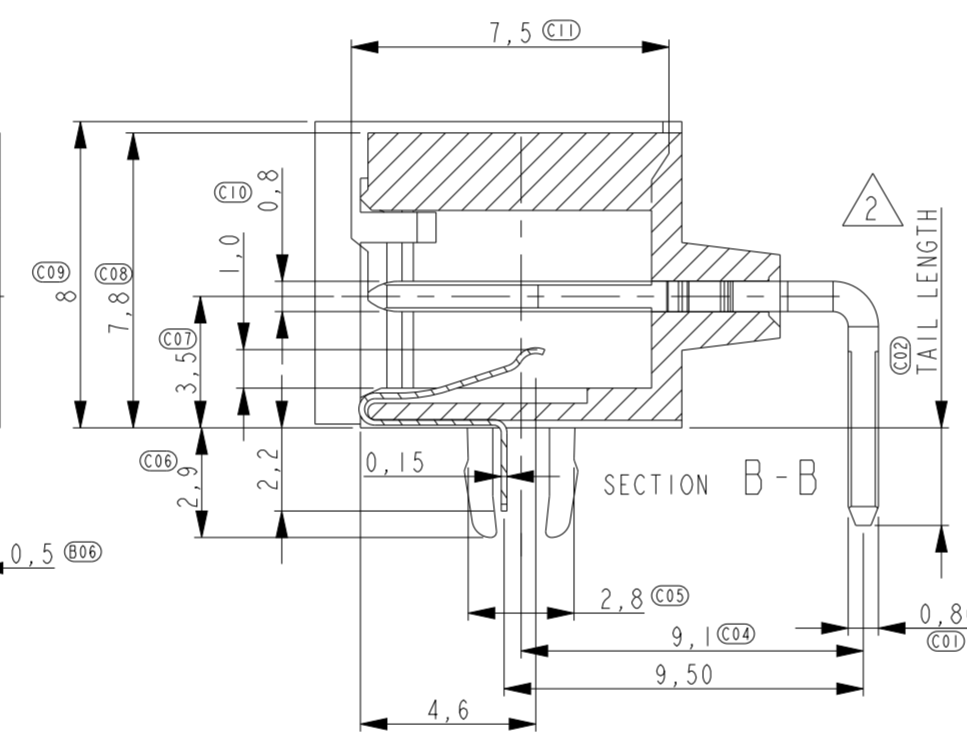
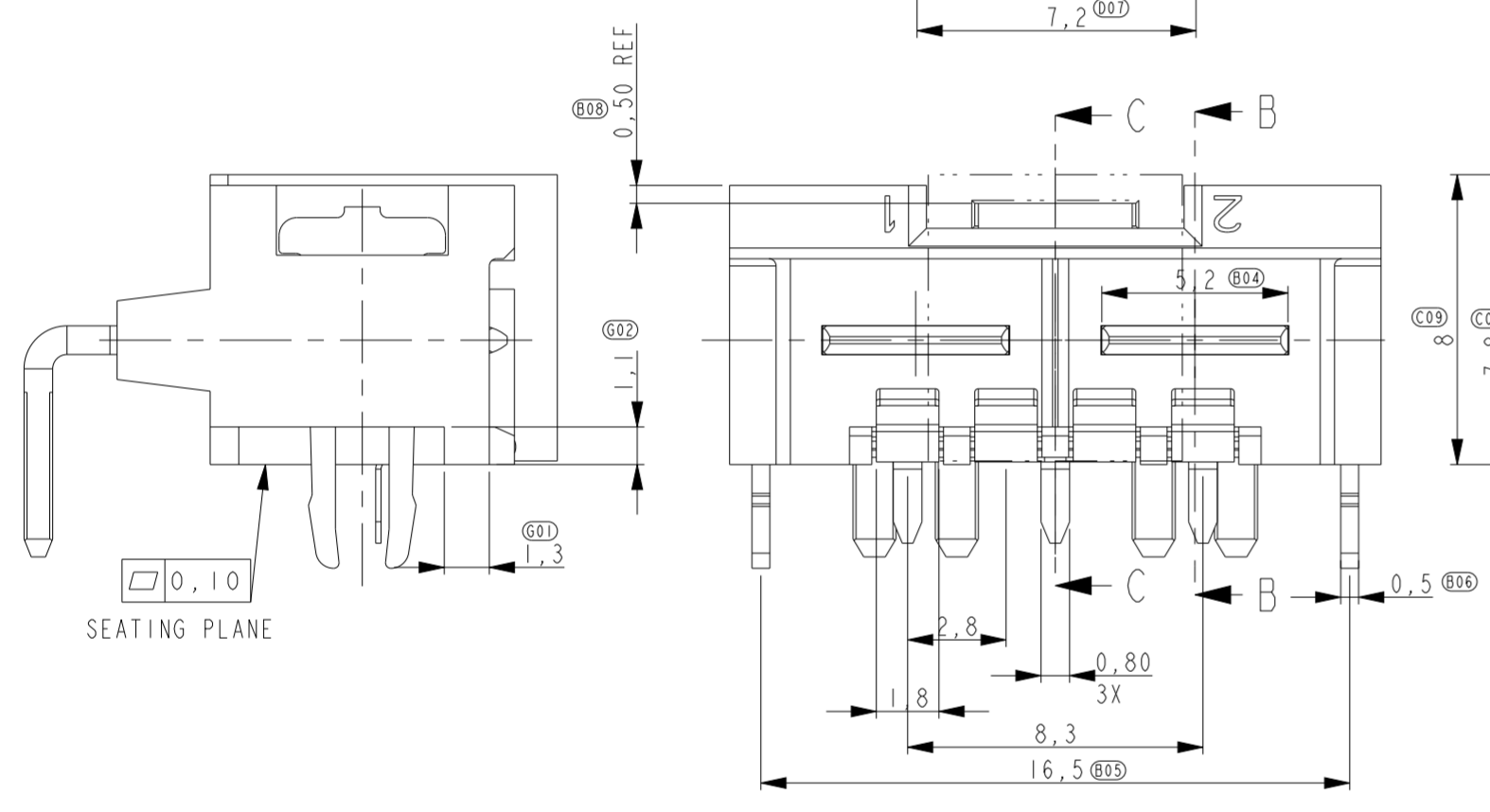
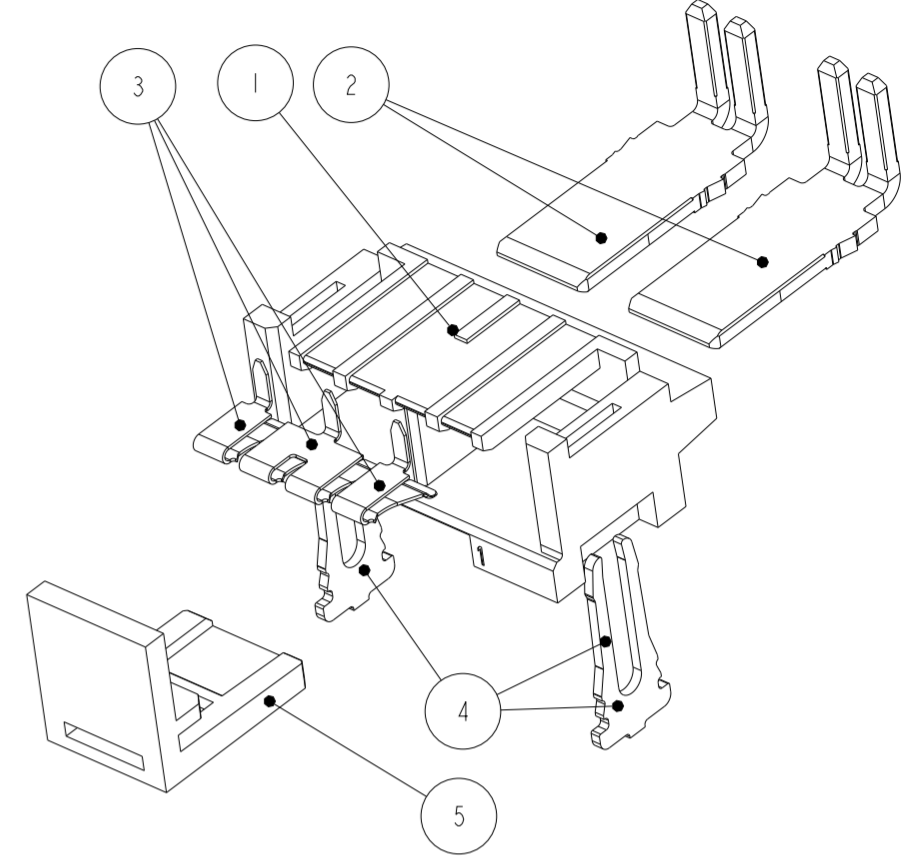
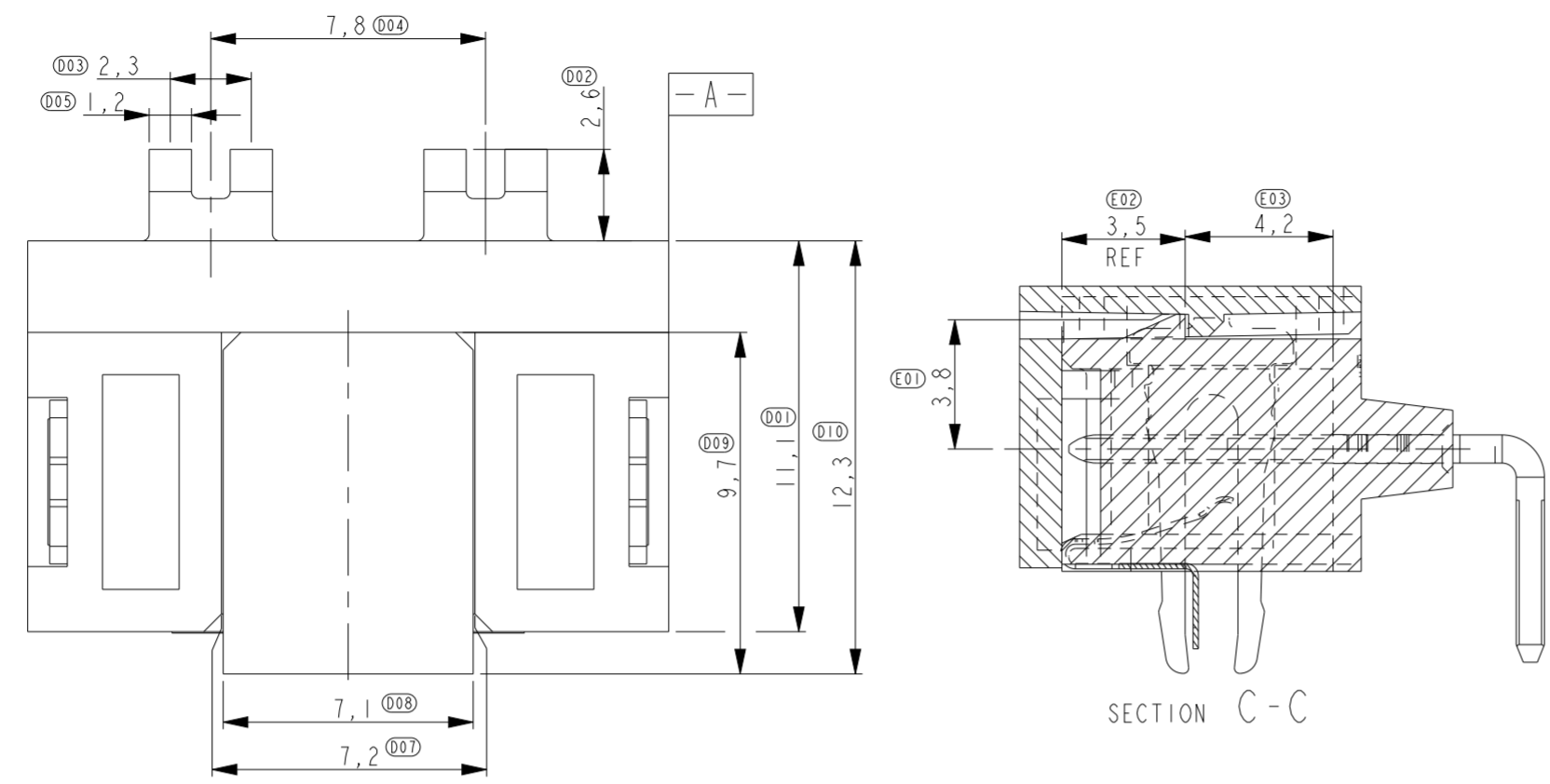


THIS DRAWING IS UNPUBLISHED. RELEASED FOR PUBLICATION
COPYRIGHT - TE CONNECTIVITY ALL RIGHTS RESERVED.

LOC		DIST		REVISIONS			
P	LTR	DESCRIPTION	DATE	DWN	APVD		
C3		ADD NEW PCB RECOMMENDATION	05FEB2020	OL	SZ		
C5		ADD COLOR FOR HOUSING AND PICK AND PLACE	24NOV2020	OL	SH		
C6		ECR-21-105415	04SEP2021	OL	SH		
C7		REV PER ECN-21-125982	11NOV2021	OL	SH		



ITEM NO.	DESCRIPTION	MATERIAL	FINISH	QTY	QTY	QTY	QTY	QTY
5	PICK&PLACE ADAPTOR	POLYAMIDE, NATURAL		1	-	1	1	1
4	HOLD DOWN	DIN1544 CK75		2	2	2	2	2
3	CONTACT DETECTION	COPPER ALLOY	5.0 μm Sn MIN OVER 2.5 μm Ni MIN ALL OVER.	-	4	-	-	4
2	CONTACT POWER TAB	COPPER ALLOY	0.75 μm Au MIN. IN CONTACT PLACE, Au FLASH IN SOLDER AREA OVER 1.27 μm Ni MIN ALL OVER	2	-	2	-	-
2	CONTACT POWER TAB	COPPER ALLOY	1.2 μm Ni MIN. ALL OVER 0.75 μm Au MIN AT MATING ZONE Au FLASH AT SOLDER ZONE	-	2	-	2	2
1	HOUSING	LCP GF UL94V-0, BLACK	3.0 μm Ag MIN ALL OVER.	1	1	1	1	1

- NOTES:
- 1. DURABILITY OF 1982295-4 CAN BE DECLARED ONLY AFTER TESTING.
 - 2 TAIL LENGTH IS 3.6^{+0.10}/_{-0.20} MM FOR -6, OTHERS ARE 2.6 MM
 - 3 OPTIONAL, THEY ARE FINISHED HOLE SIZE AND REQUIRED WHEN CODING CONTACTS NEEDED.
 - 4 HOLE SIZE IS 1.00MM FOR MOST APPLICATIOIN HOLE SIZE IS 1.5MM FOR NO INTERFERENCE WEHN MOUNTING FOR SPECIAL REQUIREMENT.

THIS DRAWING IS A CONTROLLED DOCUMENT.

DWN	R. Annokkee	11-Nov-21
CHK	R. Annokkee	11-Nov-21
APVD	J. Broeksteeg	11-Nov-21

PRODUCT SPEC: 108-19346
APPLICATION SPEC: 114-19110

STE TE Connectivity

NAME: ELCON Mini, 2-position header right-angle

SIZE: A2 CAGE CODE: 00779 DRAWING NO: C-1982295 RESTRICTED TO: -

Customer Drawing SCALE: 5:1 SHEET: 1 OF 3 REV: C7

4

3

2

1

THIS DRAWING IS UNPUBLISHED. RELEASED FOR PUBLICATION
 © COPYRIGHT - TE CONNECTIVITY ALL RIGHTS RESERVED.

LOC	DIST	REVISIONS			
P	LTR	DESCRIPTION	DATE	DWN	APVD
IR	-	SEE SHEET 1	-	-	-

NOTES:
 1. TRAY (PN 3178822-1) PACKAGING IS ONLY FOR PN 1982295-5.

343.0
292.0

SEE DETAIL B

DETAIL B

DO NOT SCALE

DIRECTION OF TOP OF REEL →
 4.0 2.0
 44.0 40.4 1.75
 1.55
 PITCH 24.0

1000 mm COVERTAPE FROM THIS POINT ON CORE
 400 mm COVERTAPE
 7 POCKETS WITHOUT CHARGE 240 CONN/REEL 5 POCKETS WITHOUT CHARGE
 REEL DIA. Ø330
 FRANGE CORE Ø80 REF
 51
 63 ref REEL WIDTH

NOTES:

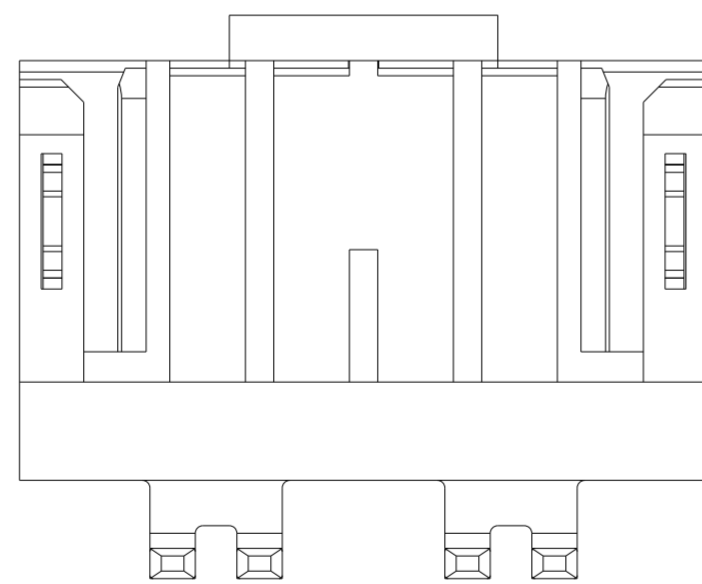
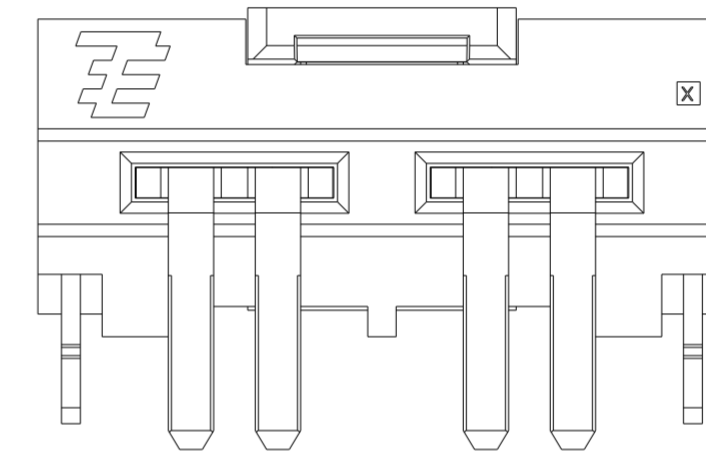
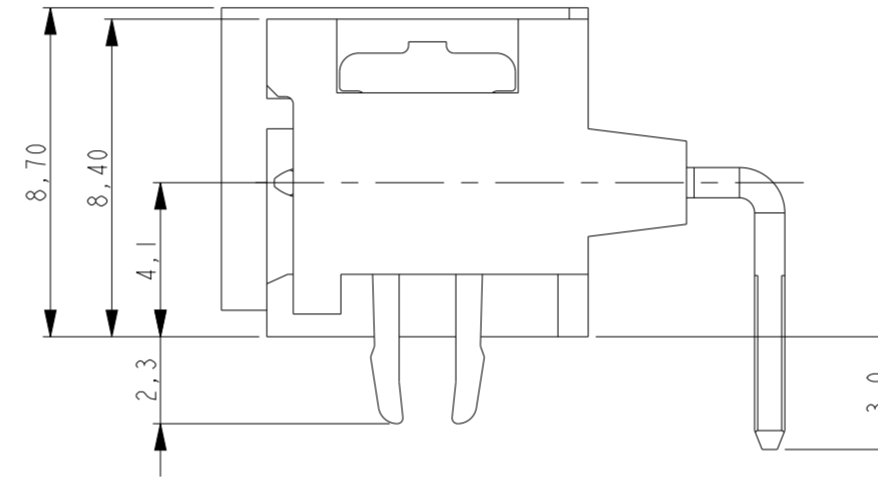
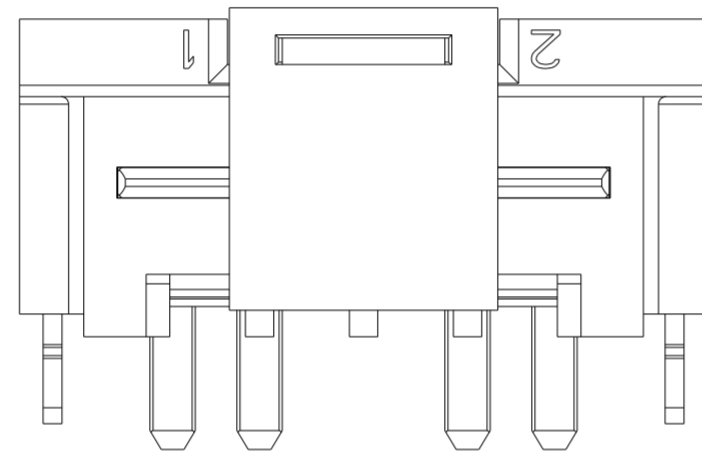
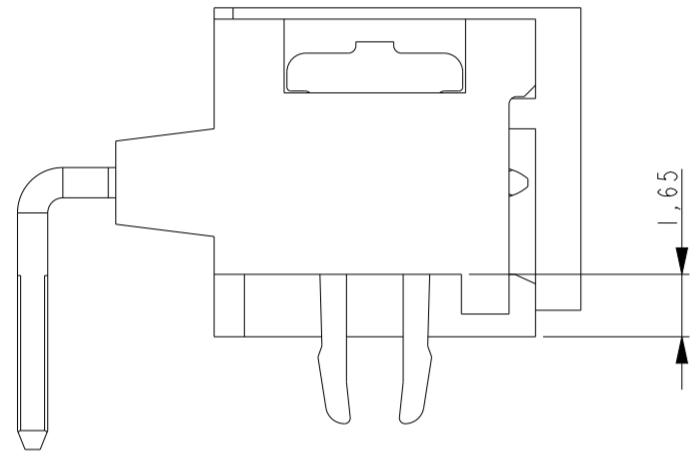
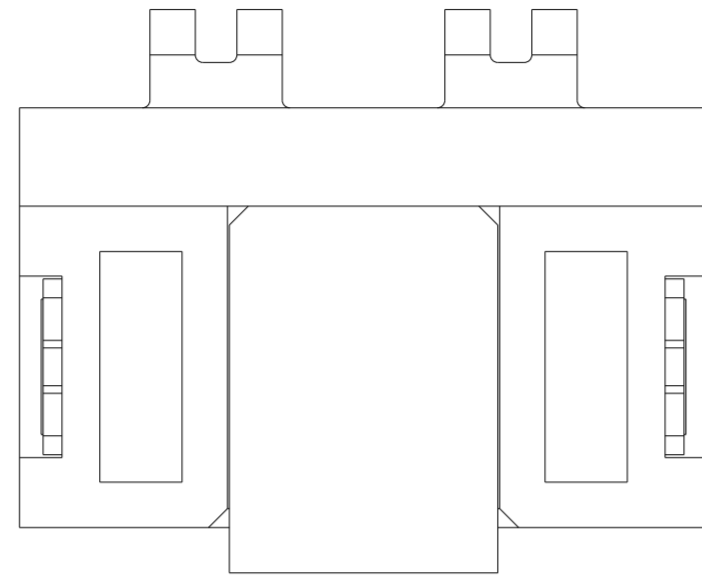
- MATERIAL: TRANSPARENT POLYSTYRENE ALLOY.
- 10 SPROCKET HOLES PITCH CUMULATIVE TOLERANCE $\pm 0,20$.
- CARRIER CAMBER IS WITHIN 1 mm IN 250 mm.
- ALL DIMENSIONS MEET EIA-481-C REQUIREMENTS.
- THICKNESS: $0,50 \pm 0,05$ mm.
- REEL PACKAGING ONLY FOR OTHER PART NUMBERS.

THIS DRAWING IS A CONTROLLED DOCUMENT.		DWN R. Annokke	11-Nov-21	 TE Connectivity NAME ELCON Mini, 2-position header right-angle
DIMENSIONS: mm		CHK R. Annokke	11-Nov-21	
TOLERANCES UNLESS OTHERWISE SPECIFIED:		APVD J. Broeksteeg	11-Nov-21	
0 PLC $\pm 0,5$ 1 PLC $\pm 0,1$ 2 PLC $\pm 0,05$ 3 PLC \pm 4 PLC \pm ANGLES ± 2 FINISH		PRODUCT SPEC 108-19346	APPLICATION SPEC 114-19110	
MATERIAL	-	WEIGHT	-	SIZE A2 CAGE CODE 00779 DRAWING NO G-1982295 RESTRICTED TO -
Customer Drawing			SCALE 1:1	SHEET 2 OF 3
			REV C7	

1471-9 (3/11)

THIS DRAWING IS UNPUBLISHED. RELEASED FOR PUBLICATION
 © COPYRIGHT - TE CONNECTIVITY ALL RIGHTS RESERVED.

LOC	DIST	REVISIONS			
P	LTR	DESCRIPTION	DATE	DWN	APVD
IR	-	SEE SHEET 1	-	-	-



1982295-7 IS SHOWN
 OTHER DIMENSIONS REFER TO SHEET 1

ITEM	DESCRIPTION	MATERIAL	FINISH
5	PICK&PLACE ADAPTOR	POLYAMIDE, NATURAL	
4	HOLD DOWN	DINI544 CK75	5,0 µm Sn MIN OVER 2,5 µm Ni MIN ALL OVER.
3	CONTACT DETECTION	COPPER ALLOY	0,75 µm Au MIN. IN CONTACT PLACE, Au FLASH IN SOLDER AREA OVER 1,27µm Ni MIN ALL OVER
2	CONTACT POWER TAB	COPPER ALLOY	1,2µm Ni MIN. ALL OVER 0,75µm Au MIN AT MATING ZONE Au FLASH AT SOLDER ZONE
2	CONTACT POWER TAB	COPPER ALLOY	3,0 µm Ag MIN ALL OVER.
1	HOUSING	LCP GF UL94V-0, BLACK	

THIS DRAWING IS A CONTROLLED DOCUMENT.

DWN	R. Annokkee	11-Nov-21
CHK	R. Annokkee	11-Nov-21
APVD	J. Broeksteeg	11-Nov-21

STE TE Connectivity

NAME: ELCON Mini, 2-position header right-angle

SIZE	CAGE CODE	DRAWING NO	RESTRICTED TO
A2	00779	C-1982295	-

Customer Drawing SCALE 5:1 SHEET 3 OF 3 REV C7