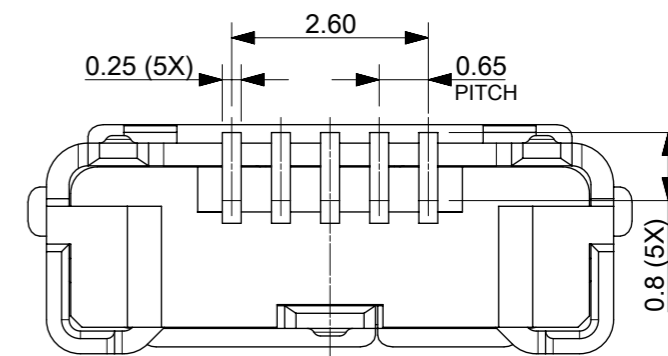
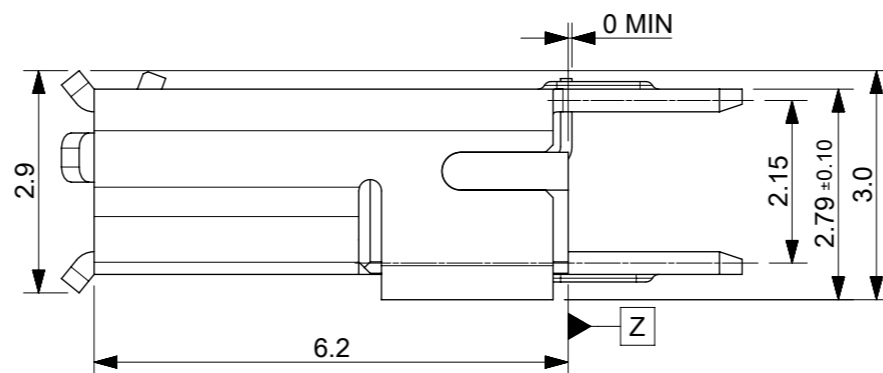
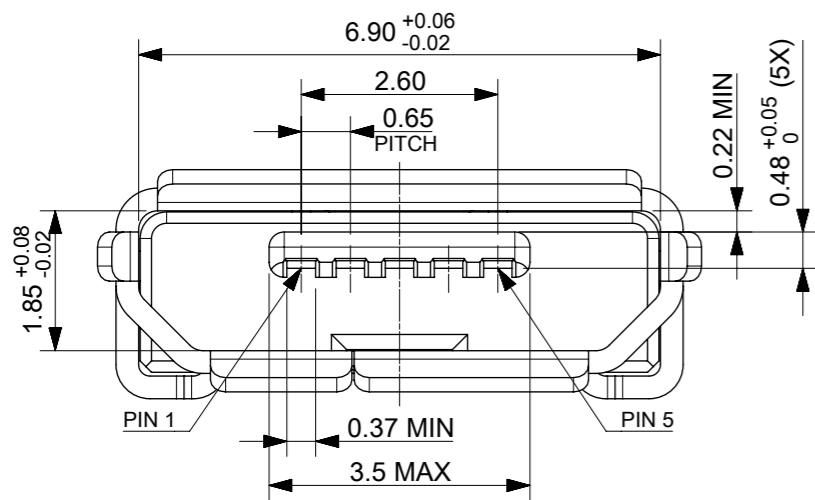


RECOMMENDED PCB LAYOUT (THICKNESS=1.6mm)  
GENERAL TOLERANCE: ±0.05



PIN	NAME
5	GND
4	ID
3	D+
2	D-
1	VBUS

PIN ASSIGNMENT

NOTES:

- MATERIAL:  
HOUSING & COVER: HIGH TEMPERATURE THERMOPLASTIC, BLACK, UL94V-0;  
TERMINAL: COPPER ALLOY, THICKNESS: 0.15mm;  
SHELL: STAINLESS STEEL, THICKNESS: 0.30mm.
- PLATING:  
TERMINAL: CONTACT AREA: MINIMUM 0.75 MICRON GOLD;  
SOLDER TAIL AREA: GOLD FLASH;  
UNDER PLATING: NICKEL 2.0 MICRON MINIMUM.  
SHELL: 1.27 MICRON MINIMUM SOLDERABLE NICKEL PLATING OVER ALL.
- TAIL COPLANARITY 0.08mm MAXIMUM.
- PRODUCT SPECIFICATION: PS-105133-001.
- PACKAGE SPECIFICATION: PK-105133-001.

THIS DRAWING CONTAINS INFORMATION THAT IS PROPRIETARY TO MOLEX ELECTRONIC TECHNOLOGIES, LLC AND SHOULD NOT BE USED WITHOUT WRITTEN PERMISSION													
DIMENSION UNITS		SCALE		CURRENT REV DESC:									
mm		NTS											
GENERAL TOLERANCES (UNLESS SPECIFIED)				<p><b>molex</b></p> <p>SALES DRAWING FOR USB, MICRO-B VERTICAL TYPE</p> <p>PRODUCT CUSTOMER DRAWING</p>									
ANGULAR TOL ± 3.0°													
4 PLACES ±		EC NO: 678130								2021/10/28			
3 PLACES ±		DRWN: XQZHANG								2022/06/08			
2 PLACES ± 0.2		CHK'D: AYIN								2022/06/08			
1 PLACE ± 0.25		APPR: AYIN		INITIAL REVISION:		DOCUMENT NUMBER		DOC TYPE DOC PART REVISION					
0 PLACES ±		DRWN: XQZHANG		2012/05/07		SD-105133-011		PSD 000 D					
DRAFT WHERE APPLICABLE MUST REMAIN WITHIN DIMENSIONS		THIRD ANGLE PROJECTION		DRAWING		SERIES		MATERIAL NUMBER CUSTOMER SHEET NUMBER					
		A3-SIZE		105133		105133-0011		GENERAL MARKET 1 OF 1					