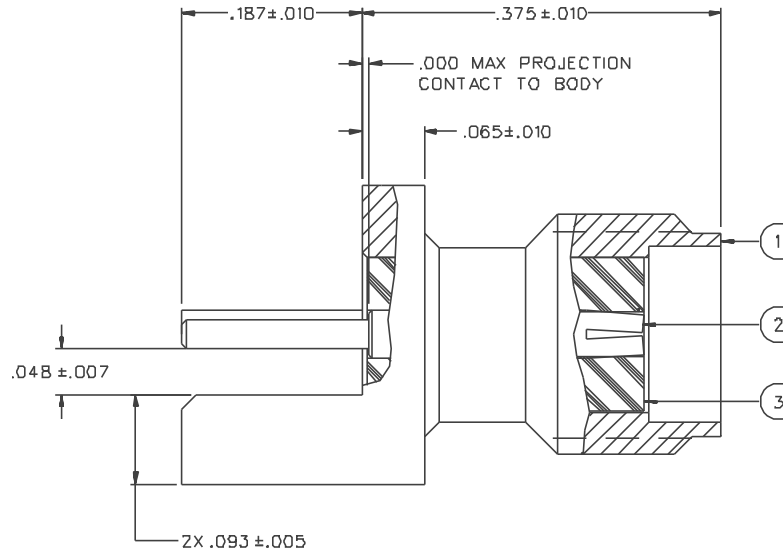
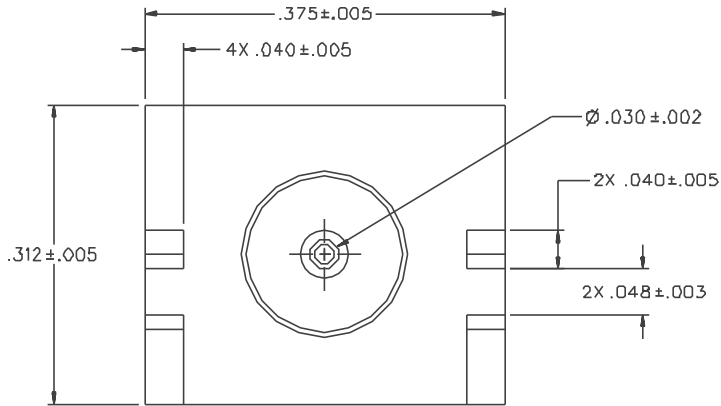


PART NUMBER	ITEM ① BCDY	ITEM ② CONTACT	ITEM ③ INSULATOR
142-D7D1-B31	BRASS GOLD PL .00001 MIN OVER NICKEL PL .00005 MIN OVER COPPER PL .00005 MIN	BERYLLIUM COPPER GOLD PL .00005 MIN OVER NICKEL PL .00005 MIN OVER COPPER PL .00005 MIN	TEFLON
142-D7D1-B36	BRASS NICKEL PL .0001 MIN OVER COPPER PL .00005 MIN	BERYLLIUM COPPER GOLD PL .00005 MIN OVER NICKEL PL .00005 MIN OVER COPPER PL .00005 MIN	TEFLON



NOTES:

1. SPECIFICATIONS:

IMPEDANCE: 50 OHMS
 FREQUENCY RANGE: 0-18 GHz
 VSWR: NOT APPLICABLE
 WORKING VOLTAGE: 335 VRMS MAX AT SEA LEVEL
 DIELECTRIC WITHSTANDING VOLTAGE: 1000 VRMS MIN AT SEA LEVEL
 INSULATION RESISTANCE: 5000 MEGOHM MIN
 CONTACT RESISTANCE:
 CENTER CONTACT - INITIAL 3.0 MILLIOHM MAX, AFTER ENVIRONMENTAL 4.0 MILLIOHM MAX
 OUTER CONDUCTOR - INITIAL 2.0 MILLIOHM MAX AFTER ENVIRONMENTAL NOT APPLICABLE
 BRAID TO BODY - NOT APPLICABLE
 CORONA LEVEL: 250 VOLTS MIN AT 70,000 FEET
 INSERTION LOSS: NOT APPLICABLE
 RF LEAKAGE: NOT APPLICABLE
 RF HIGH POTENTIAL WITHSTANDING VOLTAGE: 670 VRMS MIN AT 4 AND 7 MHz

MECHANICAL:

ENGAGE/DISENGAGE TORQUE: 2 INCH-POUNDS MAX
 MATING TORQUE: 7-10 INCH POUNDS
 COUPLING PROOF TORQUE: NOT APPLICABLE
 COUPLING NUT RETENTION: NOT APPLICABLE
 CONTACT RETENTION: 6 LBS MIN AXIAL FORCE
 4 IN-OZ MIN RADIAL TORQUE
 CABLE ACCEPTABILITY: NOT APPLICABLE
 CABLE HEX CRIMP SIZE: NOT APPLICABLE
 CABLE RETENTION: NOT APPLICABLE
 DURABILITY: 500 CYCLES MIN

ENVIRONMENTAL:

(MEETS OR EXCEEDS THE APPLICABLE PARAGRAPH OF MIL-PRF-39012)
 THERMAL SHOCK: MIL-STD-202, METHOD 107, CONDITION B
 OPERATING TEMPERATURE: -65 DEG C TO 165 DEG C
 CORROSION: MIL-STD-202, METHOD 101, CONDITION B
 SHOCK: MIL-STD-202, METHOD 213, CONDITION I
 VIBRATION: MIL-STD-202, METHOD 204, CONDITION D
 MOISTURE RESISTANCE: MIL-STD-202, METHOD 106

DRAWING NO. C - 142-0701-831/840	
0 REVISIONS	
ENGINEERING RELEASE	
1	10-26-92 R H T B A ECO 12-18-92 41348
CHANGED: .048±.007 WAS .048±.006, UPDATED GRAPHICS	
1a	2-22-94 R H T B A ECO 3-8-94 42223
DELETED: -.835, NOTE 2 TIN DIP LEADS	
* REVISION NUMBER FOLLOWED BY AN ALPHA * * CHARACTER INDICATES DRAWING CLARIF. * * CAUTION OR PART NUMBER ADDITION ONLY. *	
1b	6-11-94 R H T B A ECN 6-21-94 42517
ADDED: .000 MAX PROJECTION, CUT AWAY FLANGE DETAIL CHANGED: 4X .040±.005 WAS 2X .040±.005 DELETED: .025±.010	
2	10-24-96 R H T B A ECN 44269
VERSION UPDATE	
3	2-26-99 R H T B A ECN 46210
VERSION UPDATE	
3a	8-13-01 R H T B A ECN 47961

CUSTOMER DRAWING

THIS DRAWING TO BE INTERPRETED PER ANSI Y 14.5M - 1982

"μSTATION"

COMPANY CONFIDENTIAL

TOLERANCE UNLESS OTHERWISE SPECIFIED	DRAWN BY VET	DATE 9-17-92	 Cinch Connectivity Solutions 299 Johnson Ave Ste 100 Muskego, WI 53059 1-800-247-8256	
DECIMALS .XX	CHECKED BY	DATE	TITLE JACK ASSEMBLY END LAUNCH SMA	
.XXX	APPROVED BY VET	DATE 11-18-92	CODE NO.	DRAWING NO. C - 142-0701-831/840
NATL	APPROVED BY TAK/RJB	DATE 12-14-92	SCALE 10:1	U/M INCH SHEET 2 OF 2
FINISH	RELEASE DATE	12-18-92		