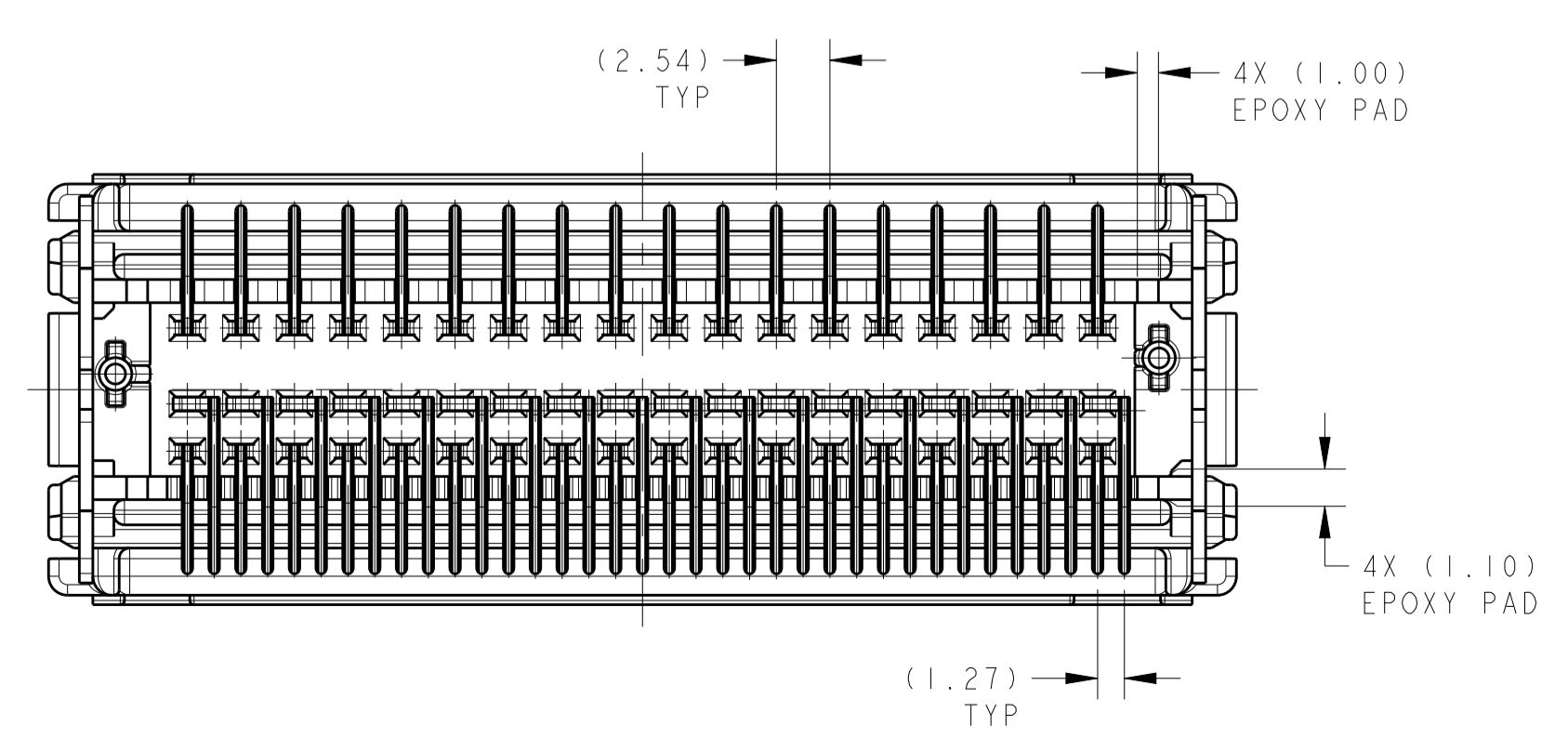
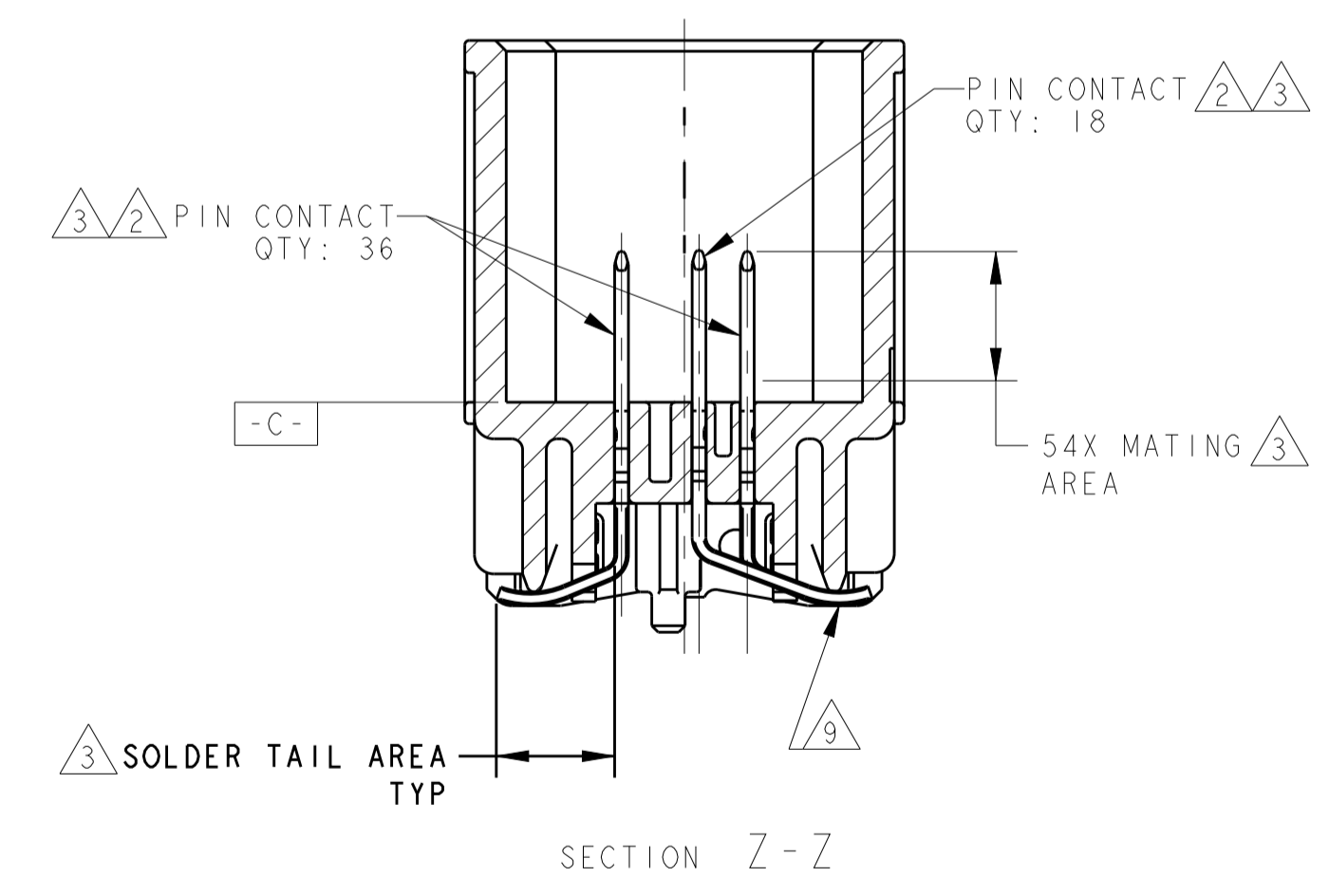
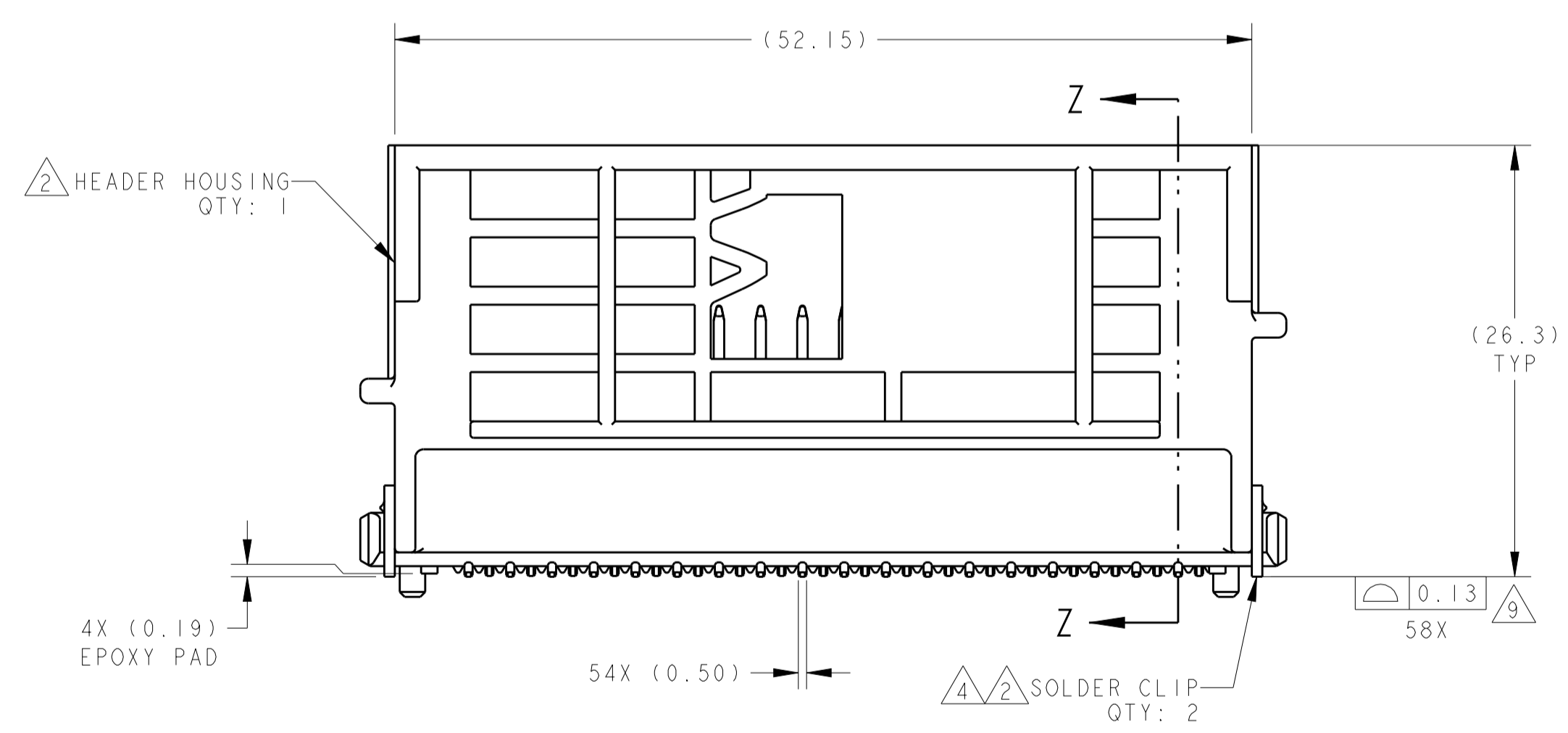
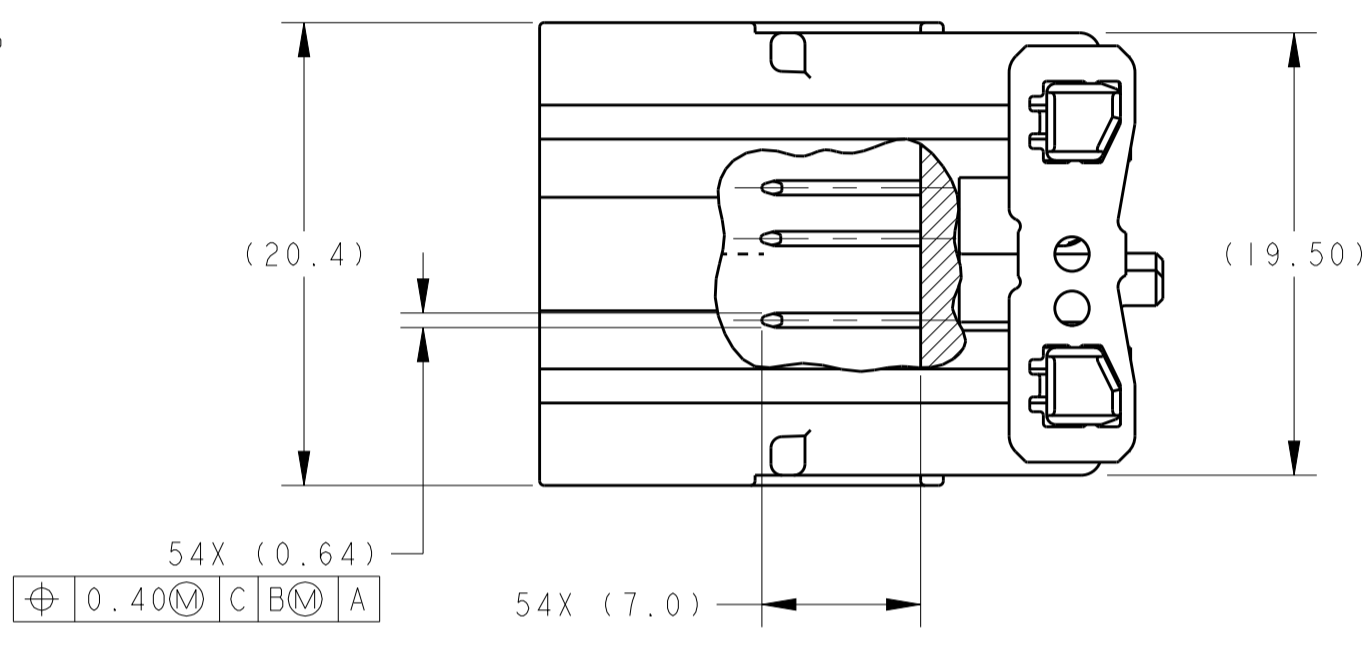
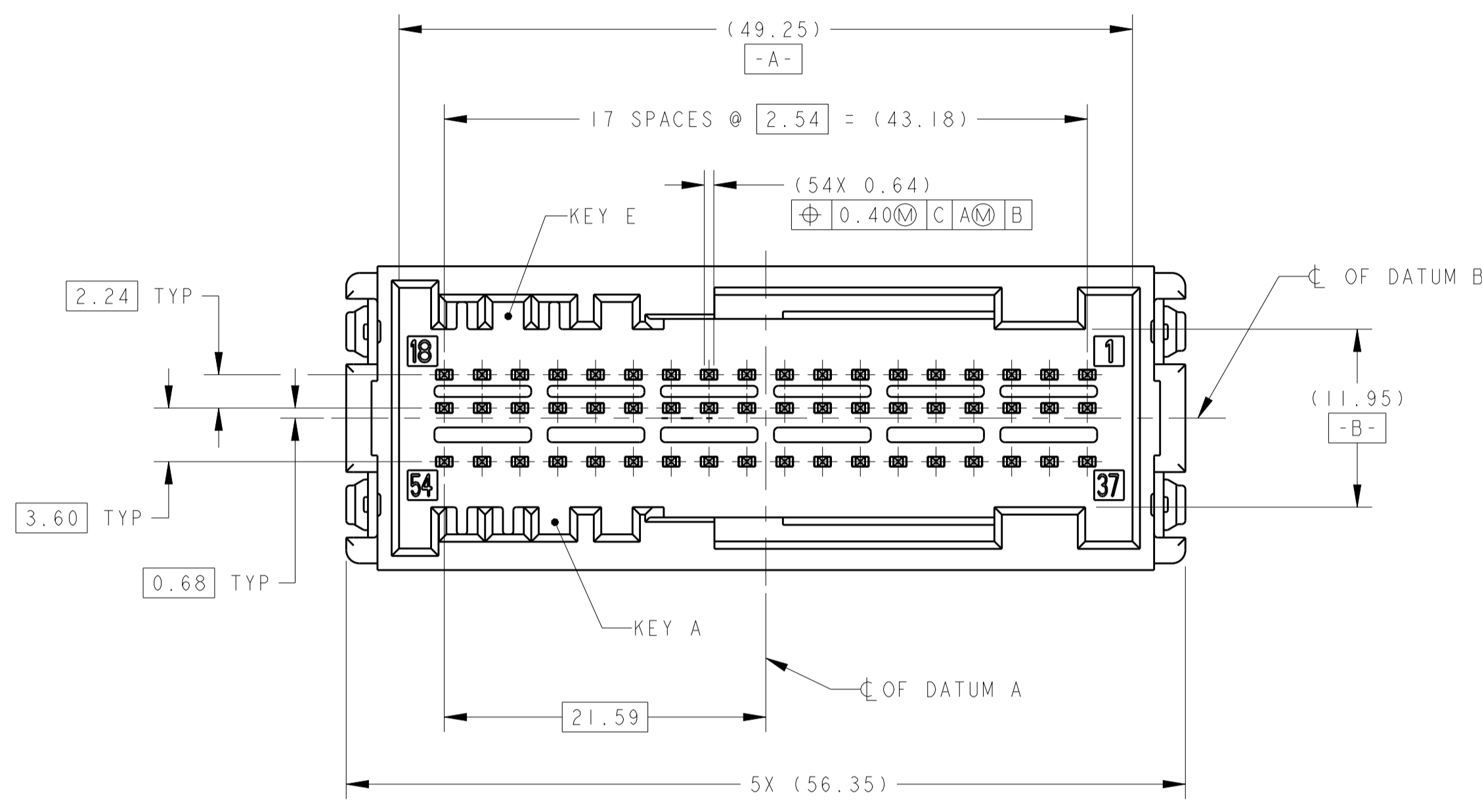
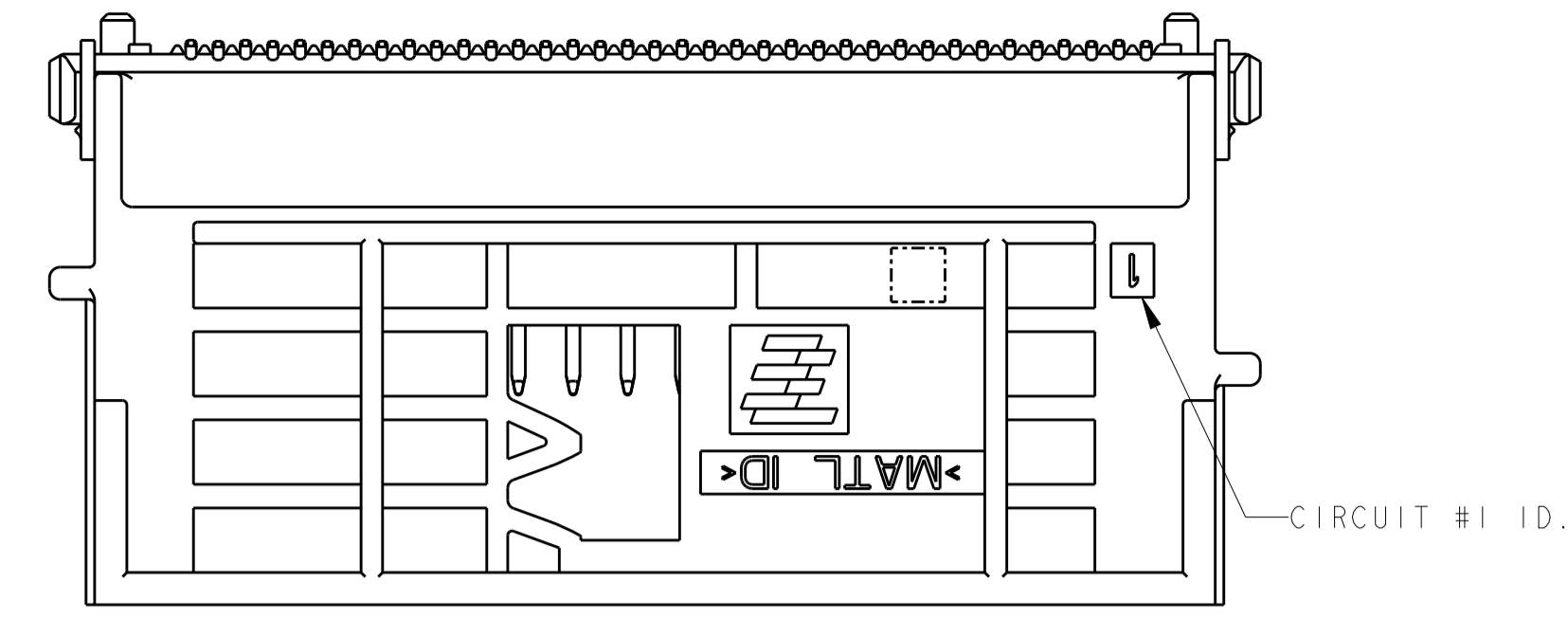
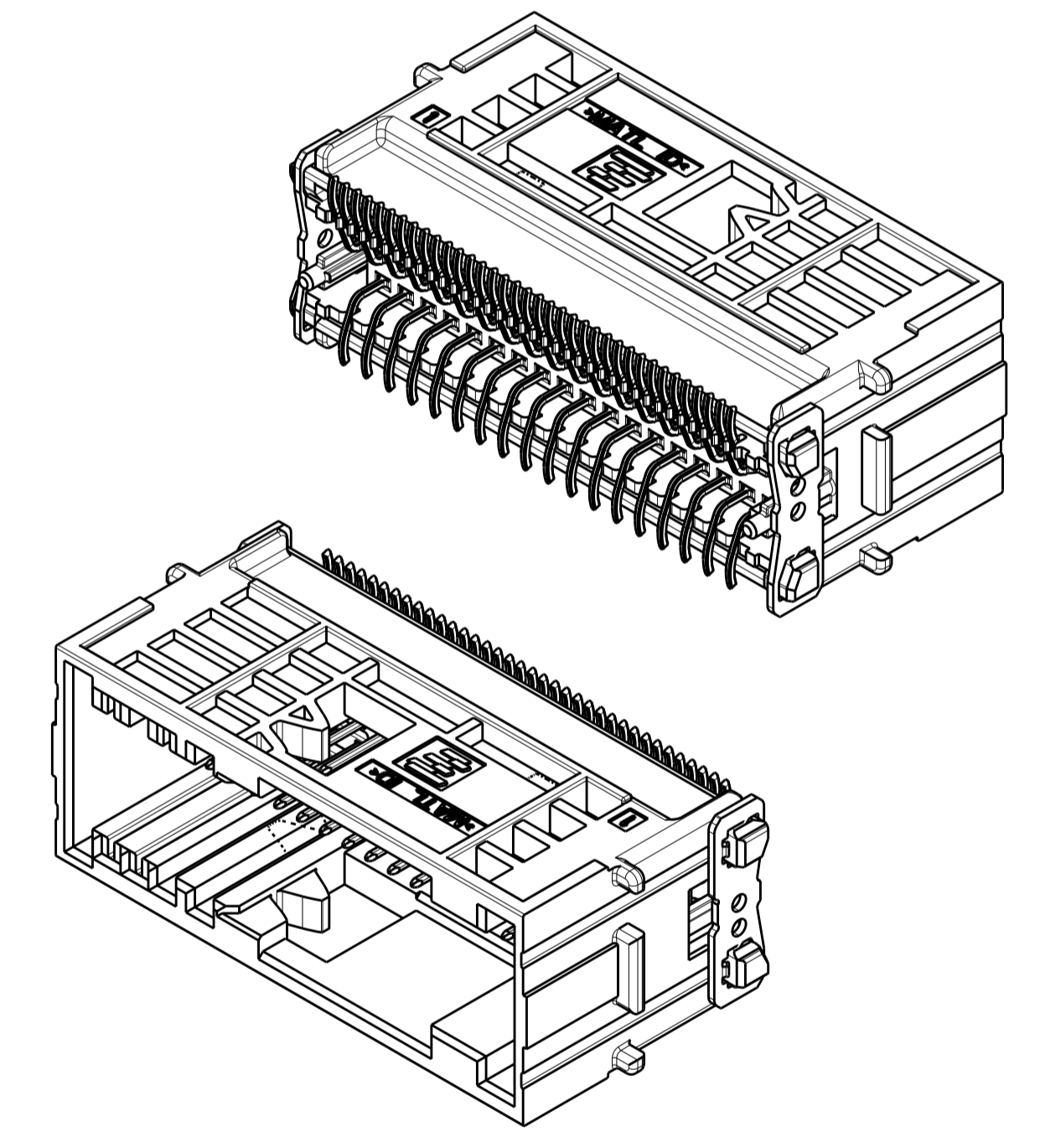


REVISIONS				
P.	LTN	DESCRIPTION	DATE	APVD
D2		REVISED PER ECO-15-004309	19AUG2015	DLD CJS
D3		REVISED PER ECO-19-001555	31JAN2019	JMS CS



- 2035239-1 SHOWN.
- HEADER HOUSING: POLYESTER PCT, BLACK.
PIN CONTACTS: BRASS.
SOLDER CLIPS: BRASS
- PIN CONTACTS: 0.8µm MIN TIN IN MATING AREA AND 2.5µm MIN TIN IN SOLDER TAIL AREA ALL OVER 1.00µm NICKEL.
- SOLDER CLIPS: 3.8µm MIN TIN OVER 1.27µm MIN NICKEL.
- DATUMS AND BASIC DIMENSIONS ESTABLISHED BY CUSTOMER.
- ALLOW FOR OVER PRINTING ON PC BOARD.
- SOLDER PASTE VOLUME PER LAYOUT
SOLDER TAIL, ROW 1 (1.27) = 0.938mm³
SOLDER TAIL, ROW 2 (2.54) = 0.953mm³
SOLDER PASTE THICKNESS CAN CHANGE BASED ON APERTURE SIZE BUT SHOULD NOT VIOLATE 0.15mm THICKNESS.
- THIS PRODUCT HAS COMPLETED VALIDATION TESTING.
- THE COPLANARITY REQUIREMENT APPLIES AT THE TANGENT OF THE RADIUS OF THE J-LEAD SOLDER TAILS AS SHOWN, NOT AT THE TIPS OF THE J-LEADS.

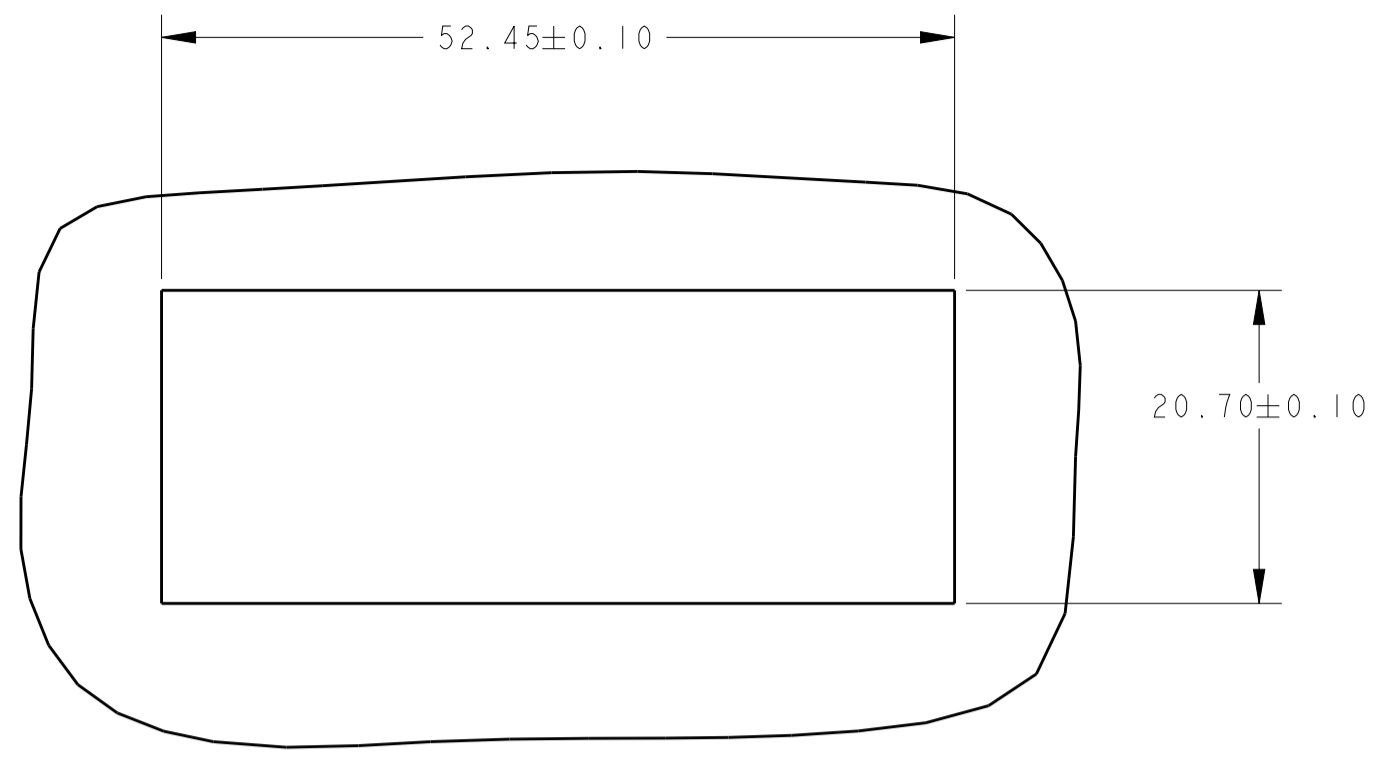


ISOMETRIC VIEWS
SCALE 2:1

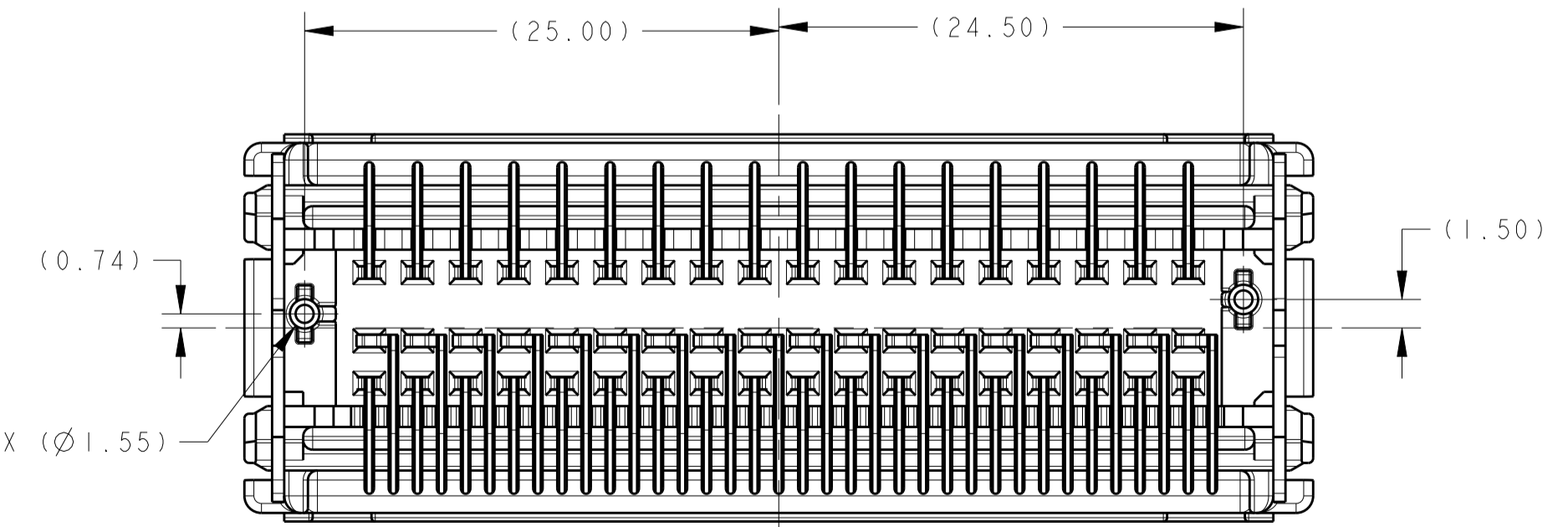
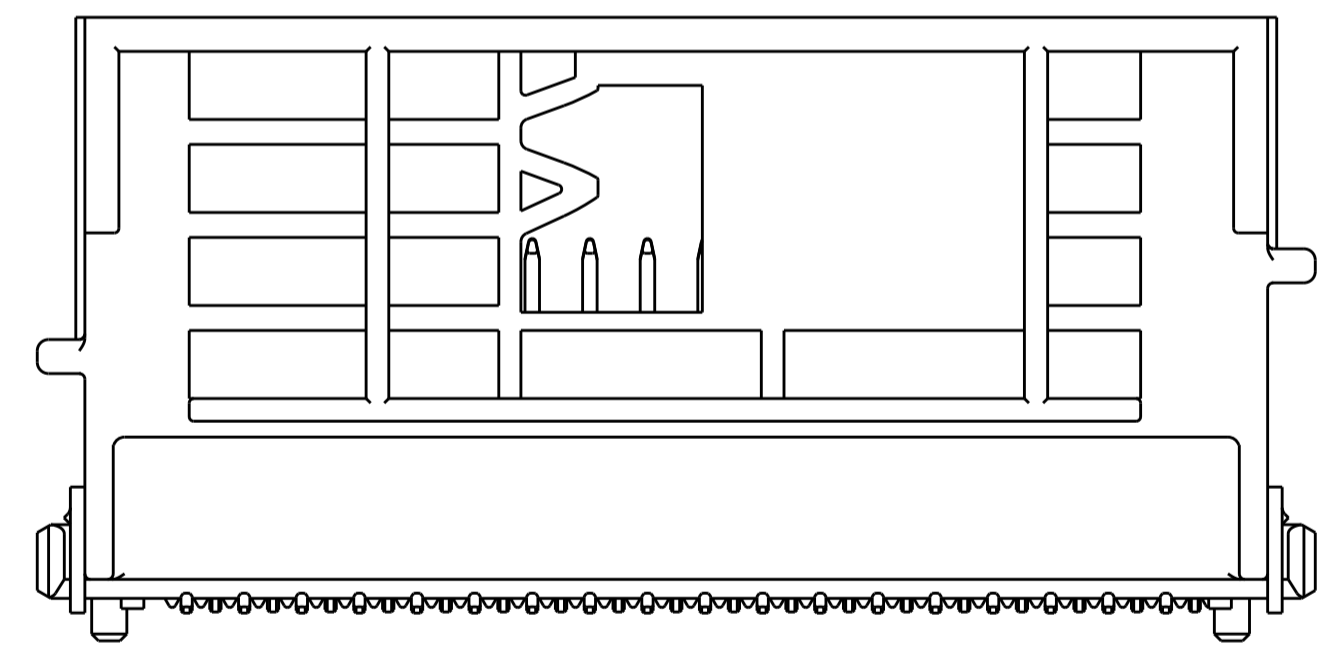
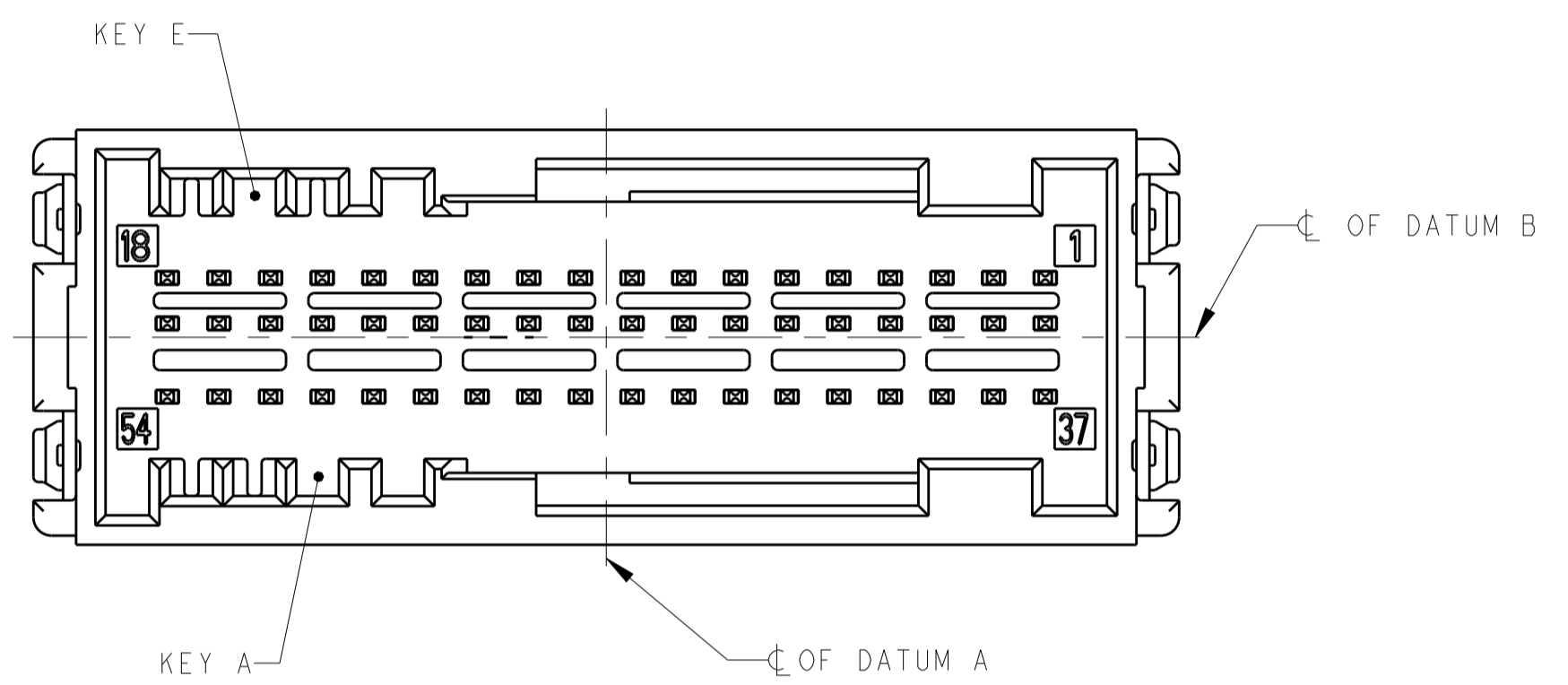
A-E	2035239-1
KEYING CODE OPTION	PART NUMBER

THIS DRAWING IS A CONTROLLED DOCUMENT. DIMENSIONING AND TOLERANCING PER ASME Y14.5M-2009.		DWN: K. FOLTZ 08MAY2008 CHK: D. FRY 09MAY2008 APVD: D. FRY 09MAY2008	TE TE Connectivity NAME: HEADER ASSEMBLY, 54 POSITION, VERTICAL, SURFACE MOUNT, 0.64mm GENERATION Y, LAC
DIMENSIONS: mm TOLERANCES UNLESS OTHERWISE SPECIFIED: 0 PLC ± 1 PLC ± 2 PLC ± 3 PLC ± 4 PLC ± ANGLES ± FINISH: SEE NOTES AND NOTE CALLOUTS	PRODUCT SPEC APPLICATION SPEC SIZE: 114-13230 WEIGHT: - CUSTOMER DRAWING	A100779C=2035239 SCALE: 3:1 SHEET 1 OF 2 REV D3	

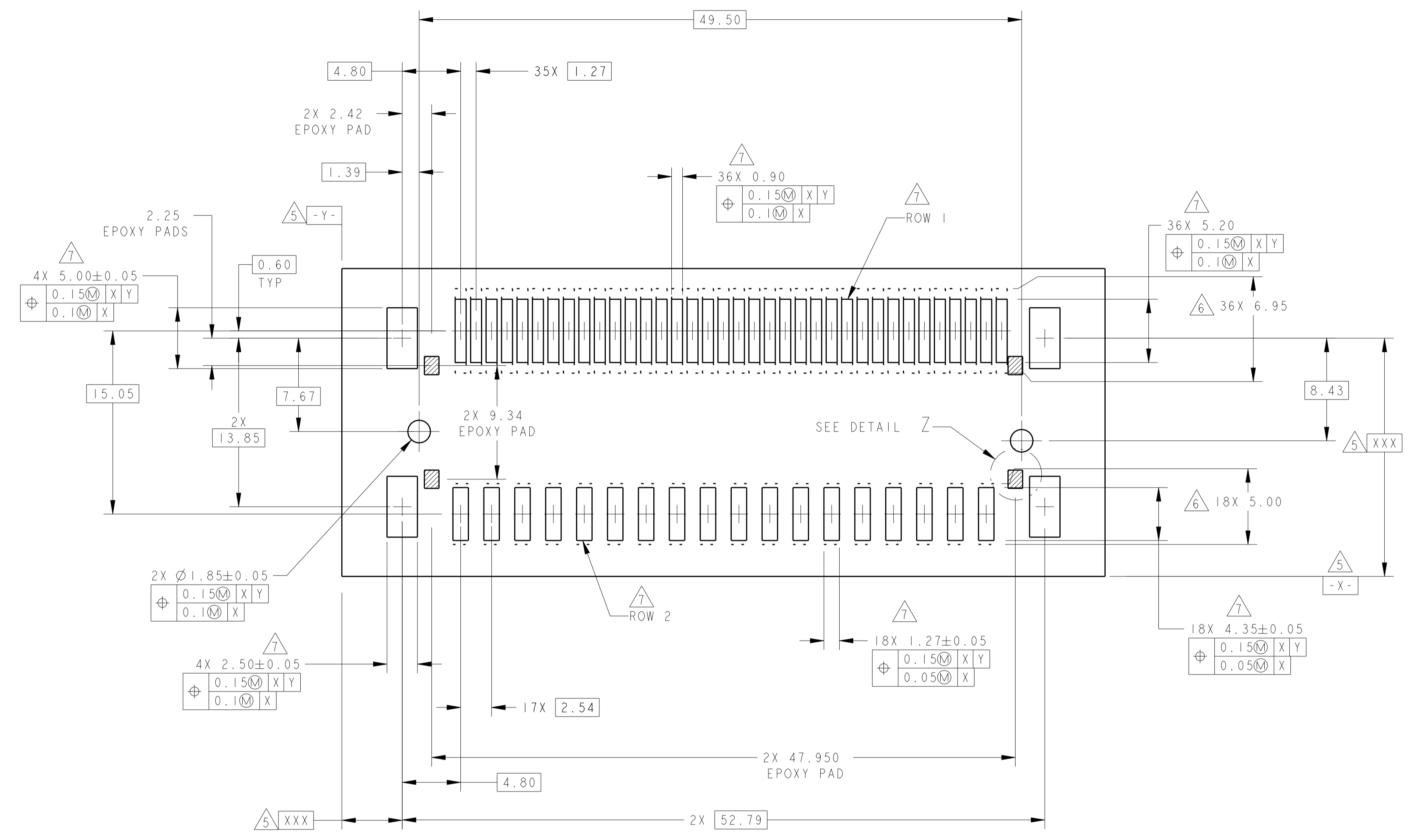
REVISIONS				
P.	LTN.	DESCRIPTION	DATE	APPV.
-	-	SEE SHEET 1	-	-



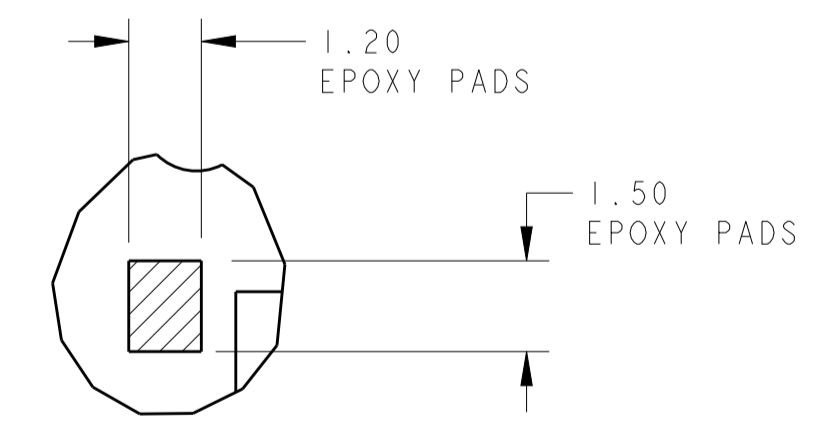
RECOMMENDED PANEL CUT-OUT
 SCALE 2:1



KEY CODE AE
 2035239-1 ONLY
 SCALE 3:1



RECOMMENDED PC BOARD LAYOUT
 CONNECTOR SIDE OF BOARD
 SCALE 4:1



DETAIL Z
 SCALE 8:1

THIS DRAWING IS A CONTROLLED DOCUMENT. DIMENSIONING AND TOLERANCING PER ASME Y14.5M-2009.		DWN A. FOLTZ 08MAY2008	TE Connectivity NAME HEADER ASSEMBLY, 54 POSITION, VERTICAL, SURFACE MOUNT, 0.64mm GENERATION Y, LAC
DIMENSIONS: mm		CHK D. FRY 09MAY2008	
TOLERANCES UNLESS OTHERWISE SPECIFIED:		APVD D. FRY 09MAY2008	PRODUCT SPEC
0 PLC ± 1 PLC ± 2 PLC ± 3 PLC ± 4 PLC ± ANGLES ±		APPLICATION SPEC	SIZE CAGE CODE DRAWING NO. RESTRICTED TO
MATERIAL		FINISH	114-13230
SEE NOTES AND NOTE CALLOUTS		WEIGHT	A100779C=2035239
		CUSTOMER DRAWING	SCALE 3:1 SHEET 2 OF 2 REV D3