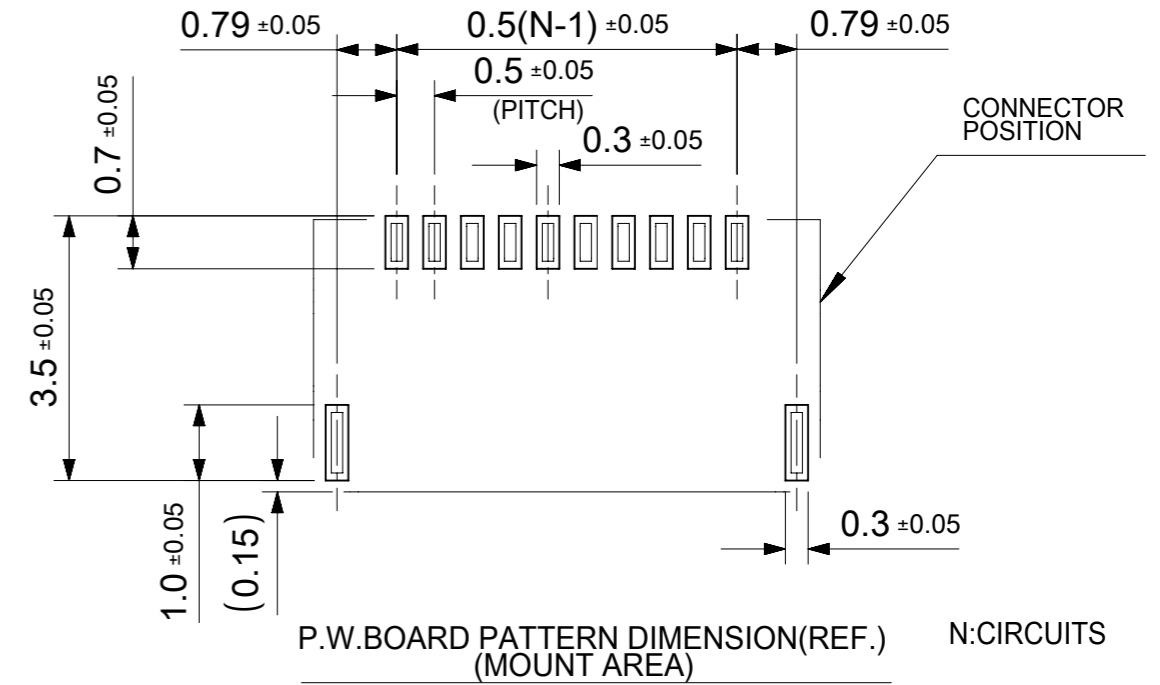
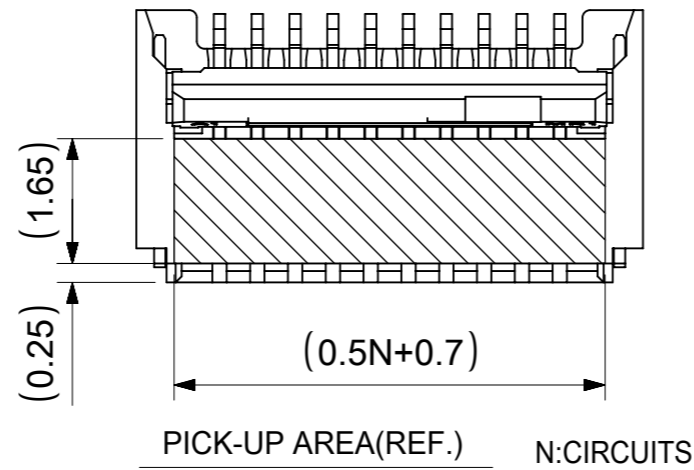
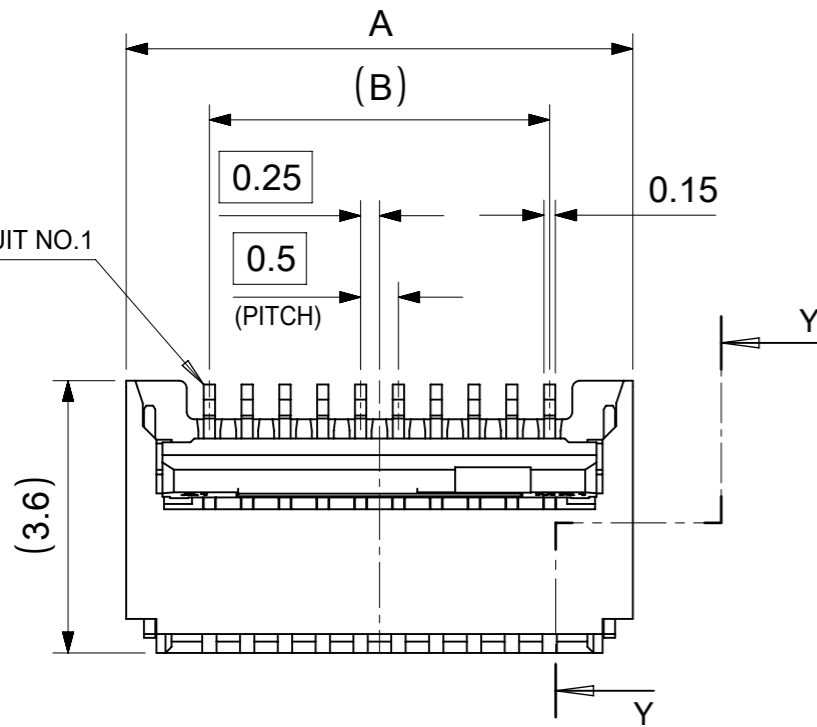
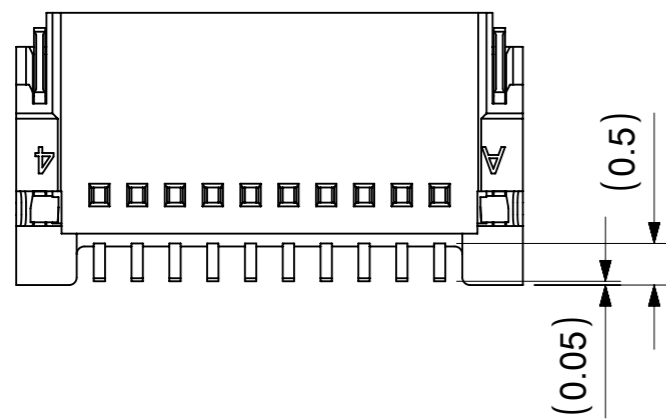
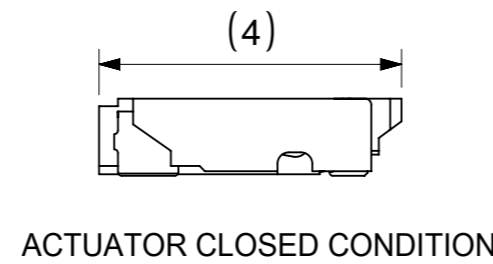
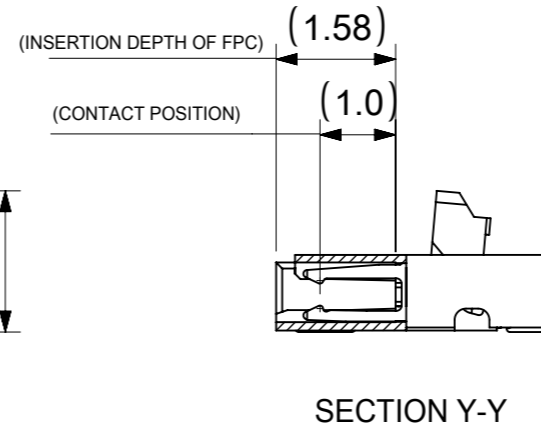
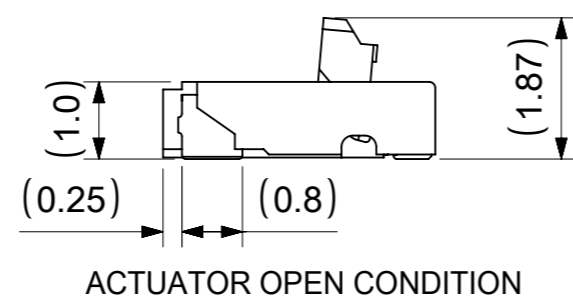
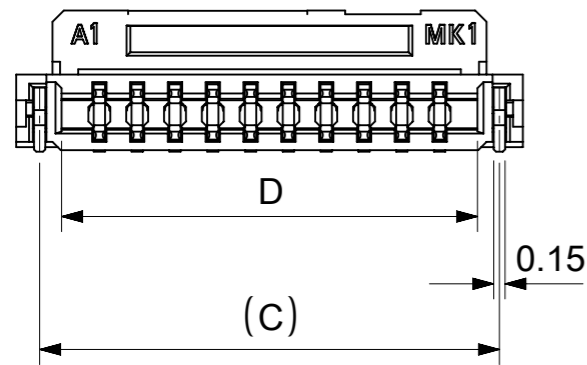


CIRCUIT NO.1



METAL MASK THICKNESS : 0.1mm
 OPENING AREA : TERM.(0.7X0.3)
 NAIL(1.0X0.3)



20.5	21.08	19.5	21.7	503480-4000	40
19.5	20.08	18.5	20.7	503480-3800	38
18.5	19.08	17.5	19.7	503480-3600	36
17.5	18.08	16.5	18.7	503480-3400	34
16.5	17.08	15.5	17.7	503480-3200	32
15.5	16.08	14.5	16.7	503480-3000	30
14.5	15.08	13.5	15.7	503480-2800	28
13.5	14.08	12.5	14.7	503480-2600	26
12.5	13.08	11.5	13.7	503480-2400	24
11.5	12.08	10.5	12.7	503480-2200	22
10.5	11.08	9.5	11.7	503480-2000	20
9.5	10.08	8.5	10.7	503480-1800	18
9.0	9.58	8.0	10.2	503480-1700	17
8.5	9.08	7.5	9.7	503480-1600	16
7.5	8.08	6.5	8.7	503480-1400	14
6.5	7.08	5.5	7.7	503480-1200	12
5.5	6.08	4.5	6.7	503480-1000	10
4.5	5.08	3.5	5.7	503480-0800	8
3.5	4.08	2.5	4.7	503480-0600	6
3.0	3.58	2.0	4.2	503480-0500	5
2.5	3.08	1.5	3.7	503480-0400	4
D	C	B	A	EMBOSSED PACKAGE ORDER NO.	CIRCUIT

CONNECTOR SERIES No. 503480-**09

THIS DRAWING CONTAINS INFORMATION THAT IS PROPRIETARY TO MOLEX ELECTRONIC TECHNOLOGIES, LLC AND SHOULD NOT BE USED WITHOUT WRITTEN PERMISSION

DIMENSION UNITS	SCALE	CURRENT REV DESC:		molex	
mm	1:1				
GENERAL TOLERANCES (UNLESS SPECIFIED)		EC NO: 740220		0.5 FPC CONN. E/O BACKFLIP H=1.0MM ASSEMBLY	
ANGULAR TOL	± 1.0°	DRWN: NARENC 2023/02/17		PRODUCT CUSTOMER DRAWING	
4 PLACES	± 0.2	CHK'D: HSHIMOYAMA 2023/02/27		DOCUMENT NUMBER	
3 PLACES	± 0.2	APPR: YNAITO 2023/02/27		SD-503480-001	
2 PLACES	± 0.2	INITIAL REVISION:		DOC TYPE	
1 PLACE	± 0.2	DRWN: THIRAYAMA 2009/12/11		PSD	
0 PLACES	± 0.2	APPR: KMORIKAWA 2009/12/14		DOC PART	
DRAFT WHERE APPLICABLE MUST REMAIN WITHIN DIMENSIONS		THIRD ANGLE PROJECTION	DRAWING	SERIES	SHEET NUMBER
			A3-SIZE	503480	1 OF 2

NOTES

1. PART COMPOSITION

HOUSING MATERIAL: LIQUID CRYSTAL POLYMER(LCP), GLASS FILLED, UL94V-0, NATURAL(WHITE)

TERMINAL MATERIAL: PHOSPHOR BRONZE

CONTACT AREA : SEPARATED GOLD PLATING (0.1 MICROMETER MINIMUM)

SOLDER TAIL AREA : SEPARATED GOLD PLATING

UNDERPLATE : NICKEL OVERALL (1.0 MICROMETER MINIMUM)

ACTUATOR MATERIAL : POLYAMIDE(PA), GLASS FILLED, UL94 HB, BLACK

NAIL MATERIAL: PHOSPHOR BRONZE

SOLDER TAIL AREA : TIN OVERALL(1.0 MICROMETER MINIMUM)
UNDERPLATE : NICKEL OVERALL(1.0 MICROMETER MINIMUM)

2 . PLEASE DO NOT OPERATE THE ACTUATOR BEFORE MOUNTING.

3. PLEASE OPERATE THE ACTUATOR AFTER INSERTING THE FPC INTO THE CONNECTOR.

4. ABOUT FPC

RECOMMENDED STIFFENER MATERIAL: POLYIMIDE

RECOMMENDED BASE FILM THICKNESS: 25 MICROMETER

RECOMMENDED ADHESIVE: THERMOSETTING ADHESIVE

NOTE: PLEASE PUT APPROPRIATE AMOUNT OF ADHESIVE ON ADHEREND BECAUSE THERE IS A POSSIBILITY THAT THE EXTRA ADHESIVE CAUSES THE DEFECT IN ELECTRICAL CONTINUITY.

RECOMMENDED PUNCHER DIRECTION: FROM CONDUCTOR SIDE TO STIFFENER FILM SIDE.

RECOMMENDED CONDUCTOR SPECIFICATION:

THICKNESS OF SOFT COPPER FOIL: 35MICROMETER

5 R0.3 MUST NOT BE OVERLAPPED TO PATTERN OF FPC.

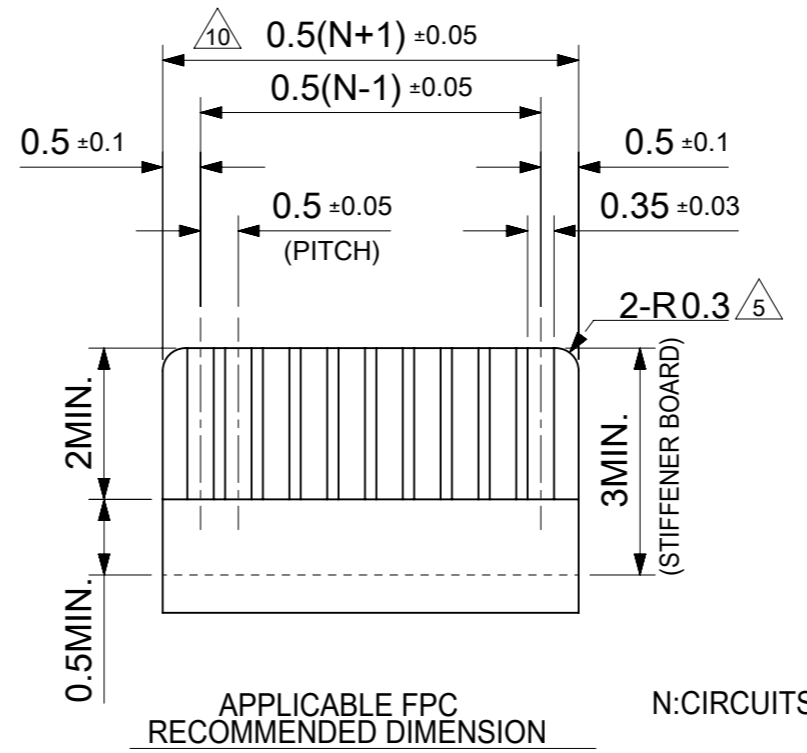
6. COPLANARITY : 0.1 MAXIMUM

7. PLEASE RECOGNIZE A POSSIBILITY TO CHANGE THE SHAPE OF THE PART THAT DOES NOT OBSTRUCT A FUNCTION, BY CIRCUMSTANCES IN OUR PRODUCTION.

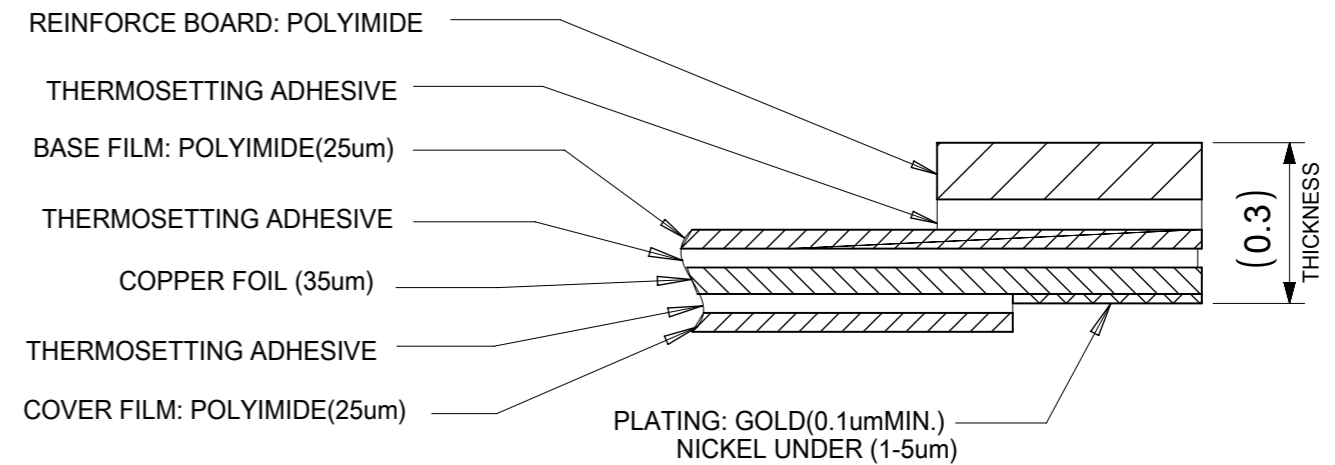
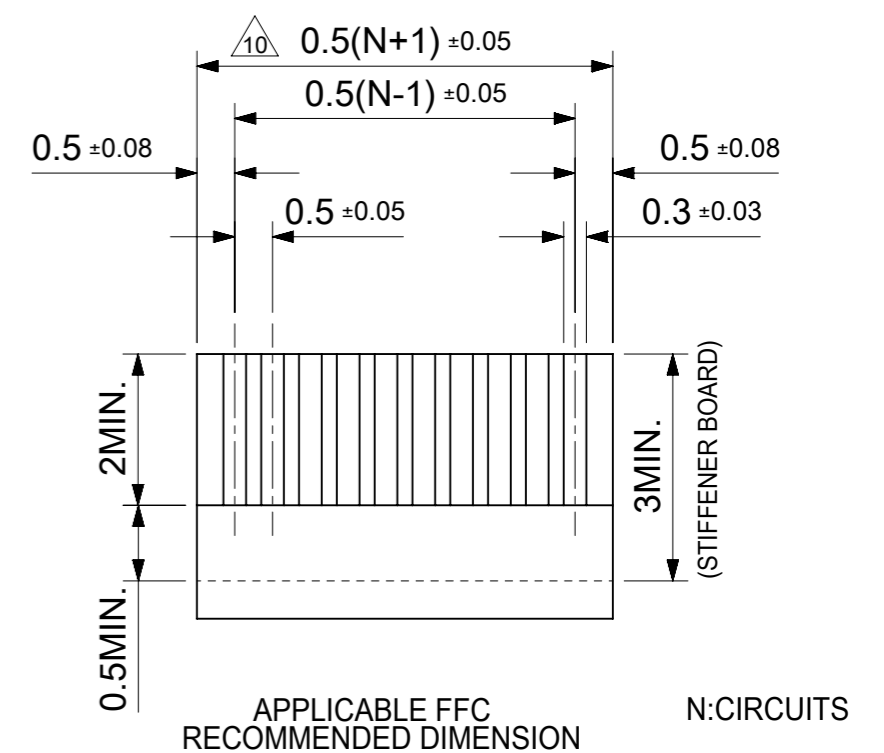
8. THIS PRODUCT IS DELIVERED WITH THE ACTUATOR IN THE OPEN POSITION.

9. THIS PRODUCT IS DUAL-CONTACT (TOP- AND BOTTOM-CONTACTS) TYPE CONNECTOR.

10 PLEASE CONFIRM TO INSERT FPC IN ADVANCE WHEN FPC WIDTH IS OVER $0.5(N+1)+0.02$.

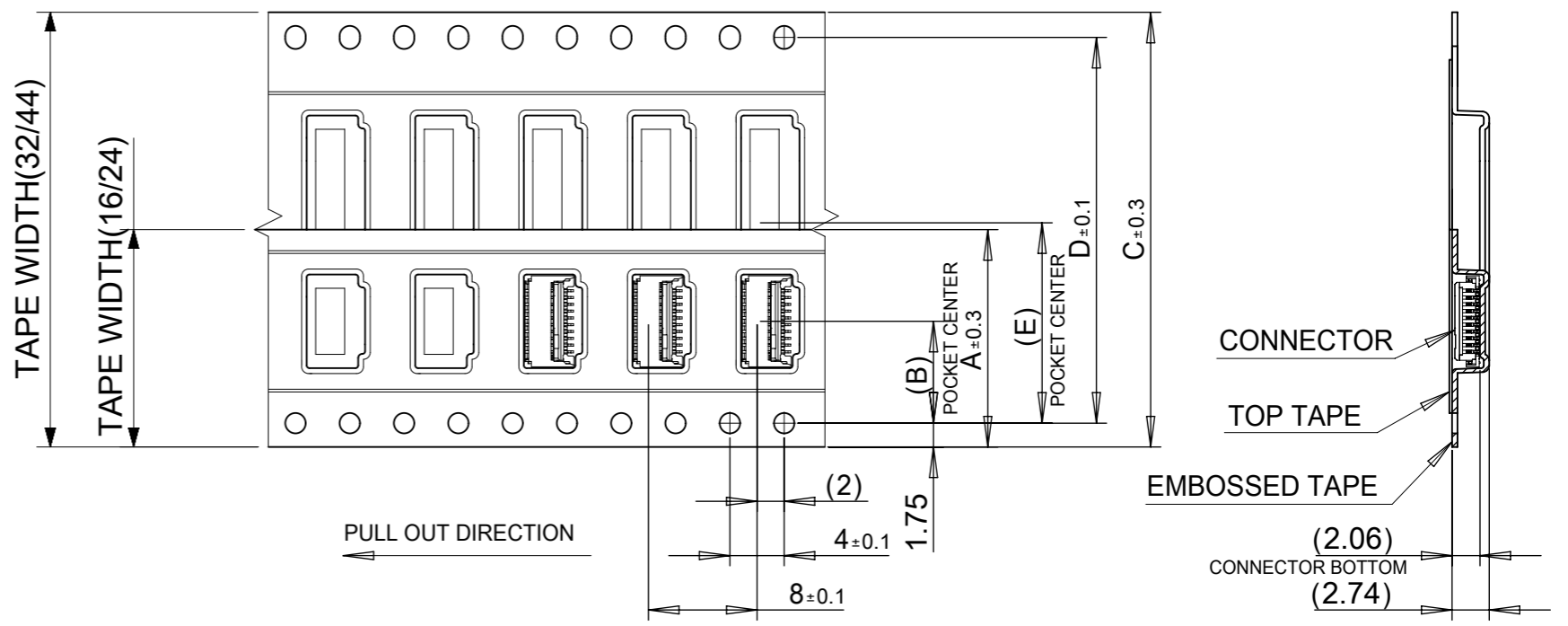
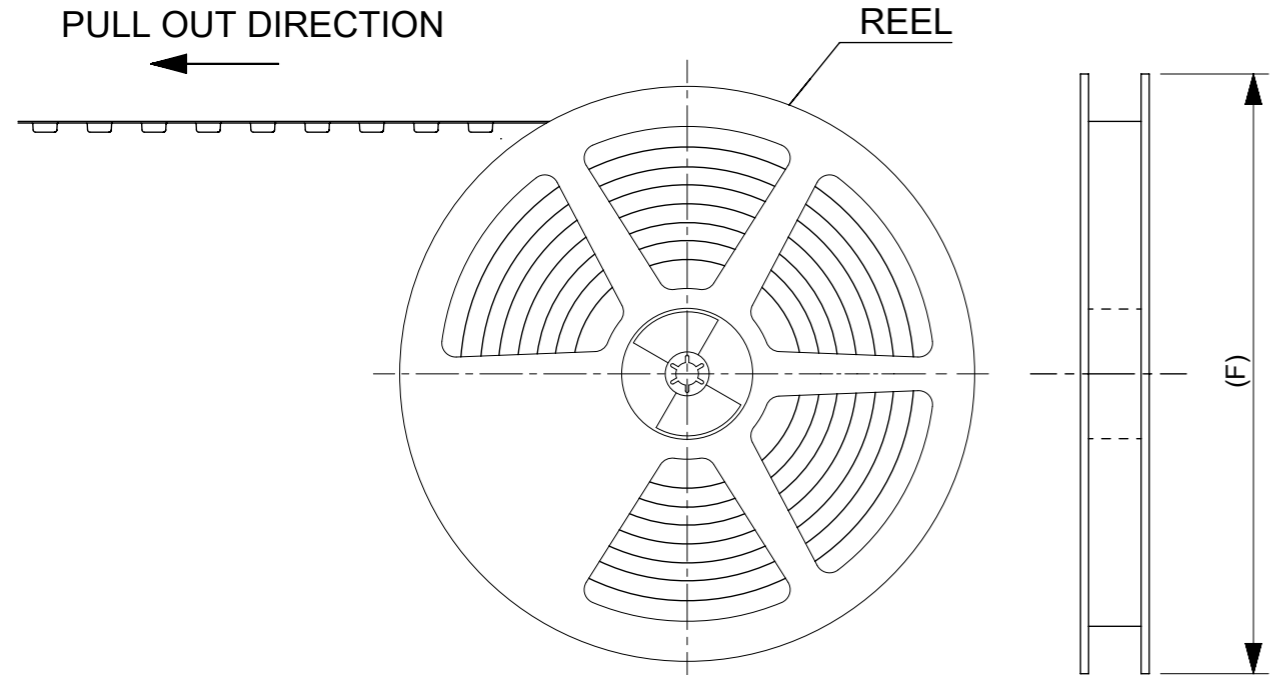


(THICKNESS : 0.3±0.05) : 30 OR LESS CIRCUITS
(THICKNESS : 0.3±0.03) : 31 OR OVER CIRCUITS



STRUCTURE OF FPC

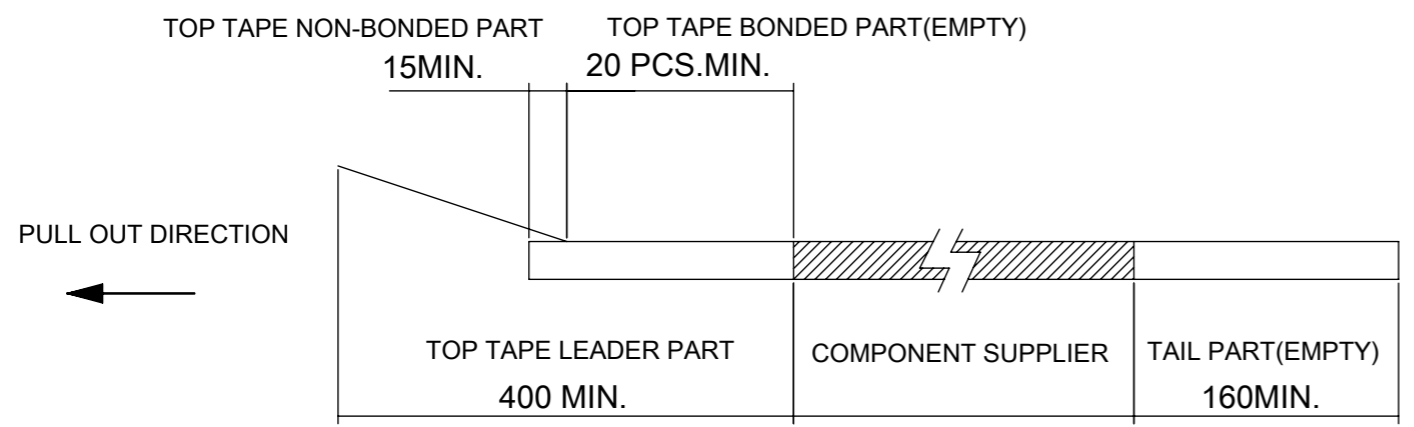
THIS DRAWING CONTAINS INFORMATION THAT IS PROPRIETARY TO MOLEX ELECTRONIC TECHNOLOGIES, LLC AND SHOULD NOT BE USED WITHOUT WRITTEN PERMISSION										
DIMENSION UNITS	SCALE	CURRENT REV DESC:					molex			
mm	1:1									
GENERAL TOLERANCES (UNLESS SPECIFIED)							0.5 FPC CONN. E/O BACKFLIP H=1.0MM ASSEMBLY			
ANGULAR TOL	± 1.0 °						PRODUCT CUSTOMER DRAWING			
4 PLACES	± 0.2	EC NO: 740220	2023/02/17							
3 PLACES	± 0.2	DRWN: NARENC	2023/02/27							
2 PLACES	± 0.2	CHK'D: HSHIMOMYAMA	2023/02/27							
1 PLACE	± 0.2	APPR: YNAITO	2023/02/27							
0 PLACES	± 0.2	INITIAL REVISION:				DOCUMENT NUMBER		DOC TYPE	DOC PART	REVISION
		DRWN: THIRAYAMA	2009/12/11		SD-503480-001		PSD	001	J	
		APPR: KMORIKAWA	2009/12/14							
DRAFT WHERE APPLICABLE MUST REMAIN WITHIN DIMENSIONS		THIRD ANGLE PROJECTION	DRAWING	SERIES	MATERIAL NUMBER	CUSTOMER		SHEET NUMBER		
			A3-SIZE	503480	SEE TABLE	GENERAL MARKET		2 OF 2		



DIRECTION OF CONNECTOR IN EMBOSSSED TAPE

NOTES

1. IN THE PACKAGE, PART NO.503480-**09 DETAILED DIMENSIONS. REFER TO SD-503480-001
2. NUMBER OF CONNECTORS : 3000PCS/REEL
3. LEAD TAPE LENGTH



4. MATERIAL
 CARRIER TAPE : PET
 TOP TAPE : PET,OTHER
 REEL : PS (RECYCLE MATERIAL CONTAINED)
5. COVER TAPE PEEL FORCE IS DEFINED BY IEC60286-3.

F	E	D	C	B	A	TAPE WIDTH	ORDER NO.	CIRCUIT
380	20.2	40.4	44	-	-	44	503480-4000	(E1) 40
							503480-3800	(E1) 38
							503480-3600	(E1) 36
							503480-3400	(E1) 34
330	14.2	28.4	32	-	-	32	503480-3200	32
							503480-3000	(E1) 30
380	-	-	-	11.5	24	24	503480-2800	(E1) 28
							503480-2600	26
							503480-2400	24
							503480-2200	22
							503480-2000	20
							503480-1800	18
							503480-1700	17
							503480-1600	16
							503480-1400	14
							503480-1200	12
330	-	-	-	7.5	16	16	503480-1000	10
							503480-0800	8
							503480-0600	6
							503480-0500	5
							503480-0400	4

(E2)	10 UNDER : ±0.20
	10 OVER 30 UNDER : ±0.25
	30 OVER : ±0.30

FUNCTIONAL SYMBOLS	THIS DRAWING CONTAINS INFORMATION THAT IS PROPRIETARY TO MOLEX ELECTRONIC TECHNOLOGIES, LLC AND SHOULD NOT BE USED WITHOUT WRITTEN PERMISSION	SCALE	CURRENT REV DESC:	molex
GENERAL TOLERANCES (UNLESS SPECIFIED)	mm	NTS	EC NO: 676145	
ANGULAR TOL	± 3.0°		DRWN: ICYANG	0.5 FPC CONN. E/O EMBOSSSED TAPE PACKAGE
DIVISIONAL SYMBOLS			2021/07/21	PRODUCT CUSTOMER DRAWING
			2021/09/02	DOCUMENT NUMBER
			2021/09/02	SD-503480-002
			INITIAL REVISION:	DOC TYPE
			DRWN: THIRAYAMA	PSD
			2009/12/11	001
			2009/12/14	E2
			DRAFT WHERE APPLICABLE MUST REMAIN WITHIN DIMENSIONS	SHEET NUMBER
			THIRD ANGLE PROJECTION	1 OF 1
			DRAWING	
			A3-SIZE	
			SERIES	
			503480	
			MATERIAL NUMBER	
			SEE TABLE	
			CUSTOMER	
			GENERAL MARKET	