

## Product Overview

### NCP6334: Synchronous Buck Converter, 3 MHz, 2.0 A

For complete documentation, see the data sheet.

The NCP6334B/C, a family of synchronous buck converters, which is optimized to supply different sub systems of portable applications powered by one cell Li-ion or three cell Alkaline/NiCd/NiMH batteries. The devices are able to deliver up to 2 A on an external adjustable voltage or a fixed output voltage range from 0.6 V to 3.3 V upon request. Operation with 3 MHz switching frequency allows employing small size inductor and capacitors. Synchronous rectification and automatic PWM/PFM power save mode offer improved system efficiency. The NCP6334B/C is in a space saving, low profile 2.0 x 2.0 x 0.75 mm WDFN-8 package.

#### Features

- 2.3 V to 5.5 V Input Voltage Range
- 3 MHz Switching Frequency
- Automatic Power Save Mode (NCP6334B) or Operating Mode Selection (NCP6334C)

#### Benefits

- Support Latest Battery
- Reduced output inductor and capacitor size
- Lower Quiescent Current, Save Battery Life

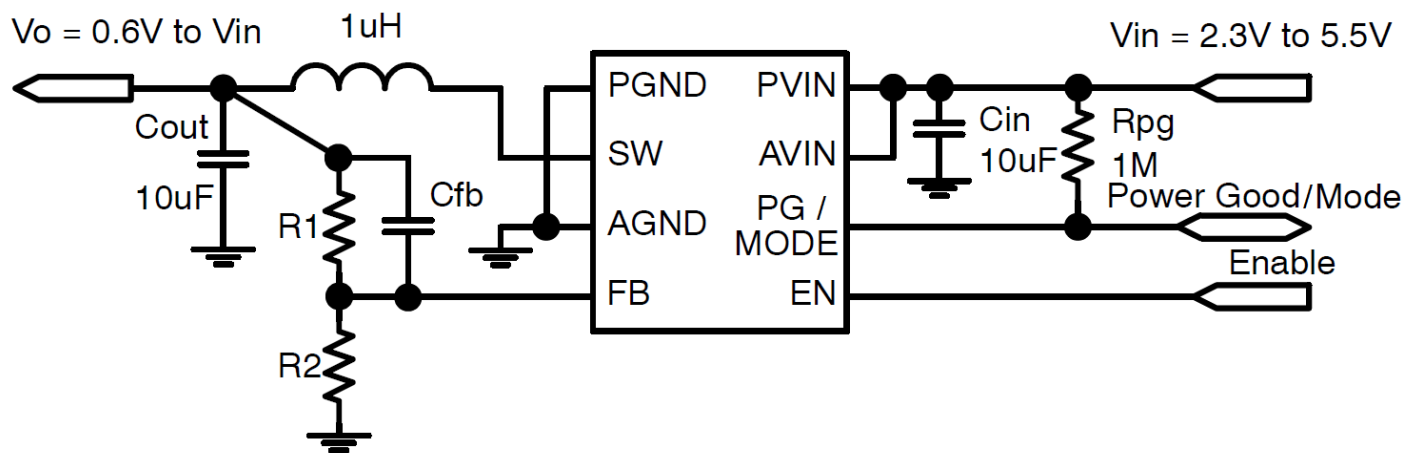
#### Applications

- Portable & Wireless Applications
- Computing & Peripherals Applications
- Consumer Applications

#### End Products

- Cellular Phones, Smart Phones, and PDAs
- Portable Media Players
- Digital Still Cameras
- USB Powered Devices
- Game and Entertainment System

#### Application Diagram



For more information please contact your local sales support at [www.onsemi.com](http://www.onsemi.com).

Created on: 8/30/2019