



ON Semiconductor®

FSA3200 — Two-Port, High-Speed USB2.0 Switch with Mobile High-Definition Link (MHL™)

Features

- Low On Capacitance: 2.7 pF / 3.1 pF MHL / USB (Typical)
- Low Power Consumption: 30µA Maximum
- Supports MHL Rev. 2.0
- MHL Data Rate: 4.68 Gbps
- V_{BUS} Powers Device with No V_{CC}
- Packaged in 16-Lead UMLP (1.8 x 2.6 mm)
- Over-Voltage Tolerance (OVT) on all USB Ports Up to 5.25 V without External Components

Applications

- Cell Phones and Digital Cameras

Description

The FSA3200 is a bi-directional, low-power, two-port, high-speed, USB2.0 and video data switch. Configured as a double-pole, double-throw (DPDT) switch for data and a single-pole, double-throw (SPDT) switch for ID; it is optimized for switching between high- or full-speed USB and Mobile Digital Video sources (MDV), including supporting the MHL™ Rev. 2.0 specification.

The FSA3200 contains special circuitry on the switch I/O pins, for applications where the V_{CC} supply is powered off ($V_{CC}=0$), that allows the device to withstand an over-voltage condition. This switch is designed to minimize current consumption even when the control voltage applied to the control pins is lower than the supply voltage (V_{CC}). This feature is especially valuable to mobile applications, such as cell phones, allowing direct interface with the general-purpose I/Os of the baseband processor. Other applications include switching and connector sharing in portable cell phones, digital cameras, and notebook computers.

Ordering Information

| Part Number | Top Mark | Operating Temperature Range | Package |
|-------------|----------|-----------------------------|---|
| FSA3200UMX | GB | -40 to +85°C | 16-Lead, Ultrathin Molded Leadless Package (UMLP), 1.8 x 2.6 mm |

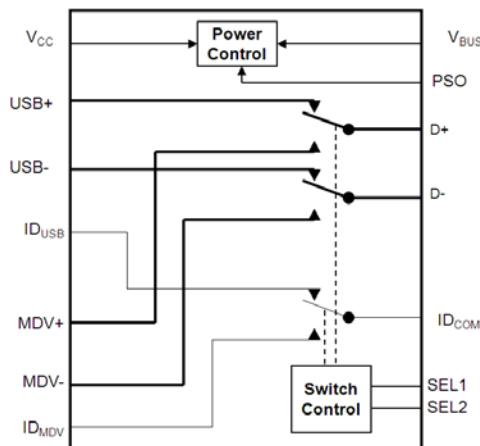


Figure 1. Analog Symbol

All trademarks are the property of their respective owners.

Switch Power Operation

In normal operation, the FSA3200 is powered from the V_{CC} pin, which typically is derived from a regulated power management device. In special circumstances, such as production test or system firmware upgrade, the device can be powered from the V_{BUS} pin. In this mode of operation, a valid V_{BUS} voltage is present (per USB2.0 specification) and $V_{CC}=0V$, typically due to a no-battery condition. With the SELn pins strapped LOW (via external resistor), the FSA3200 closes the USB path, enabling the initial programming of the system directly from the USB connector. Once the system has normal

operating supply power with V_{CC} present, the V_{BUS} supply is not utilized and normal switch operation commences. Optionally, the Power Select Override (PSO) pin can be set HIGH to force the device to be powered from V_{BUS} .

The V_{BUS} / V_{CC} detection capability is not intended to be an accurate determination of the voltages present, rather a state condition detection to determine which supply should be used. These state determinations rely on the voltage conditions as described in the Electrical Characterization tables below.

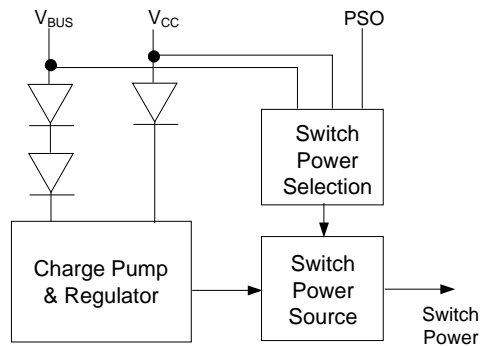


Figure 2. Simplified Logic of Switch Power Selection Circuit

Table 1. Switch Power Selection Truth Table

| V_{CC} | V_{BUS} | PSO ⁽¹⁾ | Switch Power Source |
|----------|-----------|--------------------|--------------------------------------|
| 0 | 0 | 0 | No switch power, switch paths high-Z |
| 0 | 1 | 0 | V_{BUS} |
| 1 | 0 | 0 | V_{CC} |
| 1 | 1 | 0 | V_{CC} |
| 0 | 0 | 1 | No switch power, switch paths high-Z |
| 0 | 1 | 1 | V_{BUS} |
| 1 | 0 | 1 | V_{CC} ⁽²⁾ |
| 1 | 1 | 1 | V_{BUS} |

Notes:

- Control inputs should never be left floating or unconnected. If the PSO function is used, a weak pull-up resistor (3 MΩ) should be used to minimize static current draw. If the PSO function is not used, tie directly to GND.
- PSO control is overridden with no V_{BUS} and the power selection is switched to V_{CC} .

Table 2. Data Switch Select Truth Table

| SEL1 ⁽³⁾ | SEL2 ⁽³⁾ | Function |
|---------------------|---------------------|--|
| 0 | 0 | D+/D- connected to USB+/USB-, ID _{CO} connected to ID _{USB} |
| 0 | 1 | D+/D- connected to USB+/USB-, ID _{COM} connected to ID _{MDV} |
| 1 | 0 | D+/D- connected to MDV+/MDV-, ID _{COM} connected to ID _{USB} |
| 1 | 1 | D+/D- connected to MDV+/MDV-, ID _{COM} connected to ID _{MDV} |

Note:

- Control inputs should never be left floating or unconnected. To guarantee default switch closure to the USB position, the SEL pins should be tied to GND with a weak pull-down resistor (3 MΩ) to minimize static current draw.

Pin Configuration

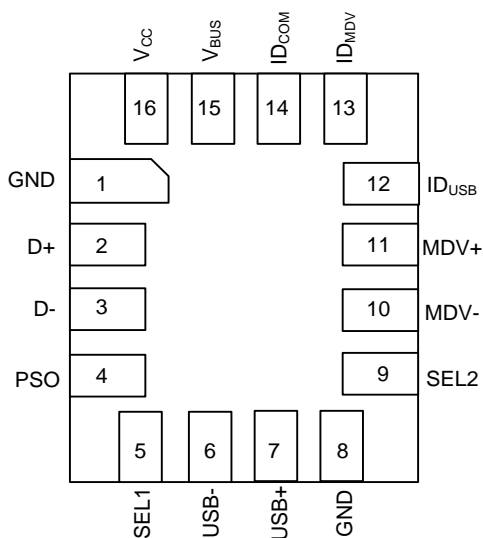


Figure 3. Pin Assignments (Top-Through View)

Pin Definitions

| Pin# | Name | Description |
|------|-------------------|---|
| 1 | GND | Ground |
| 2 | D+ | Data Switch Output (Positive) |
| 3 | D- | Data Switch Output (Negative) |
| 4 | PSO | Power Select Override |
| 5 | SEL1 | Data Switch Select |
| 6 | USB- | USB Differential Data (Negative) |
| 7 | USB+ | USB Differential Data (Positive) |
| 8 | GND | Ground |
| 9 | SEL2 | ID Switch Select |
| 10 | MDV- | MDV Differential Data (Negative) |
| 11 | MDV+ | MDV Differential Data (Positive) |
| 12 | ID _{USB} | ID Switch MUX Output for USB |
| 13 | ID _{MDV} | ID Switch MUX Output for MDV |
| 14 | ID _{COM} | ID Switch Common |
| 15 | V _{BUS} | Device Power when V _{CC} Not Available |
| 16 | V _{CC} | Device Power from System ⁽⁴⁾ |

Note:

- Device automatically switches from V_{BUS} when valid V_{CC} minimum voltage is present.

Absolute Maximum Ratings

Stresses exceeding the absolute maximum ratings may damage the device. The device may not function or be operable above the recommended operating conditions and stressing the parts to these levels is not recommended. In addition, extended exposure to stresses above the recommended operating conditions may affect device reliability. The absolute maximum ratings are stress ratings only.

| Symbol | Parameter | Min. | Max. | Unit |
|-------------------------|--|----------|----------|------|
| V_{CC}, V_{BUS} | Supply Voltage | -0.5 | 5.5 | V |
| V_{CNTRL} | DC Input Voltage (SELn, PSO) ⁽⁵⁾ | -0.5 | V_{CC} | V |
| V_{SW} ⁽⁶⁾ | DC Switch I/O Voltage ⁽⁵⁾ | -0.50 | 5.25 | V |
| I_{IK} | DC Input Diode Current | -50 | | mA |
| I_{OUT} | DC Output Current | | 100 | mA |
| T_{STG} | Storage Temperature | -65 | +150 | °C |
| MSL | Moisture Sensitivity Level (JEDEC J-STD-020A) | | 1 | |
| ESD | Human Body Model, JEDEC: JESD22-A114 | All Pins | 3.5 | kV |
| | IEC 61000-4-2, Level 4, for D+/D- and V_{CC} Pins ⁽⁷⁾ | Contact | 8.0 | |
| | IEC 61000-4-2, Level 4, for D+/D- and V_{CC} Pins ⁽⁷⁾ | Air | 15.0 | |
| | Charged Device Model, JESD22-C101 | | 2.0 | |

Notes:

- The input and output negative ratings may be exceeded if the input and output diode current ratings are observed.
- V_{SW} refers to analog data switch paths (USB, MDV, and ID).
- Testing performed in a system environment using TVS diodes.

Recommended Operating Conditions

The Recommended Operating Conditions table defines the conditions for actual device operation. Recommended operating conditions are specified to ensure optimal performance to the datasheet specifications. ON Semiconductor does not recommend exceeding them or designing to Absolute Maximum Ratings.

| Symbol | Parameter | Min. | Max. | Unit |
|---------------------|--|------|------|------------------------|
| V_{BUS} | Supply Voltage Running from V_{BUS} Voltage | 4.20 | 5.25 | V |
| V_{CC} | Supply Voltage Running from V_{CC} | 2.7 | 4.5 | V |
| $t_{RAMP}(V_{BUS})$ | Power Supply Slew Rate from V_{BUS} | 100 | 1000 | $\mu\text{s}/\text{V}$ |
| $t_{RAMP}(V_{CC})$ | Power Supply Slew Rate from V_{CC} | 100 | 1000 | $\mu\text{s}/\text{V}$ |
| Θ_{JA} | Thermal Resistance | | 336 | C°/W |
| V_{CNTRL} | Control Input Voltage (SELn, PSO) ⁽⁸⁾ | 0 | 4.5 | V |
| $V_{SW}(USB)$ | Switch I/O Voltage (USB and ID Switch Paths) | -0.5 | 3.6 | V |
| $V_{SW}(MDV)$ | Switch I/O Voltage (MDV Switch Path) | 1.65 | 3.45 | V |
| T_A | Operating Temperature | -40 | +85 | °C |

Note:

- The control inputs must be held HIGH or LOW; they must not float.

DC Electrical Characteristics

All typical value are at $T_A=25^\circ\text{C}$ unless otherw ise specified.

| Symbol | Parameter | Condition | V_{CC} (V) | $T_A=-40^\circ\text{C}$ to $+85^\circ\text{C}$ | | | Unit |
|----------------------|---|--|--------------|--|------|------|---------------|
| | | | | Min. | Typ. | Max. | |
| V_{IK} | Clamp Diode Voltage | $I_N=-18$ mA | 2.7 | | | -1.2 | V |
| V_{IH} | Control Input Voltage High | SELn, PSO | 2.7 to 4.3 | 1.25 | | | V |
| V_{IL} | Control Input Voltage Low | SELn, PSO | 2.7 to 4.3 | | | 0.6 | V |
| I_N | Control Input Leakage | $V_{SW}=0$ V to 3.6 V, $V_{CNTRL}=0$ V to 1.98 V | 4.3 | -1 | | 1 | μA |
| $I_{OZ(MDV)}$ | Off-State Leakage for Open MDV Data Paths | $V_{SW}=1.65$ V \leq MDV \leq 3.45 V | 4.3 | -1 | | 1 | μA |
| $I_{OZ(USB)}$ | Off-State Leakage for Open USB Data Paths | $V_{SW}=0$ V \leq USB \leq 3.6 V | 4.3 | -1 | | 1 | μA |
| $I_{OZ(ID)}$ | Off-State Leakage for Open ID Data Path | $V_{SW}=0$ V \leq ID \leq 3.6 V | 4.3 | -0.5 | | 0.5 | μA |
| $I_{CL(MDV)}$ | On-State Leakage for Closed MDV Data Paths ⁽⁹⁾ | $V_{SW}=1.65$ V \leq MDV \leq 3.45 V | 4.3 | -1 | | 1 | μA |
| $I_{CL(USB)}$ | On-State Leakage for Closed USB Data Paths ⁽⁹⁾ | $V_{SW}=0$ V \leq USB \leq 3.6 V | 4.3 | -1 | | 1 | μA |
| $I_{CL(ID)}$ | On-State Leakage for Closed ⁽⁹⁾ ID Data Path | $V_{SW}=0$ V \leq ID \leq 3.6 V | 4.3 | -0.5 | | 0.5 | μA |
| I_{OFF} | Power-Off Leakage Current (All I/O Ports) | $V_{SW}=0$ V or 3.6 V, Figure 5 | 0 | -1 | | 1 | μA |
| $R_{ON(USB)}$ | HS Sw itch On Resistance (USB to D Path) | $V_{SW}=0.4$ V, $I_{ON}=-8$ mA Figure 4 | 2.7 | | 3.9 | 6.5 | Ω |
| $R_{ON(MDV)}$ | HS Sw itch On Resistance (MDV to D Path) | $V_{SW}=V_{CC}-1050$ mV, $I_{ON}=-8$ mA, Figure 4 | 2.7 | | 5 | | Ω |
| $R_{ON(ID)}$ | LS Sw itch On Resistance (ID Path) | $V_{SW}=3$ V, $I_{ON}=-8$ mA Figure 4 | 2.7 | | 12 | | Ω |
| $\Delta R_{ON(MDV)}$ | Difference in R_{ON} Between MDV Positive-Negative | $V_{SW}=V_{CC}-1050$ mV, $I_{ON}=-8$ mA, Figure 4, | 2.7 | | 0.03 | | Ω |
| $\Delta R_{ON(USB)}$ | Difference in R_{ON} Between USB Positive-Negative | $V_{SW}=0.4$ V, $I_{ON}=-8$ mA Figure 4 | 2.7 | | 0.18 | | Ω |
| $\Delta R_{ON(ID)}$ | Difference in R_{ON} Between ID Sw itch Paths | $V_{SW}=3$ V, $I_{ON}=-8$ mA Figure 4 | 2.7 | | 0.4 | | Ω |
| $R_{ONF(MDV)}$ | Flatness for R_{ON} MDV Path | $V_{SW}=1.65$ V to 3.45 V, $I_{ON}=-8$ mA, Figure 4 | 2.7 | | 1 | | Ω |
| I_{BUS} | V_{BUS} Quiescent Current | $V_{BUS}=5.25$ V, $V_{CNTRL}=0$ V or 1.98 V, $I_{OUT}=0$ | 4.3 | | | 100 | μA |
| I_{CC} | V_{CC} Quiescent Current | $V_{BUS}=0$ V, $V_{CNTRL}=0$ V or 1.98 V, $I_{OUT}=0$ | 4.3 | | | 30 | μA |

Note:

9. For this test, the data sw itch is closed w ith the respective sw itch pin floating.

AC Electrical Characteristics

All typical value are for $V_{CC}=3.3\text{ V}$ and $T_A=25^\circ\text{C}$ unless otherwise specified.

| Symbol | Parameter | Condition | V _{CC} (V) | T _A =- 40°C to +85°C | | | Unit |
|-----------------------|--|--|---------------------|---------------------------------|------|------|------|
| | | | | Min. | Typ. | Max. | |
| t _{ON} | Turn-On Time, SELn to Output | R _L =50 Ω, C _L =5 pF, V _{SW(USB)} =0.8 V, V _{SW(MDV)} =3.3 V, Figure 6, Figure 7 | 2.7 to 3.6 | | 445 | 600 | ns |
| t _{OFF} | Turn-Off Time, SELn to Output | R _L =50 Ω, C _L =5 pF, V _{SW(USB)} =0.8 V, V _{SW(MDV)} =3.3 V, Figure 6, Figure 7 | 2.7 to 3.6 | | 125 | 300 | ns |
| t _{PD} | Propagation Delay ⁽¹⁰⁾ | C _L =5 pF, R _L =50 Ω, Figure 6, Figure 8 | 2.7 to 3.6 | | 0.25 | | ns |
| t _{BBM} | Break-Before-Make ⁽¹⁰⁾ | R _L =50 Ω, C _L =5 pF, V _{ID} =V _{MDV} =3.3 V, V _{USB} =0.8 V, Figure 10 | 2.7 to 3.6 | 2.0 | | 13 | ns |
| O _{IRR(MDV)} | Off Isolation ⁽¹⁰⁾ | V _S =1 V _{pk-pk} , R _L =50 Ω, f=240 MHz, Figure 12 | 2.7 to 3.6 | | -45 | | dB |
| O _{IRR(USB)} | | V _S =400m V _{pk-pk} , R _L =50Ω, f=240MHz, Figure 12 | 2.7 to 3.6 | | -38 | | dB |
| Xtalk _{MDV} | Non-Adjacent Channel ⁽¹⁰⁾ Crosstalk | V _S =1 V _{pk-pk} , R _L =50 Ω, f=240 MHz, Figure 13 | 2.7 to 3.6 | | -44 | | dB |
| Xtalk _{USB} | | V _S =400 mV _{pk-pk} , R _L =50 Ω, f=240 MHz, Figure 13 | 2.7 to 3.6 | | -39 | | dB |
| BW | Differential -3 db Bandwidth ⁽¹⁰⁾ | V _{IN} =1 V _{pk-pk} , MDV Path, R _L =50 Ω, C _L =0 pF, Figure 11, Figure 16 | 2.7 to 3.6 | | 2.34 | | GHz |
| | | V _{IN} =400 mV _{pk-pk} , USB Path, R _L =50 Ω, C _L =0 pF, Figure 11, Figure 17 | | | 1.59 | | |
| | | ID Path, R _L =50 Ω, C _L =0 pF, Figure 11 | | | 100 | | MHz |

Note:

10. Guaranteed by characterization.

USB High-Speed AC Electrical Characteristics

Typical values are at $T_A = -40^\circ\text{C}$ to $+85^\circ\text{C}$.

| Symbol | Parameter | Condition | V_{CC} (V) | Typ. | Unit |
|-------------|---|--|--------------|------|------|
| $t_{SK(P)}$ | Skew of Opposite Transitions of the Same Output ⁽¹¹⁾ | $C_L=5$ pF, $R_L=50$ Ω , Figure 9 | 3.0 to 3.6 | 3 | ps |
| t_J | Total Jitter ⁽¹¹⁾ | $R_L=50$ Ω , $C_L=5$ pf, $t_R=t_F=500$ ps (10-90%) at 480 Mbps, PN7 | 3.0 to 3.6 | 15 | ps |

Note:

11. Guaranteed by characterization.

MDV AC Electrical Characteristics

Typical values are at $T_A = -40^\circ\text{C}$ to $+85^\circ\text{C}$.

| Symbol | Parameter | Condition | V_{CC} (V) | Typ. | Unit |
|-------------|---|---|--------------|------|------|
| $t_{SK(P)}$ | Skew of Opposite Transitions of the Same Output ⁽¹²⁾ | $R_{PU}=50$ Ω to V_{CC} , $C_L=0$ pF | 3.0 to 3.6 | 3 | ps |
| t_J | Total Jitter ⁽¹²⁾ | $f=2.25$ Gbps, PN7, $R_{PU}=50$ Ω to V_{CC} , $C_L=0$ pF | 3.0 to 3.6 | 15 | ps |

Note:

12. Guaranteed by characterization.

Capacitance

Typical values are at $T_A = -40^\circ\text{C}$ to $+85^\circ\text{C}$.

| Symbol | Parameter | Condition | Typ. | Unit |
|----------------|---|--|------|------|
| C_{IN} | Control Pin Input Capacitance ⁽¹³⁾ | $V_{CC}=0$ V, $f=1$ MHz | 1.5 | pF |
| $C_{ON(USB)}$ | USB Path On Capacitance ⁽¹³⁾ | $V_{CC}=3.3$ V, $f=240$ MHz, Figure 15 | 3.1 | |
| $C_{OFF(USB)}$ | USB Path Off Capacitance ⁽¹³⁾ | $V_{CC}=3.3$ V, $f=240$ MHz, Figure 14 | 1.6 | |
| $C_{ON(MDV)}$ | MDV Path On Capacitance ⁽¹³⁾ | $V_{CC}=3.3$ V, $f=240$ MHz, Figure 15 | 2.7 | |
| $C_{OFF(MDV)}$ | MDV Path Off Capacitance ⁽¹³⁾ | $V_{CC}=3.3$ V, $f=240$ MHz, Figure 14 | 1.1 | |

Note:

13. Guaranteed by characterization.

Test Diagrams

Note:

14. HSD refers to the high-speed data USB or MDV paths.

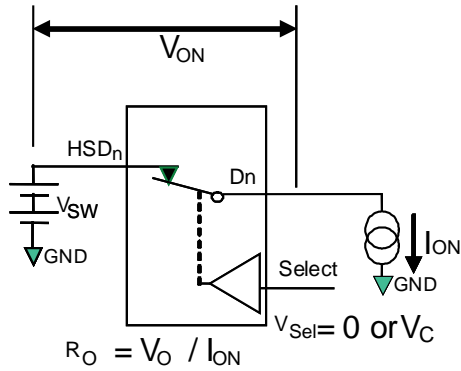
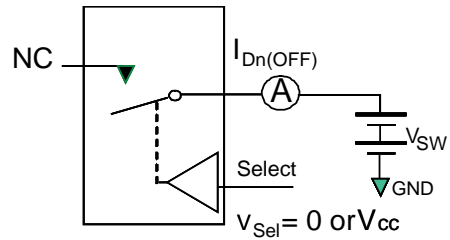


Figure 4. On Resistance



**Each switch port is tested separately

Figure 5. Off Leakage

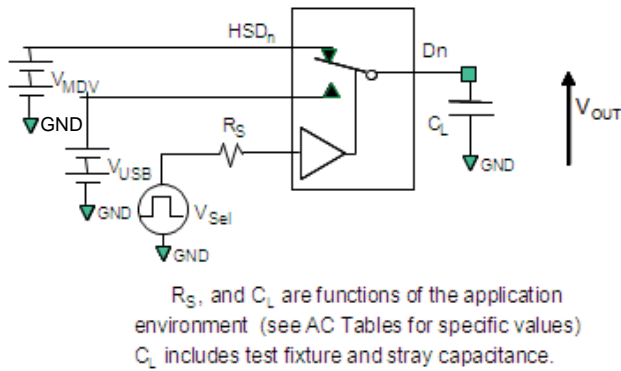


Figure 6. AC Test Circuit Load

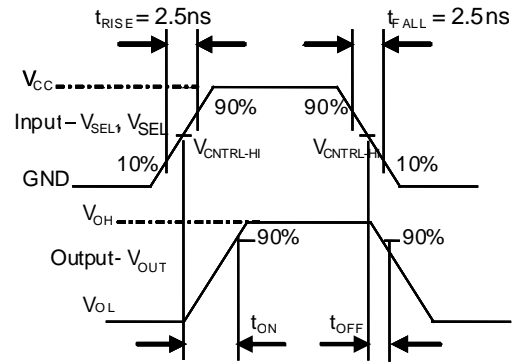


Figure 7. Turn-On / Turn-Off Waveforms

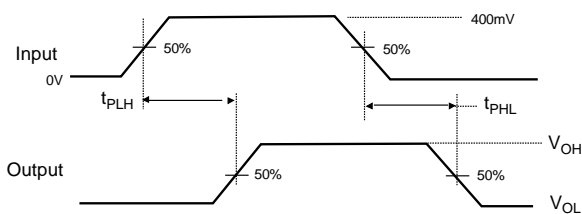


Figure 8. Propagation Delay ($t_{rtf} = 500$ ps)

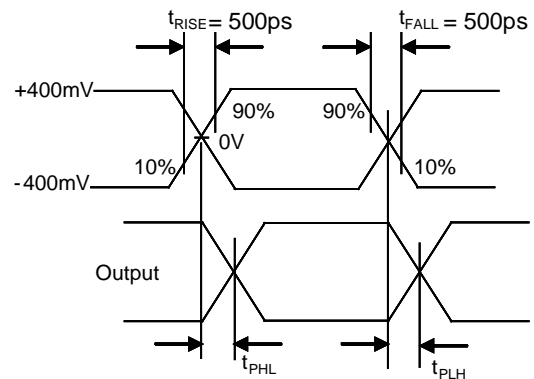
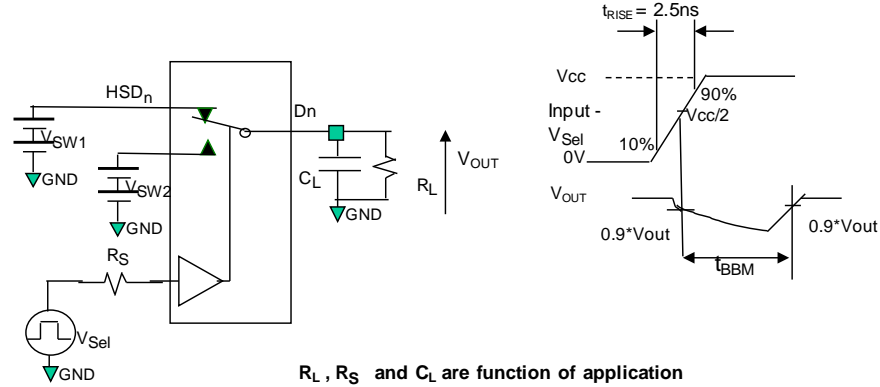


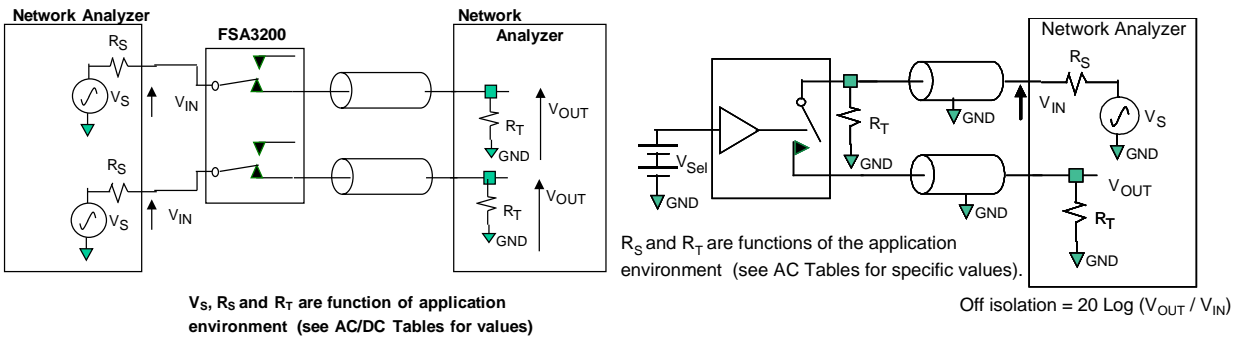
Figure 9. Intra-Pair Skew Test $t_{SK(P)}$

Test Diagrams (Continued)



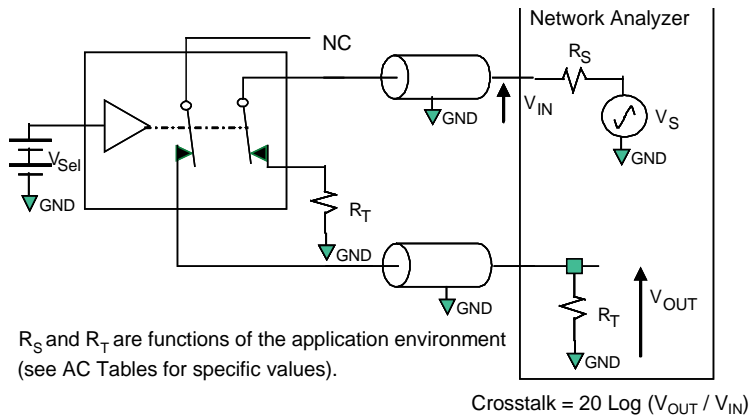
R_L , R_S and C_L are function of application environment (see AC Tables for specific values)
 C_L includes test fixture and stray capacitance

Figure 10. Break-Before-Make Interval Timing



V_S , R_S and R_T are function of application environment (see AC/DC Tables for values)
Figure 11. Insertion Loss

R_S and R_T are functions of the application environment (see AC Tables for specific values).
 Off isolation = $20 \text{ Log} (V_{OUT} / V_{IN})$
Figure 12. Channel Off Isolation



R_S and R_T are functions of the application environment (see AC Tables for specific values).
 Crosstalk = $20 \text{ Log} (V_{OUT} / V_{IN})$
Figure 13. Non-Adjacent Channel-to-Channel Crosstalk

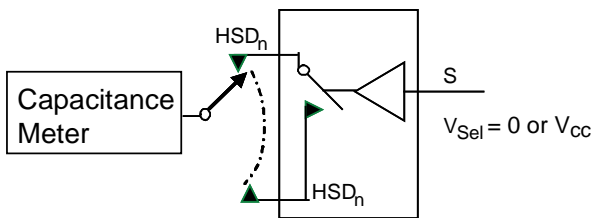


Figure 14. Channel Off Capacitance

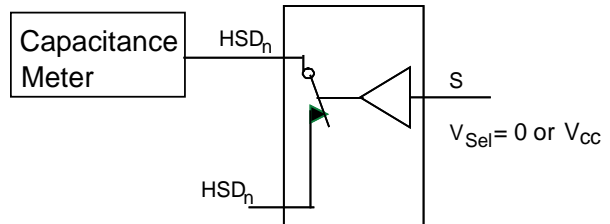


Figure 15. Channel On Capacitance

Insertion Loss

One of the key factors for using the FSA3200 in mobile digital video applications is the small amount of insertion loss experienced by the received signal as it passes through the switch. This results in minimal degradation of the received eye. One of the ways to measure the quality of the high data rate channels is using balanced

ports and 4-port differential S-parameter analysis, particularly SDD21.

Bandwidth is measured using the S-parameter SDD21 methodology. Figure 16 shows the bandwidth (GHz) for the MDV path and Figure 17 the bandwidth curve for the USB path.

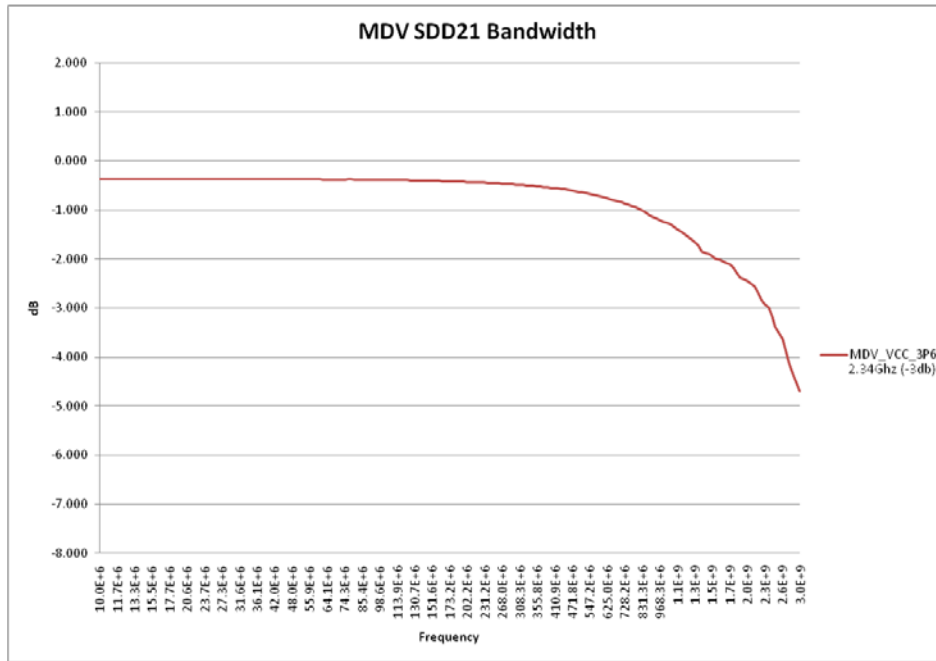


Figure 16. MDV Path SDD21 Insertion Loss Curve

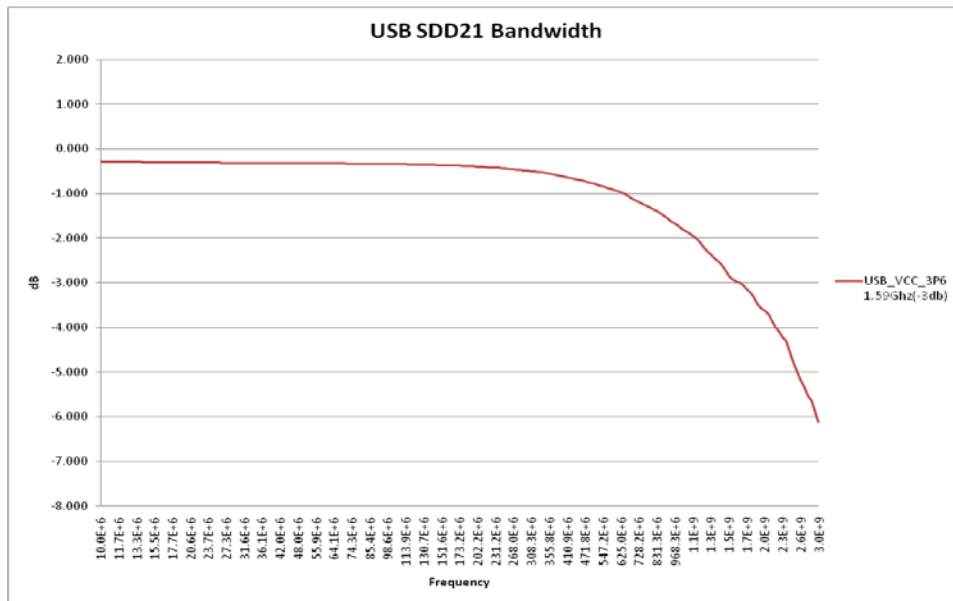


Figure 17. USB Path SDD21 Insertion Loss Curve

Typical Applications

Figure 18 shows the FSA3200 utilizing the V_{BUS} connection from the micro-USB connector. The 3M resistor is used to ensure, for manufacturing test via the micro-USB connector, that the FSA3200 configures for

connectivity through the FSA9280A accessory switch. Figure 19 shows the configuration for the FSA3200 “self powered” by the battery only.

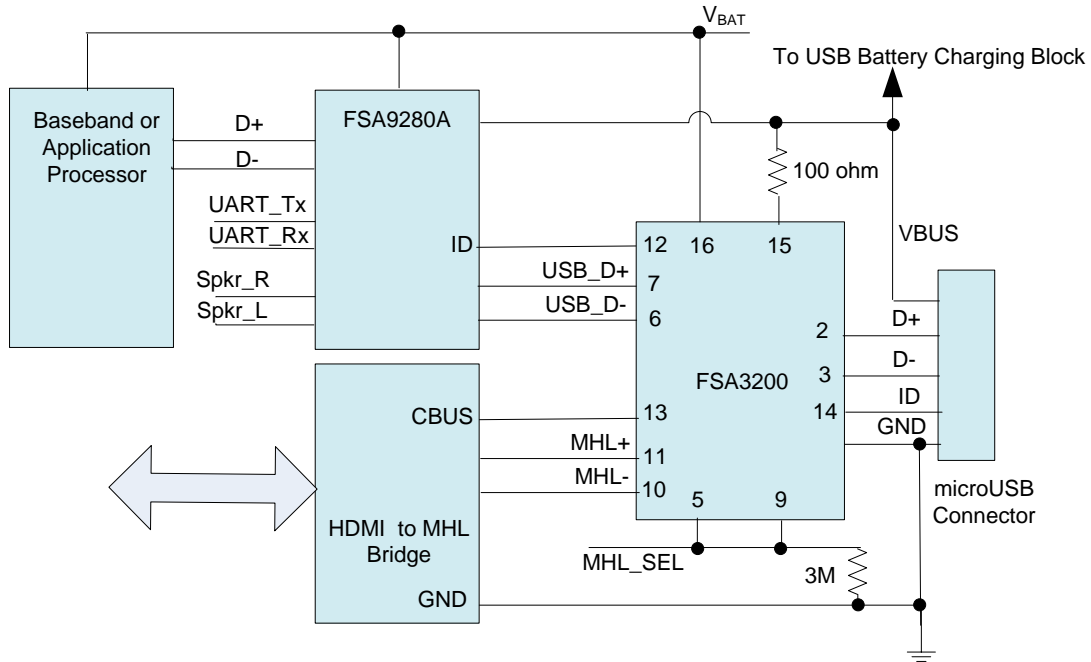


Figure 18. Typical FSA3200 Application Using V_{BUS}

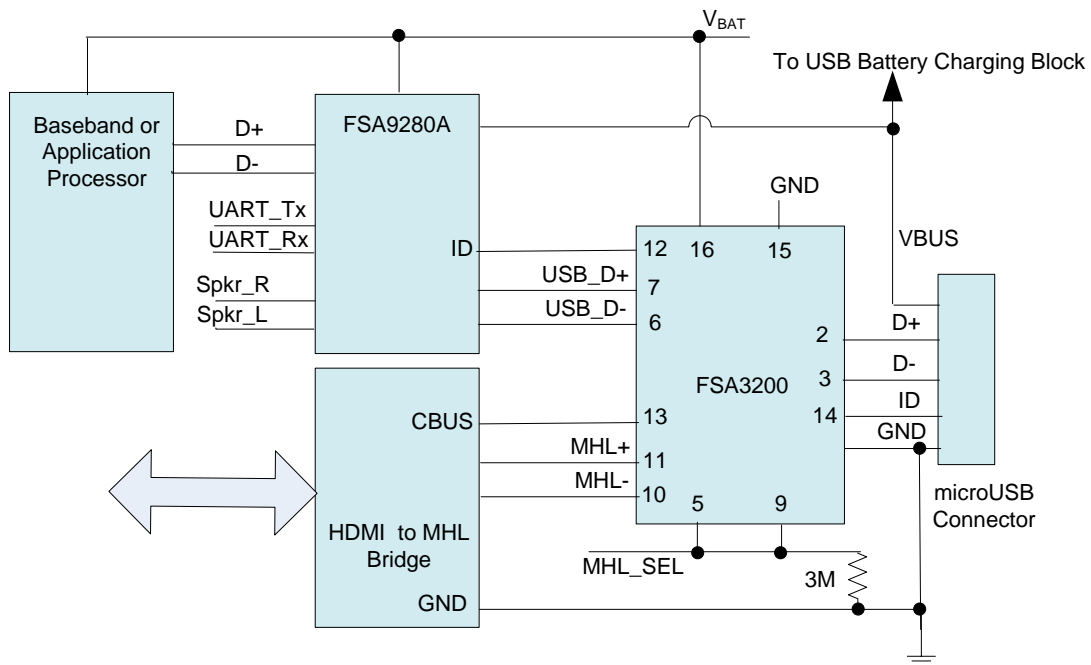


Figure 19. Typical FSA3200 “Self-Powered” Application Using V_{BAT}

Physical Dimensions

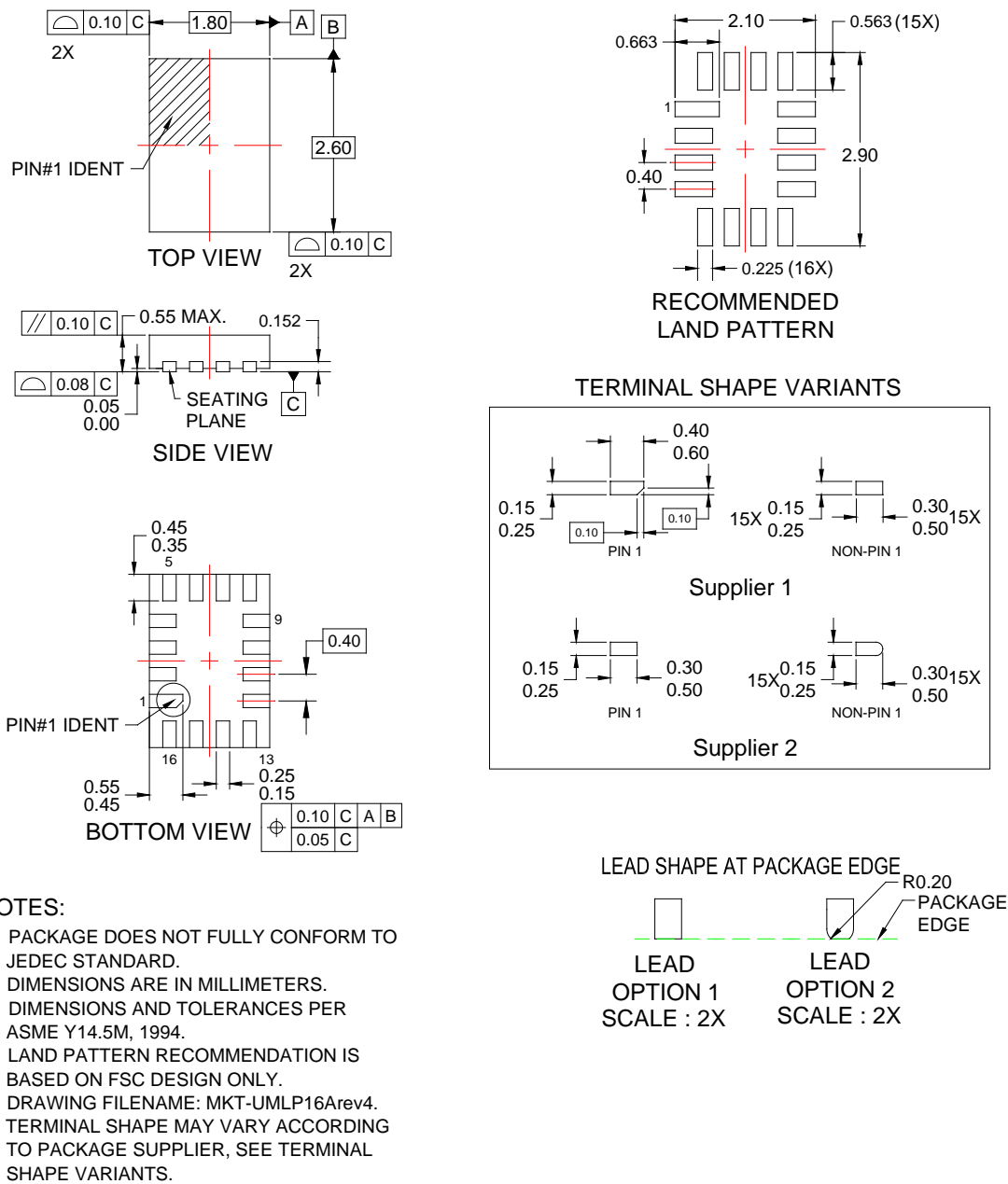


Figure 20. 16-Lead, Ultrathin Molded Leadless Package (UMLP)

Package drawings are provided as a service to customers considering ON Semiconductor components. Drawings may change in any manner without notice. Please note the revision and/or date on the drawing and contact an ON Semiconductor representative to verify or obtain the most recent revision. Package specifications do not expand the terms of ON Semiconductor's worldwide terms and conditions, specifically the warranty therein, which covers ON Semiconductor products.

ON Semiconductor and the ON Semiconductor logo are trademarks of Semiconductor Components Industries, LLC dba ON Semiconductor or its subsidiaries in the United States and/or other countries. ON Semiconductor owns the rights to a number of patents, trademarks, copyrights, trade secrets, and other intellectual property. A listing of ON Semiconductor's product/patent coverage may be accessed at www.onsemi.com/site/pdf/Patent-Marking.pdf. ON Semiconductor reserves the right to make changes without further notice to any products herein. ON Semiconductor makes no warranty, representation or guarantee regarding the suitability of its products for any particular purpose, nor does ON Semiconductor assume any liability arising out of the application or use of any product or circuit, and specifically disclaims any and all liability, including without limitation special, consequential or incidental damages. Buyer is responsible for its products and applications using ON Semiconductor products, including compliance with all laws, regulations and safety requirements or standards, regardless of any support or applications information provided by ON Semiconductor. "Typical" parameters which may be provided in ON Semiconductor data sheets and/or specifications can and do vary in different applications and actual performance may vary over time. All operating parameters, including "Typicals" must be validated for each customer application by customer's technical experts. ON Semiconductor does not convey any license under its patent rights nor the rights of others. ON Semiconductor products are not designed, intended, or authorized for use as a critical component in life support systems or any FDA Class 3 medical devices or medical devices with a same or similar classification in a foreign jurisdiction or any devices intended for implantation in the human body. Should Buyer purchase or use ON Semiconductor products for any such unintended or unauthorized application, Buyer shall indemnify and hold ON Semiconductor and its officers, employees, subsidiaries, affiliates, and distributors harmless against all claims, costs, damages, and expenses, and reasonable attorney fees arising out of, directly or indirectly, any claim of personal injury or death associated with such unintended or unauthorized use, even if such claim alleges that ON Semiconductor was negligent regarding the design or manufacture of the part. ON Semiconductor is an Equal Opportunity/Affirmative Action Employer. This literature is subject to all applicable copyright laws and is not for resale in any manner.

PUBLICATION ORDERING INFORMATION

LITERATURE FULFILLMENT:

Literature Distribution Center for ON Semiconductor
 19521 E. 32nd Pkwy, Aurora, Colorado 80011 USA
Phone: 303-675-2175 or 800-344-3860 Toll Free USA/Canada
Fax: 303-675-2176 or 800-344-3867 Toll Free USA/Canada
Email: orderlit@onsemi.com

N. American Technical Support: 800-282-9855 Toll Free
 USA/Canada.
Europe, Middle East and Africa Technical Support:
 Phone: 421 33 790 2910
Japan Customer Focus Center
 Phone: 81-3-5817-1050

ON Semiconductor Website: www.onsemi.com
Order Literature: <http://www.onsemi.com/orderlit>

For additional information, please contact your local Sales Representative