

**PO0137**  
**Product Overview**  
**PolarFire FPGA**



## Contents

---

<b>1</b>	<b>Revision History</b>	<b>1</b>
1.1	Revision 1.5	1
1.2	Revision 1.4	1
1.3	Revision 1.3	1
1.4	Revision 1.2	1
1.5	Revision 1.1	1
1.6	Revision 1.0	1
<b>2</b>	<b>Overview</b>	<b>2</b>
2.1	Summary of Features	2
2.1.1	Low-Power Features	2
2.1.2	Reliability Features	2
2.1.3	Security Features	2
2.1.4	Libero® SoC PolarFire FPGA Toolset	3
2.2	Block Diagram	3
2.3	Product Family Table	4
<b>3</b>	<b>Non-Volatile FPGA Fabric</b>	<b>5</b>
3.1	Logic Element	5
3.2	On-Chip Memory	5
3.3	LSRAM	5
3.3.1	Dual-Port Mode	6
3.3.2	Two-Port Mode	6
3.4	μSRAM	6
3.5	μPROM	7
3.6	sNVM	7
3.7	Math Block	7
<b>4</b>	<b>Clock Management</b>	<b>9</b>
4.1	DLL	9
4.2	PLL	9
4.3	Clock Network	10
4.3.1	Global Clocks	10
4.3.2	Regional Clocks	10
<b>5</b>	<b>I/Os</b>	<b>11</b>
5.1	Low-Power High-Speed Transceiver Lane	11
5.1.1	Low-Power Transceiver Lane Features	11
5.1.2	Transmitter	12
5.1.3	Receiver	12

5.1.4	Transceiver Lane Modes .....	12
5.1.5	Reference Clock .....	13
5.1.6	Quad Lane Overlay Assignments .....	14
5.2	Inputs/Outputs .....	15
5.2.1	Input Buffer Speed .....	15
5.2.2	Output Buffer Speed .....	17
5.2.3	Maximum PHY Rate for Memory Interface IP .....	19
5.3	I/O Digital .....	20
5.3.1	I/O Digital Features .....	20
5.3.2	I/O Digital Modes .....	20
<b>6</b>	<b>PCI Express .....</b>	<b>22</b>
6.1	PCI Express Features .....	23
6.2	PCI Express DMA Engines .....	23
<b>7</b>	<b>PolarFire FPGA System Controller .....</b>	<b>24</b>
7.1	System Services .....	24
<b>8</b>	<b>Debug Probe System .....</b>	<b>25</b>
<b>9</b>	<b>Programming .....</b>	<b>26</b>
9.1	Dedicated SPI Programming Port .....	26
<b>10</b>	<b>Low Power .....</b>	<b>27</b>
10.1	Non-Volatile Technology .....	27
10.2	Low-Power Transceiver Lane .....	27
10.3	Lower Power "L" Devices .....	27
<b>11</b>	<b>Reliability .....</b>	<b>28</b>
11.1	FPGA Fabric .....	28
11.2	LSRAM .....	28
11.3	μSRAM .....	28
11.4	Digests .....	28
11.5	System Controller Suspend Mode .....	28
<b>12</b>	<b>Security .....</b>	<b>30</b>
12.1	Design Security .....	30
12.1.1	Tamper Detectors .....	30
12.1.2	Tamper Responses .....	30
12.2	Data Security .....	30
<b>13</b>	<b>PolarFire FPGA Device Offerings .....</b>	<b>32</b>
<b>14</b>	<b>Ordering Information .....</b>	<b>33</b>
<b>15</b>	<b>Export Classification .....</b>	<b>34</b>

# 1 Revision History

---

The revision history describes the changes that were implemented in the document. The changes are listed by revision, starting with the most current publication.

## 1.1 Revision 1.5

Revision 1.5 was published in March of 2019. The following is a summary of changes.

- Flash\*Freeze mode was removed from the sections [I/Os \(see page 11\)](#), [Low Power \(see page 27\)](#), and [System Services \(see page 24\)](#).

## 1.2 Revision 1.4

Revision 1.4 was published in September of 2018. The following is a summary of changes.

- Flash\*Freeze mode was removed.
- Export classification was added. For more information, see section [Export Classification \(see page 34\)](#).

## 1.3 Revision 1.3

Revision 1.3 was published in June 2018. The following is a summary of changes.

- Updated the block diagram. For more information, see the [PolarFire FPGA Block Diagram \(see page 3\)](#).
- Updated sections to reflect changes in the preliminary datasheet. For more information, see section [I/Os \(see page 11\)](#) and section [Data Security \(see page 30\)](#).

## 1.4 Revision 1.2

Revision 1.2 was published in August 2017. The following is a summary of changes.

- LVDS rates were changed to a max of 1.25G. For more information, see [Differential I/O Standards](#).

## 1.5 Revision 1.1

Revision 1.1 was published in May 2017. The following is a summary of changes.

- The Product Family Table was updated. For more information, see [Product Family Table \(see page 4\)](#).
- Information about the Dedicated SPI Programming Port was updated. For more information, see [Dedicated SPI Programming Port \(see page 26\)](#).
- The PolarFire FPGA Device Offerings were updated. For more information, see [PolarFire FPGA Device Offerings \(see page 32\)](#).

## 1.6 Revision 1.0

Revision 1.0 was published in February 2017. It was the first publication of this document.

## 2 Overview

---

PolarFire™ FPGAs are the fifth-generation family of non-volatile FPGA devices from Microsemi, built on state-of-the-art 28nm non-volatile process technology. Cost-optimized PolarFire FPGAs deliver the lowest power at mid-range densities. PolarFire FPGAs lower the cost of mid-range FPGAs by integrating the industry's lowest power FPGA fabric, lowest power 12.7 Gbps transceiver lane, built-in low power dual PCI Express Gen2 (EP/RP), and, on select data security (S) devices, an integrated low-power crypto co-processor. PolarFire FPGAs can operate at 1.0 V and 1.05 V, offering the end user the ability to trade off power and performance to match the application requirements.

This document describes the features of the production PolarFire FPGA extended commercial (0 °C to 100 °C) and industrial (–40 °C to 100 °C) device offerings. Please refer to the datasheet for current silicon status and electrical characteristics.

### 2.1 Summary of Features

- Up to 481K logic elements consisting of a 4-input look-up table (LUT) with a fractureable D-type flip-flop
- 20 Kb dual- or two-port large static random access memory (LSRAM) block with built-in single error correct double error detect (SECDED)
- 64 × 12 two-port μRAM block implemented as an array of latches
- 18 × 18 math block with a pre-adder, a 48-bit accumulator, and an optional 16 deep x 18 coefficient ROM
- Built-in μPROM, modifiable at program time, readable at run time for user data storage
- High-speed serial connectivity with built-in multi-gigabit multi-protocol transceivers from 250 Mbps to 12.7 Gbps
- Integrated dual PCIe for up to ×4 Gen2 endpoint (EP) and root port (RP) designs
- High-speed I/O (HSIO) supporting up to 1600 Mbps DDR4, 1333 Mbps DDR3L, and 1333 Mbps LPDDR3/DDR3 memories with integrated I/O digital
- General purpose I/O (GPIO) supporting 3.3 V, built-in CDR for serial gigabit Ethernet, 1067 Mbps DDR3, and 1600 Mbps LVDS I/O speed with integrated I/O digital logic
- Low-power phase-locked loops (PLLs) and delay-locked loops (DLLs) for high precision and low-jitter
- 1.0 V and 1.05 V operating modes

#### 2.1.1 Low-Power Features

- Low device static power
- Low inrush current
- Low power transceivers

#### 2.1.2 Reliability Features

- FPGA configuration cells single event upset (SEU) immune
- Built-in SECDED and memory interleaving on LSRAMs
- System controller suspend mode for safety-critical designs

#### 2.1.3 Security Features

- Cryptography Research Incorporated (CRI)-patented differential power analysis (DPA) bitstream protection
- Integrated physically unclonable function (PUF)
- 56 KBytes of secure non-volatile memory (sNVM)
- Built-in tamper detectors and countermeasures
- Digest integrity check for FPGA, μPROM, and sNVM
- Data security features in S devices—true random number generator, integrated Athena TeraFire EXP5200B Crypto Coprocessor, suite B capable, and CRI DPA countermeasure pass-through license

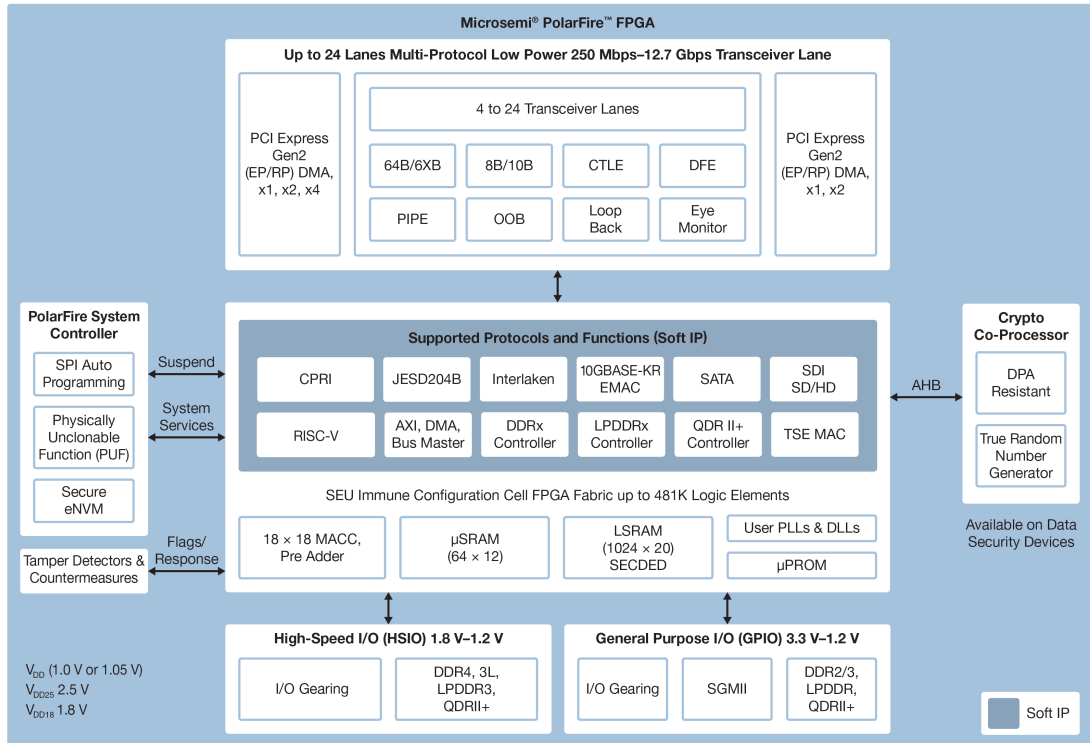
### 2.1.4 Libero® SoC PolarFire FPGA Toolset

- Complete FPGA and embedded software development environment
- Includes Synplify Pro synthesis and Mentor ModelSim ME simulation

## 2.2 Block Diagram

The following illustration shows the functional blocks of PolarFire FPGAs.

Figure 1 • PolarFire FPGA Block Diagram



## 2.3 Product Family Table

The following table lists the product overview and packaging overview of the PolarFire FPGA product family.

**Table 1 • PolarFire FPGA Product Family**

Features		MPF100T	MPF200T	MPF300T	MPF500T
FPGA fabric	K Logic elements (4 LUT + DFF)	109	192	300	481
	Math blocks (18 x 18 MACC)	336	588	924	1480
	LSRAM blocks (20 kbit)	352	616	952	1520
	μSRAM blocks (64 x 12)	1008	1764	2772	4440
	Total RAM (Mbits)	7.6	13.3	20.6	33
	μPROM (Kbits 9-bit bus)	297	297	459	513
	sNVM (K Bytes)	56	56	56	56
	User DLLs/PLLs	8	8	8	8
High-speed I/O	250 Mbps to 12.7 Gbps transceiver lanes	8	16	16	24
	PCIe Gen2 endpoints/root ports	2	2	2	2
Total I/Os	Total user I/Os	284	364	512	584
Packaging	Type/size/pitch	Total user I/Os (HSIO/GPIO), GPIO CDRs/Transceivers			
	FCSG325 0.5 mm 11 mm x 11 mm, 11 mm x 14.5 mm (MPF200T only)	170(84/86), 8/4	170(84/86), 8/4		
	FCSG536 0.5 mm 16 mm x 16 mm		300(120/180), 15/4	300(120/180), 15/4	
	FCVG484 0.8 mm 19 mm x 19 mm	284(120/164), 14/4	284(120/164), 14/4	284(120/164), 14/4	
	FCG484 1.0 mm 23 mm x 23 mm	244(96/148), 13/8	244(96/148), 13/8	244(96/148), 13/8	
	FCG784 1.0 mm 29 mm x 29 mm		364(132/232), 20/16	388(156/232), 20/16	388(156/232), 20/16
FCG1152 1.0 mm 35 mm x 35 mm			512(276/236), 24/16	584(324/260), 24/24	

### Notes:

- Devices in the same package type are pin compatible.
- TS devices contain an Athena™ TeraFire F5200B Crypto-Coprocessor.
- Extended Commercial and Industrial temperature grade devices are available in Green RoHS packages. Military temperature grade devices are available in leaded packages.

## 3 Non-Volatile FPGA Fabric

---

The non-volatile FPGA fabric is built on state-of-the-art 28nm low power non-volatile process technology. The PolarFire FPGA fabric is composed of the following building blocks:

- Logic element
- On-chip memory (LSRAM,  $\mu$ SRAM, sNVM, and  $\mu$ PROM)
- Math block

The FPGA fabric configuration cells are SEU immune, and are used to configure I/Os and other aspects of the device. Non-volatile FPGAs do not require the configuration process inherent in SRAM FPGAs. Non-volatile FPGAs power up quickly like an ASIC with minimal inrush current, and are ideal for root-of-trust first-up functionality in any system.

### 3.1 Logic Element

The 4-input LUT can be configured either to implement any 4-input combinatorial function or to implement an arithmetic function where the LUT output is XORed with a carry input to generate the sum output.

The logic element has the following features.

- A fully permutable 4-input LUT optimized for lowest power
- A dedicated carry chain based on a carry look-ahead technique
- A separate flip-flop that can be used independently from the LUT

### 3.2 On-Chip Memory

PolarFire FPGAs integrate four different types of memories that allow the designer to optimize for power, functionality, and area. Two memory types are volatile, and two memory types are non-volatile.

Volatile memories include:

- LSRAM
- $\mu$ SRAM

The LSRAMs are 20-Kbit SRAMs with a built-in SECEDED and interleaving to prevent multi-bit-upsets (MBUs). The  $\mu$ SRAMs are small distributed 64 x 12 RAMs, well suited for efficient implementation of small buffers, thereby reserving LSRAM usage for the wider and deeper memories.

Non-volatile memories (NVMs) include:

- $\mu$ PROM
- sNVM

The  $\mu$ PROM, constructed of SEU-immune FPGA configuration non-volatile cells, is readable at runtime and writable during device programming. It provides users with SEU-immune parameters, constants, IDs, and parametric or initialization data. The sNVM is accessible through system service calls. Data written to the sNVM can be protected by the PUF. The sNVM is readable and writable by the designer's application during runtime and is an ideal storage location for the boot code for soft processors and user keys.

### 3.3 LSRAM

Each LSRAM block consists of 20,480 bits of RAM and includes functionality to support dual-port and two-port modes. There are numerous configurations and features for each block. The Libero SoC PolarFire toolset has an LSRAM configurator that provides automated combining and cascading of several LSRAM blocks into larger memories.

LSRAM features include:

- 428 MHz operation



- True dual-port memory
- Two-port memory (one dedicated write port, one dedicated read port)
- Data widths of  $\times 1$ ,  $\times 2$ ,  $\times 5$ ,  $\times 10$ ,  $\times 20$ ,  $\times 40$ , and  $\times 33$  with SECDED enabled
- Multi-bit-upset mitigation
- Synchronous operation
- Independent port clocks
- Byte enables
- Registered inputs
- Output registers with separate enables and synchronous resets
- Read enables to conserve power while retaining output data
- Power switch to minimize static power when the LSRAM is not used
- Fast zeroization mode

### 3.3.1 Dual-Port Mode

In dual-port mode, the width of both ports is less than 33 and the ports are independent of each other. The write and read operations can occur independently of each other, at any location. On write collisions, while the write operations occur correctly, the read operations can return ambiguous results while the write completes. After completing the write operation, the read data reads the newly written write data correctly.

### 3.3.2 Two-Port Mode

In two-port mode, at least one port has a width of 32 or 40 (or 33 with SECDED). Port A is dedicated for reads and port B for writes.

The following illustration shows port widths in various modes.

**Figure 2 • LSRAM Dual- and Two-Port Configurations**

		Port A Width					
Port B Width	$\times 1/\times 1$	$\times 1/\times 2$	$\times 1/\times 4$	$\times 1/\times 8$	$\times 1/\times 16$	W1/R32	N/A
	$\times 2/\times 1$	$\times 2/\times 2$	$\times 2/\times 4$	$\times 2/\times 8$	$\times 2/\times 16$	W2/R32	N/A
	$\times 4/\times 1$	$\times 4/\times 2$	$\times 5/\times 5$	$\times 5/\times 10$	$\times 5/\times 20$	W5/R40	N/A
	$\times 8/\times 1$	$\times 8/\times 2$	$\times 10/\times 5$	$\times 10/\times 5$	$\times 10/\times 20$	W10/R40	N/A
	$\times 16/\times 1$	$\times 16/\times 2$	$\times 20/\times 5$	$\times 20/\times 10$	$\times 20/\times 20$	W20/R40	N/A
	W32/R1	W32/R2	W40/R5	W40/R10	W40/R20	W40/R40	N/A
	N/A	N/A	N/A	N/A	N/A	N/A	W $\times 33$ /R33

Dual Port

Two Port

Two Port SECDED

## 3.4 $\mu$ SRAM

The  $\mu$ SRAM is a two-port memory embedded in the FPGA fabric, which is provided for an efficient low-power implementation for small buffers. On write collisions, the write operations occur correctly, while the read operations can return ambiguous results while the write completes. After completing the write operation, the read data reads the newly written write data.

The following are key features of the  $\mu$ SRAM block:

- 480 MHz operation
- Two-port memory with 64 words of 12 bits
- The write port operates synchronously

- The write port has a fixed width
- The read port operates asynchronously and supports synchronous and pipeline operations with the FPGA fabric flip-flops
- The Libero SoC PolarFire toolset provides automated combining and cascading for larger memories
- Multiple memory blocks can be combined to extend the depth or width
- Provides a state-keeping, low-power suspend mode
- Implemented as an array of latches

### 3.5 **μPROM**

The μPROM is a single monolithic non-volatile memory that provides a PROM-like storage for a variety of purposes, including but not limited to: initialization data for other memories, user calibration data, and so on. The memory cells are constructed from the FPGA configuration cells and are updated when the device is programmed.

The following are key features of the μPROM:

- 10 ns read access time
- Programmed with the FPGA bitstream
- Asynchronous or synchronous read access mode from the FPGA fabric

### 3.6 **sNVM**

Each PolarFire FPGA has 56 KBytes of sNVM. The sNVM is organized into 221 pages of 236 or 252 bytes, depending on whether the data is stored as plain text or encrypted/authenticated data. It is accessible to users through system services calls to the PolarFire FPGA system controller. Pages within the sNVM can be marked as ROM during bitstream programming. The sNVM content can be used to initialize LSRAM and μSRAMs with secure data. The sNVM is only accessible through system service calls. Data written to the sNVM can be protected by the PUF.

### 3.7 **Math Block**

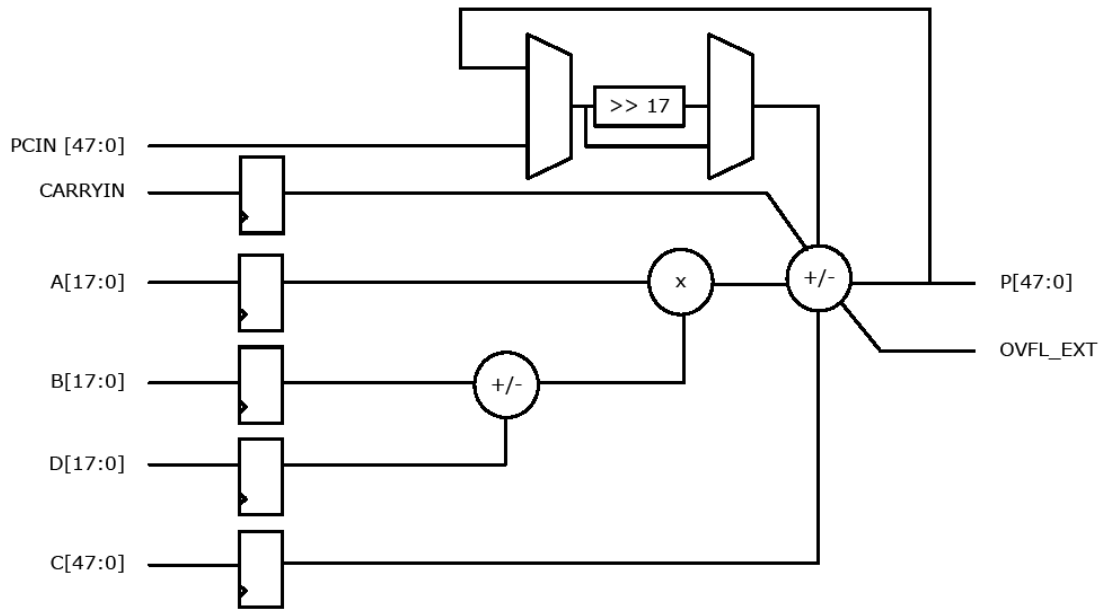
The fundamental building block in any digital signal processing algorithm is the multiply-accumulate (MACC) operation. PolarFire FPGAs implement a custom 18 x 18 MACC block for an efficient low-power implementation of complex DSP algorithms such as finite impulse response (FIR) filters, infinite impulse response (IIR) filters, and fast fourier transform (FFT) for filtering and image processing applications. An optional 16-word coefficient ROM can be constructed from logic elements located near the math block.

The following are key features of the math block functionality:

- 500 MHz operation
- 18 × 18 two's complement multiplier accumulator with an output width of 48 bits
- Power-saving pre-adder to optimize linear phase FIR filter applications and reduce the math block usage
- Optional pipelining and dedicated buses for cascading
- Dot-product mode for complex multiplies

The following illustration shows the functional blocks of the math block.

Figure 3 • Math Block



## 4 Clock Management

---

In each PolarFire FPGA, there are eight DLLs and eight PLLs to provide flexible clock generation and management capabilities. In addition to these DLLs and PLLs, up to 15 transceiver lane transmit PLLs are also available.

The following are key highlights of the clock management architecture:

- High-speed buffers and routing for low-skew clock distribution
- Frequency synthesis and phase shifting
- Low-jitter clock generation and jitter filtering

### 4.1 DLL

The DLL provides a calculated PVT compensated delay to the I/O's digital delay lines as well as delay or phase-shifted clocks to the FPGA fabric.

The following are the major modes to which the DLL can be configured.

- Time reference mode—the DLL takes a single clock as an input and determines how many delay line buffer taps are required for a signal to pass through them to rotate a signal. The main use of time reference mode is to know how many delay taps are needed to delay the clock by 90 degrees. The value is then provided to the data strobe signal (DQS)/DQSn input signals for double data rate (DDR) memory controllers to delay all DQS/DQSn signals by the required 90-degree phase shift to capture the data from the memory devices. Multiple memory interfaces of the same clock rate can reuse the same DLL with lane level controls for PVT updates.
- Clock injection delay mode—the DLL can be used to compensate for the clock injection delay associated with the source synchronous receive interfaces. The DLL can match delays for the global, regional, and high-speed bank clocks. There are two outputs from the DLL in this mode: a x1 output fixed in time and another output that can be divided by x1, x2, or x4 and can be phase shifted.

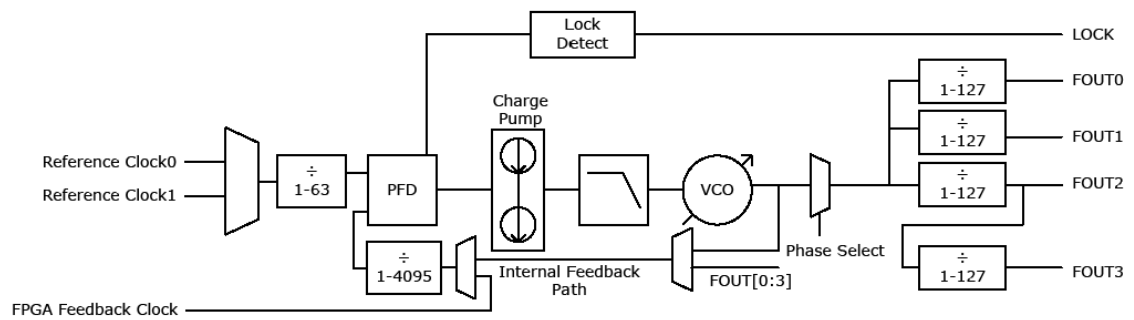
### 4.2 PLL

The programmable delta-sigma low-jitter fractional PLLs are multi-function and general purpose frequency synthesizers, as shown in the following illustration. Wide input and output ranges along with the best-in-class jitter performance allow these PLLs to be used for almost any clocking application. With excellent supply noise immunity, the PLL is ideal for use in noisy FPGA environments.

- The PLL output clock is available in eight phases with 45-degree phase differences. All eight phases are selectable to drive four separate outputs from the PLL, where each output can select any of the eight phases independent of other output selections and that each output can also be driven to a zero output when not used.
- Each of the four outputs from the PLL can then be divided independently for any value from 1 to 127. Each of the PLL outputs can have the output divider released by up to seven VCO/4 cycles. The delayed outputs can be set independently for each output clock.
- Fractional-N (24-bit accuracy) capability is added to the feedback divider to have the VCO frequency be a non-integer divide of the reference clock input frequency. The base frequency is applied to all PLL outputs.
- The PLL supports glitch-free start and stop on any one of the four outputs independently by either a register map or a fabric control. This capability also allows the output divider values and the VCO/4 phase selection to be modified glitch-free during the time that the clock is stopped.
- For fine granularity phase control of the PLLs, they can be cascaded with DLLs located near the PLLs, whereby the DLL delay lines can be used in a process, voltage, and temperature (PVT) compensated or non-PVT compensated mode to provide the phase control needed.

The following illustration shows the flow of the PLL functionality.

Figure 4 • PLL Block Diagram



## 4.3 Clock Network

The clock network is designed to route clocks and asynchronous reset signals to large sections of the fabric with limited skew. On occasion, the network can also be used for other high fanout signals that can tolerate long delays, such as non-timing-critical synchronous enables or resets. There are two main clock networks for the FPGA fabric, global and regional clocks.

### 4.3.1 Global Clocks

There are 24 clocks on the device with global low skew scope to all synchronous elements. The global can be divided into left and right sides of the device. Thus, the number of globals can increase to 48 total clocks with 24 in the left and 24 in the right.

### 4.3.2 Regional Clocks

There are up to 38 regional clock domains that interface to the edges of the device. The regional clocks provide a fixed number of logic elements based on the size of the device. Up to 14 clocks are available for the FPGA I/Os and up to 24 clocks for the transceiver lanes, one for each lane direction. These are the fast insertion clock networks used to move data in and out of the fabric.

## 5 I/Os

PolarFire device user I/Os support multiple I/O standards while providing the high bandwidth needed to maximize the internal logic capabilities of the device and achieve the required system-level performance.

### 5.1 Low-Power High-Speed Transceiver Lane

All PolarFire FPGAs contain state-of-the-art low-power transceiver lane capabilities from speeds as low as 250 Mbps up to 12.7 Gbps. The PMA is designed to support multiple protocols (as listed in the following table) with state-of-the-art control and debug features. PCI Express Gen1 or Gen2 support is provided by a hard macro. All other protocols are implemented with a soft IP. Serial Gigabit Ethernet is also supported with GPIO 3.3 V LVDS differential pairs. A single transmit PLL can provide a high-speed clock up to four transceiver lanes.

**Table 2 • Transceiver Lane Protocol Support**

Protocol	Data Rate (Gbps)	Channels Bonded
PCIe	2.5, 5	1, 2, 4
Interlaken	6.375, 12.7	1–16
10GBASE-R/KR	10.3125–12.7	1
SGMII/QSGMII	1.25–5	1
XAUI	3.125	4
RXAUI	6.25	2, 3, 4, 6
HiGig/HiGig+/HiGiGII	3.75–4.065	4
CPRI	0.6144–12.165	1
Fiber channel	0.6144–12.165	1
SRIO	1.25–6.3	1, 2, 4, 8
SATA	1.5–6	1
JESD204B	0.5–12.5	1–4
Display port	2, 5, 8	4
SDI	0.277–11.88	1

#### 5.1.1 Low-Power Transceiver Lane Features

The following are low-power transceiver lane features:

- Advanced low-power modes
- Programmable transmit amplitude and emphasis control
- Low-speed CDR operation with support for 270 Mbps SMPTE serial line rates
- Continuous time linear equalization (CTLE) and decision feedback equalization (DFE) for long-reach or backplane applications
- Auto-adaption at receiver equalization and integrated eye monitor feature for easy serial link tuning
- Eye monitor and/or equalization can be powered down to reduce power if not needed
- Out-of-band, electrical idle signaling capability for SAS, SATA, and PCIe
- Multiple loopback modes for test and debug
- Transmit jitter attenuation for loop timing applications (SyncE compatible)
- Hot-socketing capable
- IEEE 1149.6 AC JTAG
- Adjacent channel loopback modes allow transceiver lane data streams to remain active during FPGA fabric programming

## 5.1.2 Transmitter

The transmitter is fundamentally a parallel-to-serial converter with a conversion ratio of 8, 10, 16, 20, 32, 40, 64, or 80 bits. It allows the designer to trade-off data path width for timing margin in high-performance designs. These transmitter outputs drive the PC board with a differential output signal. TX\_CLK is the appropriately divided serial data clock available to the fabric, and can be used directly to register the parallel data coming from the internal logic. The transmit parallel data has additional hardware support for the 8b/10b, 64b/66b, or 64b/67b encoding schemes to provide a sufficient number of transitions. The bit-serial output signal drives two package pins with differential signals. The output signal pair supports a wide variety of serial protocols and has programmable signal swing as well as programmable pre- and post-emphasis to compensate for PC board losses and other interconnect characteristics. For shorter channels, the swing can be reduced to lower power consumption. Each transmit lane can be sourced by one of two transmit PLLs. Each transmit PLL can drive up to four transceiver lanes. Transmitter PLLs are state-of-the-art fractional frequency synthesizers with integrated jitter attenuation.

## 5.1.3 Receiver

The receiver is fundamentally a serial-to-parallel converter with clock recovery changing the incoming bit-serial differential signal into a parallel stream of words of 8, 10, 16, 20, 32, 40, 64, or 80 bits. This allows the FPGA designer to trade off the internal data path width versus logic timing margin. The receiver takes the incoming differential data stream, feeds it through programmable linear and decision feedback equalizers (to compensate for PC board and other interconnect characteristics), and uses the reference clock input to initiate clock recognition. The data pattern uses non-return-to-zero (NRZ) encoding and optionally guarantees sufficient data transitions by using the selected encoding scheme. The outgoing parallel data has additional hardware support for the 8b/10b, 64b/66b, or 64b/67b encoding schemes to provide a sufficient number of transitions. Parallel data is transferred into the FPGA logic using the recovered clock (RX\_CLK).

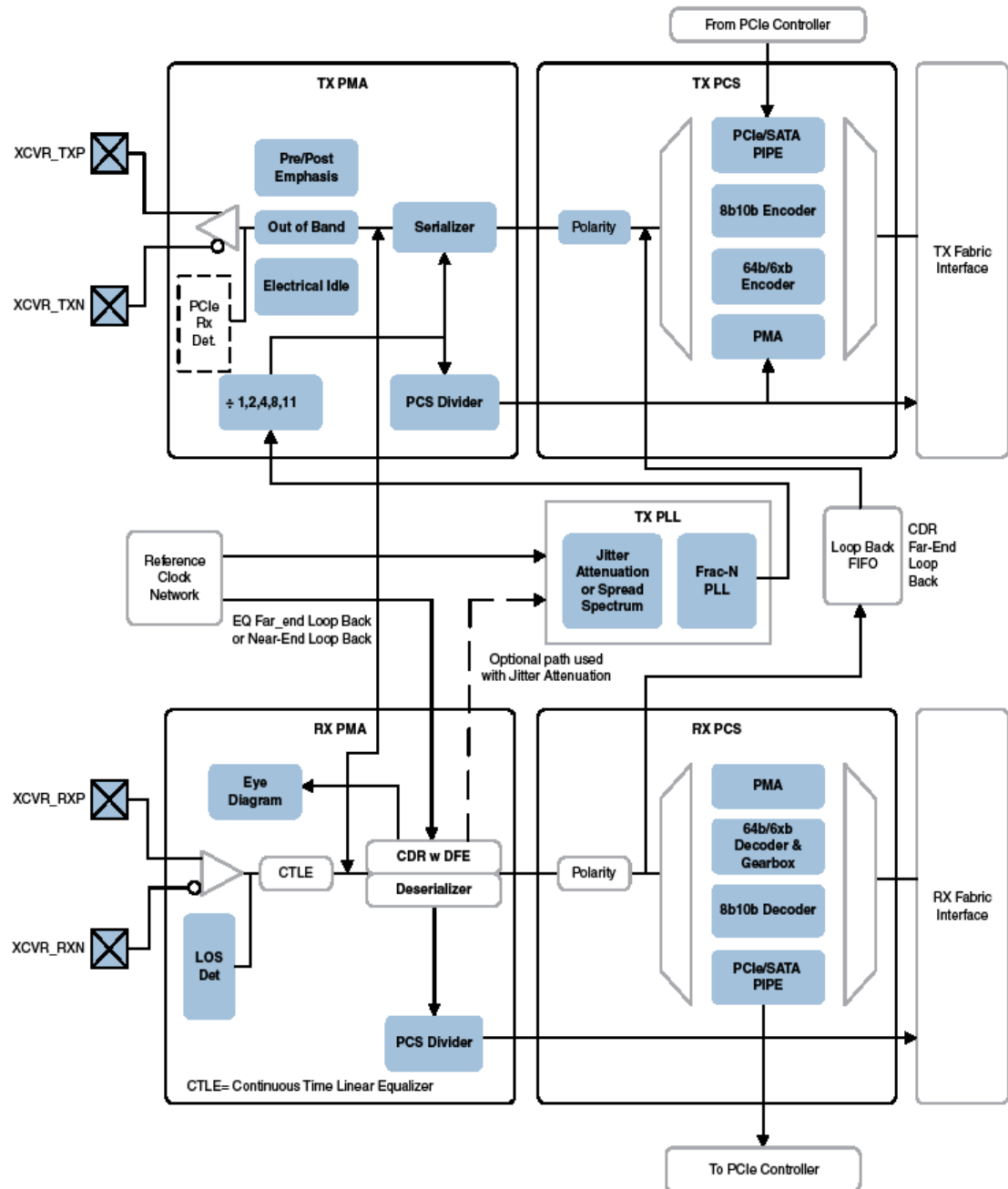
## 5.1.4 Transceiver Lane Modes

The transceiver lane supports five different modes of operations:

- PMA—direct access to the PMA without any encoding
- 8b/10b—8b/10b encoding/decoding is provided
- 64b/6xb—64b/66b or 64b/67b encoding/decoding with gearbox logic is provided
- PIPE—a PIPE interface supporting both PCIe Gen2 and SATA 3.0
- PCIe—direct connection to the embedded PCIe Gen2 controller

The following illustration shows the collaboration of five modes that transceiver lanes support.

Figure 5 • Transceiver Lane Modes



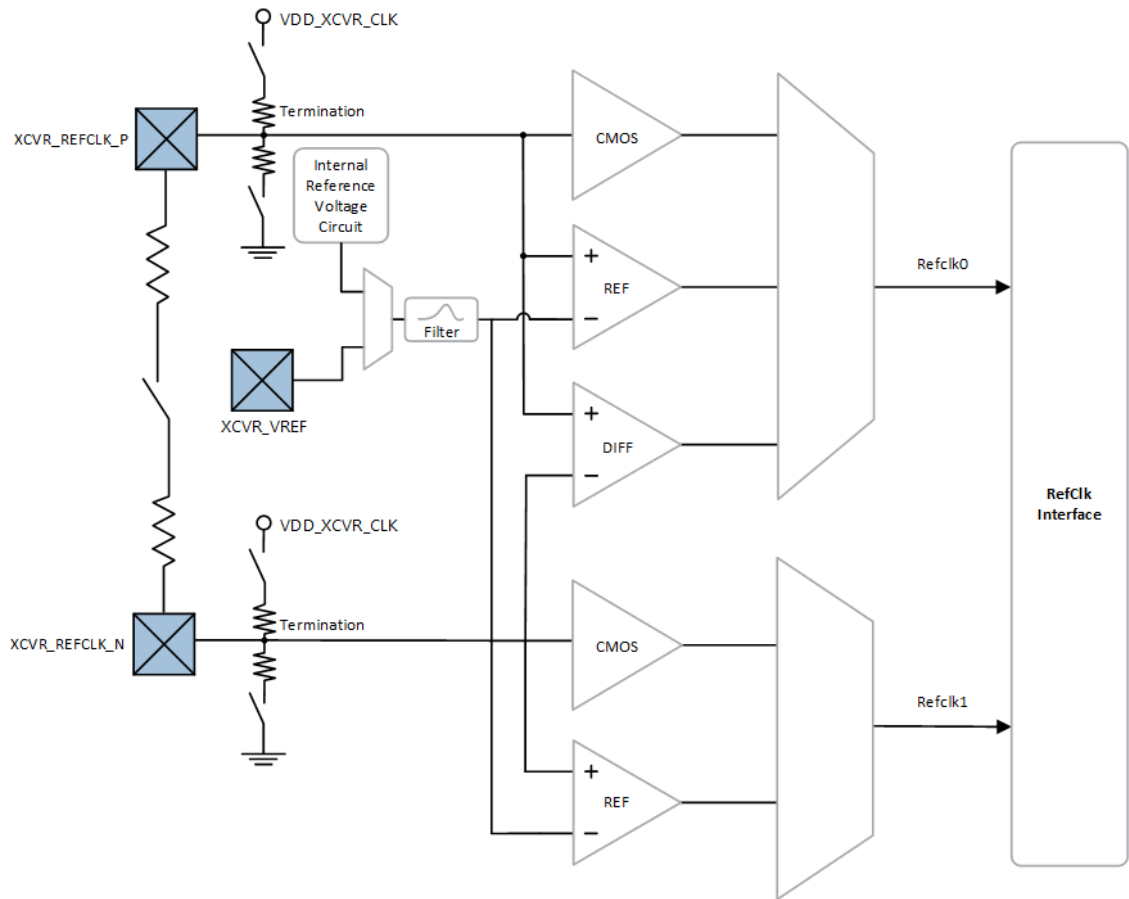
### 5.1.5 Reference Clock

The reference clock pins allow connections directly with the transceiver lane quads. The reference clock inputs provide flexibility to interface with both single-ended and differential clocks, and can drive up to two independent clocks per transceiver lane quad. These reference clocks can also be sources for the global and regional clock networks in the FPGA fabric of the device.

The following illustration shows the connectivity between the reference clock and transceiver lane quads.



**Figure 6 • Reference Clock**



### 5.1.6 Quad Lane Overlay Assignments

The transceiver lane either connects the parallel side of the interface to the PCIe Gen2 controller or to the fabric. The PCIe connections are fixed in the hardware and have a dedicated number of combinations between the two controllers. The fabric interface is used to support the PMA, 8b/10b, 64b/6xb, and PIPE modes and have complete flexibility into the fabric connections.

The following table lists the combinations between the PCIe and fabric controllers.

**Table 3 • Quad0 Lane Assignments**

PCIe_0 Controller	Quad0 Lane 0	Quad0 Lane 1	Quad0 Lane 2	Quad0 Lane 3	PCIe_1 Controller
x1	PCIe_0	Not available	Not available	PCIe_1	x1
x1	PCIe_0	Unused	PCIe_1	PCIe_1	x2
x2	PCIe_0	PCIe_0	Not available	PCIe_1	x1
x2	PCIe_0	PCIe_0	PCIe_1	PCIe_1	x2
x4	PCIe_0	PCIe_0	PCIe_0	PCIe_0	Unused
x1	PCIe_0	Not available	Fabric	Fabric	Unused
x2	PCIe_0	PCIe_0	Fabric	Fabric	Unused

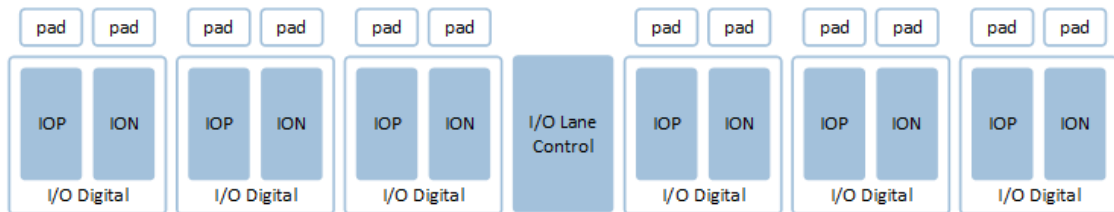
PCIe_0 Controller	Quad0 Lane 0	Quad0 Lane 1	Quad0 Lane 2	Quad0 Lane 3	PCIe_1 Controller
Unused	Fabric	Fabric	Not available	PCIe_1	x1
Unused	Fabric	Fabric	PCIe_1	PCIe_1	x2
Unused	Fabric	Fabric	Fabric	Fabric	Unused

**Note:** Fabric includes PMA, 8b/10b, 64b/66b, 64b/67b, and PIPE modes.

## 5.2 Inputs/Outputs

PolarFire FPGA I/Os are grouped into pairs to meet the differential I/O standards. Additionally, they are grouped in lanes of 12 buffers with a lane controller for memory interfaces, as shown in the following illustration.

**Figure 7 • I/O Topology**



The number of I/O pins varies depending on the device and package size. The persistent I/O feature preserves a state on an I/O without user intervention during programming mode. The PolarFire FPGA I/O buffers are constructed from the following main sub modules.

- Transmit buffer (PVT compensated)
- Receive buffer
- Termination (Thevenin, Differential, Up, and Down)
- Weak pull mode logic (Up, Down, and Bus-Hold)

Each I/O is configurable and can comply with a large number of I/O standards. There two types of user I/Os in PolarFire FPGAs:

- High-speed I/O (HSIO) optimized for DDR4 memories at speeds up to 1.6 Gbps and a maximum voltage of 1.8 V nominal
- GPIO capable of supporting multiple standards including 3.3 V with an integrated CDR to support SGMII Ethernet applications

### 5.2.1 Input Buffer Speed

The following tables provide information about input buffer speed.

**Table 4 • HSIO Maximum Input Buffer Speed**

Standard	STD	-1	Unit
LVDS18	1250	1250	Mbps
RSDS18	800	800	Mbps
MINILVDS18	800	800	Mbps
SUBLVDS18	800	800	Mbps
PPDS18	800	800	Mbps
SLVS18	800	800	Mbps
SSTL18I	800	1066	Mbps

Standard	STD	-1	Unit
SSTL18II	800	1066	Mbps
SSTL15I	1066	1333	Mbps
SSTL15II	1066	1333	Mbps
SSTL135I	1066	1333	Mbps
SSTL135II	1066	1333	Mbps
HSTL15I	900	1100	Mbps
HSTL15II	900	1100	Mbps
HSTL135I	1066	1066	Mbps
HSTL135II	1066	1066	Mbps
HSUL18I	400	400	Mbps
HSUL18II	400	400	Mbps
HSUL12	1066	1333	Mbps
HSTL12	1066	1266	Mbps
POD12I	1333	1600	Mbps
POD12II	1333	1600	Mbps
LVC MOS18 (12 mA)	500	500	Mbps
LVC MOS15 (10 mA)	500	500	Mbps
LVC MOS12 (8 mA)	300	300	Mbps

1. Performance is achieved with VID  $\geq$  200 mV.

**Table 5 • GPIO Maximum Input Buffer Speed**

Standard	STD	-1	Unit
LVDS25/LVDS33/LCMDS25/LCMDS33	1250	1600	Mbps
RSDS25/RSDS33	800	800	Mbps
MINILVDS25/MINILVDS33	800	800	Mbps
SUBLVDS25/SUBLVDS33	800	800	Mbps
PPDS25/PPDS33	800	800	Mbps
SLVS25/SLVS33	800	800	Mbps
SLVSE15	800	800	Mbps
HC SL25/HC SL33	800	800	Mbps
BUSLVDS25	800	800	Mbps
MLVDSE25	800	800	Mbps
LVPECL33	800	800	Mbps
SSTL25I	800	800	Mbps
SSTL25II	800	800	Mbps
SSTL18I	800	800	Mbps
SSTL18II	800	800	Mbps
SSTL15I	800	1066	Mbps
SSTL15II	800	1066	Mbps
HSTL15I	800	900	Mbps
HSTL15II	800	900	Mbps
HSUL18I	400	400	Mbps

Standard	STD	-1	Unit
HSUL18II	400	400	Mbps
PCI	500	500	Mbps
LVTTTL33 (20 mA)	500	500	Mbps
LVC MOS33 (20 mA)	500	500	Mbps
LVC MOS25 (16 mA)	500	500	Mbps
LVC MOS18 (12 mA)	500	500	Mbps
LVC MOS15 (10 mA)	500	500	Mbps
LVC MOS12 (8 mA)	300	300	Mbps
MIPI25/MIPI33	800	800	Mbps

1. All SSTLD/HSTLD/HSULD/LVSTLD/POD type receivers use the LVDS differential receiver.
2. Performance is achieved with VID  $\geq$  200 mV.

## 5.2.2 Output Buffer Speed

**Table 6 • HSIO Maximum Output Buffer Speed**

Standard	STD	-1	Unit
SSTL18I	800	1066	Mbps
SSTL18II	800	1066	Mbps
SSTL18I (differential)	800	1066	Mbps
SSTL18II (differential)	800	1066	Mbps
SSTL15I	1066	1333	Mbps
SSTL15II	1066	1333	Mbps
SSTL15I (differential)	1066	1333	Mbps
SSTL15II (differential)	1066	1333	Mbps
SSTL135I	1066	1333	Mbps
SSTL135II	1066	1333	Mbps
SSTL135I (differential)	1066	1333	Mbps
SSTL135II (differential)	1066	1333	Mbps
HSTL15I	900	1100	Mbps
HSTL15II	900	1100	Mbps
HSTL15I (differential)	900	1100	Mbps
HSTL15II (differential)	900	1100	Mbps
HSTL135I	1066	1066	Mbps
HSTL135II	1066	1066	Mbps
HSTL135I (differential)	1066	1066	Mbps
HSTL135II (differential)	1066	1066	Mbps
HSUL18I	400	400	Mbps
HSUL18II	400	400	Mbps
HSUL18II (differential)	400	400	Mbps
HSUL12	1066	1333	Mbps
HSUL12I (differential)	1066	1333	Mbps
HSTL12	1066	1266	Mbps

Standard	STD	-1	Unit
HSTL12I (differential)	1066	1266	Mbps
POD12I	1333	1600	Mbps
POD12II	1333	1600	Mbps
LVC MOS18 (12 mA)	500	500	Mbps
LVC MOS15 (10 mA)	500	500	Mbps
LVC MOS12 (8 mA)	250	300	Mbps

**Table 7 • GPIO Maximum Output Buffer Speed**

Standard	STD	-1	Unit
LVDS25/LCMDS25	1250	1250	Mbps
LVDS33/LCMDS33	1250	1600	Mbps
RSDS25	800	800	Mbps
MINILVDS25	800	800	Mbps
SUBLVDS25	800	800	Mbps
PPDS25	800	800	Mbps
SLVSE15	500	500	Mbps
BUSLVDS25	500	500	Mbps
MLVDS25	500	500	Mbps
LVPECLE33	500	500	Mbps
SSTL25I	800	800	Mbps
SSTL25II	800	800	Mbps
SSTL25I (differential)	800	800	Mbps
SSTL25II (differential)	800	800	Mbps
SSTL18I	800	800	Mbps
SSTL18II	800	800	Mbps
SSTL18I (differential)	800	800	Mbps
SSTL18II (differential)	800	800	Mbps
SSTL15I	800	1066	Mbps
SSTL15II	800	1066	Mbps
SSTL15I (differential)	800	1066	Mbps
SSTL15II (differential)	800	1066	Mbps
HSTL15I	900	900	Mbps
HSTL15II	900	900	Mbps
HSTL15I (differential)	900	900	Mbps
HSTL15II (differential)	900	900	Mbps
HSUL18I	400	400	Mbps
HSUL18II	400	400	Mbps
HSUL18I (differential)	400	400	Mbps
HSUL18II (differential)	400	400	Mbps
PCI	500	500	Mbps
LVTTTL33 (20 mA)	500	500	Mbps
LVC MOS33 (20 mA)	500	500	Mbps

Standard	STD	-1	Unit
LVC MOS25 (16 mA)	500	500	Mbps
LVC MOS18 (12 mA)	500	500	Mbps
LVC MOS15 (10 mA)	500	500	Mbps
LVC MOS12 (8 mA)	250	300	Mbps
MIPIE25	500	500	Mbps

### 5.2.3 Maximum PHY Rate for Memory Interface IP

The following tables provide information about the maximum PHY rate for memory interface IP.

**Table 8 • Maximum PHY Rate for Memory Interfaces IP for HSIO Banks**

Memory Standard	Gearing Ratio	V <sub>DDAUX</sub>	V <sub>DDI</sub>	STD (Mbps)	-1 (Mbps)	Fabric STD (MHz)	Fabric -1 (MHz)
DDR4 <sup>1</sup>	8:1	1.8 V	1.2 V	1333	1600	167	200
DDR3	8:1	1.8 V	1.5 V	1067	1333	133	167
DDR3L	8:1	1.8 V	1.35 V	1067	1333	133	167
LPDDR3	8:1	1.8 V	1.2 V	1067	1333	133	167
QDR II+	8:1	1.8 V	1.5 V	900	1100	112.5	137.5
RLDRAM3 <sup>2</sup>	8:1	1.8 V	1.35 V	1067	1067	133	133
RLDRAM3 <sup>2</sup>	4:1	1.8 V	1.35 V	667	800	167	200
RLDRAM3 <sup>2</sup>	2:1	1.8 V	1.35 V	333	400	167	200
RLDRAM2 <sup>2</sup>	8:1	1.8 V	1.8 V	800	1067	100	133
RLDRAM2 <sup>2</sup>	4:1	1.8 V	1.8 V	667	800	167	200
RLDRAM2 <sup>2</sup>	2:1	1.8 V	1.8 V	333	400	167	200

1. Table represents DDR4 in the FC1152 package for all data widths without ECC and CRC enabled. DDR4 in the FCG484 and FCVG484 packages are limited to 16-bit interfaces for 1600 Mbps support.
2. RLDRAM2 and RLDRAM3 are not supported with a soft IP controller currently.

**Table 9 • Maximum PHY Rate for Memory Interfaces IP for GPIO Banks**

Memory Standard	Gearing Ratio	V <sub>DDAUX</sub>	V <sub>DDI</sub>	STD (Mbps)	-1 (Mbps)	Fabric STD (MHz)	Fabric -1 (MHz)
DDR3	8:1	2.5 V	1.5 V	800	1067	100	133
QDR II+	8:1	2.5 V	1.5 V	900	900	113	113
RLDRAM2 <sup>1</sup>	4:1	2.5 V	1.8 V	800	800	200	200
RLDRAM2 <sup>1</sup>	2:1	2.5 V	1.8 V	400	400	200	200

1. RLDRAM2 is currently not supported with a soft IP controller.

The following table lists the GPIO LVTTTL or LVC MOS receivers that are also designed to support a limited mixed mode of operation to provide greater board I/O design flexibility. For example, if VDDIO is set to 3.3 V, the I/O receivers can operate at the lower voltage of JEDEC standards.

**Table 10 • GPIO Mixed Receiver Mode Operation Capability**

VDDIO (V)	LVC MOS33	LVC MOS25	LVC MOS18	LVC MOS15	LVC MOS12
3.3	Yes	Yes	Yes	Not available	Yes
2.5	Yes	Yes	Yes	Yes	Yes
1.8	Yes	Yes	Yes	Yes	Yes
1.5	Yes	Yes	Yes	Yes	Yes
1.2	Yes	Yes	Not available	Yes	Yes

The following table lists the HSIO mixed receiver mode capability.

**Table 11 • HSIO Mixed Receiver Mode Capability**

VDDIO (V)	LVC MOS18	LVC MOS15	LVC MOS12
1.8	Yes	Yes	Yes
1.5	Yes	Yes	Yes
1.2	Not available	Yes	Yes

## 5.3 I/O Digital

The PolarFire FPGA I/O digital logic is used to interface between the FPGA fabric and the I/O buffers. It interfaces between the high-speed I/O buffers and lower-speed FPGA fabric. The I/O digital block consists of the following:

- A delay chain, for input or output delay
- Registers and control logic for input modes and output modes

The I/O digital registers can be configured for both input and output DDR and shift register modes and combined DDR-shift register modes. It allows gearing up the output data rate and gearing down the input data rate. The PolarFire FPGA I/O digital logic works in conjunction with fast and low-skew clock distributions that are optimized for DDR applications, special clock dividers, and other support circuits to guarantee clock domain crossings.

### 5.3.1 I/O Digital Features

The following are the I/O digital features:

- Programmable input and/or output delay chain
- Data eye monitor for detecting margin to clock edges
- Data eye position optimizer
- Up to 10:1 input deserialization
- Up to 10:1 output serialization
- Support for DDR and SDR interfaces
- Receive slip control to facilitate word alignment
- Fast and low-skew lane clocks per 12 I/Os
- Clock recovery for SGMII and similar interfaces (one per 12 I/Os)

### 5.3.2 I/O Digital Modes

The following table lists the associated memory interface, I/O data rate, FPGA clock rate, and its applications.

**Table 12 • I/O Digital Modes**

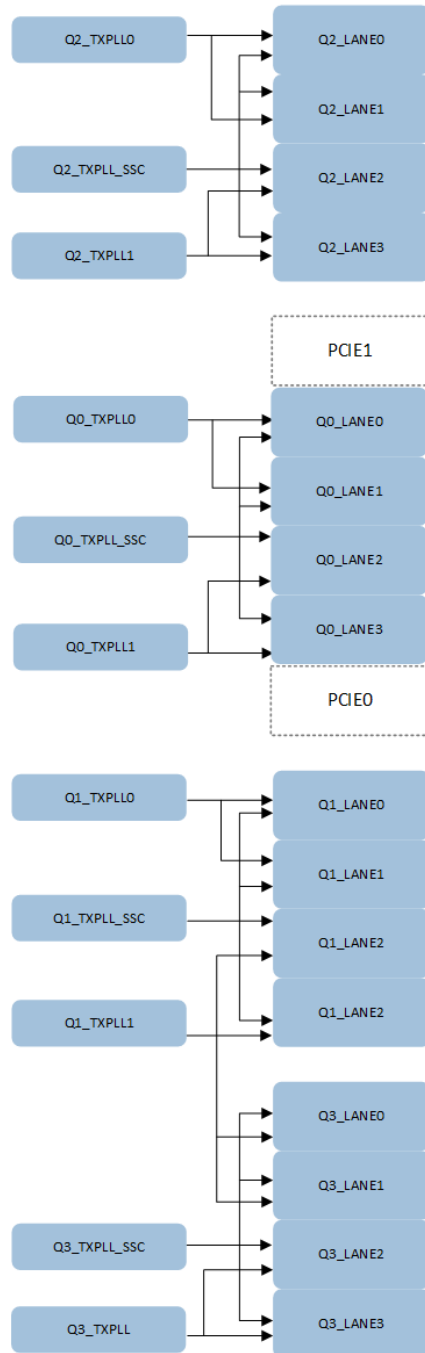
Interface	Direction	I/O Data Rate	I/O Clock Rate (MHz)	Gear Ratio	FPGA Clock Rate (MHz)	Applications
DDR4	BiDir	1.6 Gbps	800	8:1	200	Memory interface
DDR3 (L)	BiDir	1.3 Gbps	650	8:1	162.5	Memory interface
LPDDR3	BiDir	1.3 Gbps	650	8:1	162.5	Low-power memory interface
QDRII+	Input/ Output	1.1 Gbps	550	8:1	137.5	Low-latency memory interface
RLDRAM3	Input/ Output	1.0 Gbps	500	8:1	125	Low-latency memory interface
7:1 LVDS	Input	800 Mbps	400	7:1	114	Flatlink, Cameralink
CDR	Input	1.25 Gbps	625	10:1	125	1000BASE-T, SGMII
MIPI-DPHY	Input/ Output	800 Mbps/ 500 Mbps	250	2:1	125	MIPI CSI, DSI



## 6 PCI Express

Each PolarFire FPGA integrates two low-power built-in PCIe Gen2 controllers, allowing seamless and easy connectivity to one or more host processors. The two PCIe controllers are shared across two quads, as shown in the following illustration. All PLLs are jitter attenuation-capable, while the SSC label indicates spread spectrum clock (SSC) capability.

**Figure 8 • PCI Express Hard Macro Lane Sharing**



## 6.1 PCI Express Features

The following are PCIe features:

- ×1, ×2, and ×4 lane support
- Suitable for root port, native endpoint
- PCI Express base specification revision 2.0 and 1.1 compliant
- AXI4 master and slave interfaces to the FPGA fabric
- Single function capability
- Advanced error reporting (AER) support
- Integrated clock domain crossing (CDC) to support user-selected AXI4 frequency
- Lane reversal support
- Legacy PCI power management support
- Native active state power management L0s and L1 state support
- Power management event (PME message)
- MSI and legacy INT message support
- Latency tolerance reporting (LTR)
- L1 PM sub-states with CLKREQ
- Address translation tables between the PCIe and AXI4 domains

## 6.2 PCI Express DMA Engines

Each PCIe controller supports the following built-in DMA modes, enabling low-power and efficient data transfer into the FPGA fabric.

- Two DMA channels
- Eight outstanding read and write requests
- Completion reordering support
- Flexible scatter-gather DMA modes, including dynamic DMA control per descriptor
- Optional DMA engine reporting to the descriptor to ease software management
- Fetching of up to three descriptors to optimize throughput

## 7 PolarFire FPGA System Controller

---

The PolarFire FPGA system controller is based on the industry-standard ARM Cortex-M3 and is only used for FPGA powerup, secure DPA safe FPGA programming, and executing and responding to system services. All internal memories are SECEDED protected with background scrubbing capabilities to remove single bit errors.

### 7.1 System Services

System services provide the user with information about the state of the FPGA and allow the user to request the system controller to perform predefined functions using a standard Application Programming Interface (API).

#### Design services

- Initialize fabric RAM
- Bitstream authentication
- IAP image authentication

#### Data services

- sNVM read/write
- PUF emulation service
- Nonce service

#### Device services

- Serial number
- JTAG user code
- Design version number
- Device certificate

#### FPGA fabric services

- In-application programming
- Digest check

## 8 Debug Probe System

---

Two specified user I/Os can be configured (at design capture stage) as either two single-ended live probes or one differential live probe. These live probes can provide read access to any register in the FPGA fabric, to the output pipeline registers in the LSRAMs, and to all the registers in the math block in real-time without having to re-instrument the code. A snapshot of all internal probe points can be created and read out asynchronously. The live-probe feature can be considered like a two-channel oscilloscope, whose two channels can be routed out to I/Os for external observation, and to internal ports to allow fabric design observation. Selecting different probe points within the PolarFire FPGA occurs dynamically through commands over the JTAG port using SmartDebug. Reprogramming of the FPGA is not required.

The debug probe system includes the following:

- Active probe allows dynamic asynchronous read and write to a flip-flop or a probe point. This enables quick internal observation of the logic output or experimentation on how the logic will be affected by writing to a probe point.
- Memory debug allows dynamic asynchronous read and write to a  $\mu$ SRAM or a large SRAM block to quickly verify if the content of the memory is changing as expected.
- Probe insertion allows routing of nodes or debug points in the FPGA design externally through unused I/Os. An oscilloscope/logic analyzer can be attached to monitor them as live signals.

## 9 Programming

Microsemi's PolarFire FPGAs have multiple programming modes designed to enable various use models. All bitstreams are always encrypted and DPA safe. Each PolarFire FPGA can be programmed using a dedicated SPI peripheral and JTAG port. All PolarFire FPGAs are typically reprogrammed in less than 60 seconds. For device specific programming timings, see [DS0141: PolarFire FPGA Datasheet](#).

The following programming modes are supported:

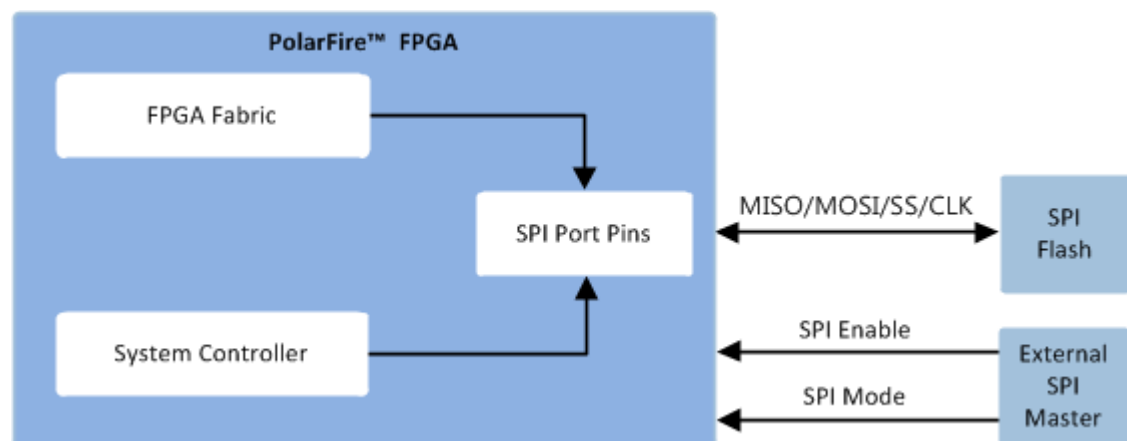
- Slave Programming
  - JTAG
  - Slave SPI—an external SPI master programs the FPGA
- SPI Master Programming—In-Application Programming (IAP)
  - Auto update feature—the system controller on power-up checks for a new bitstream in an external SPI flash and programs the FPGA.
  - Auto programming feature—on a blank device, the system controller on power-up checks for a bitstream in an external SPI flash and programs the FPGA.
  - Programming recovery feature—if remote programming fails due to a power interruption, the system controller reprograms the FPGA on the next power-up cycle from a golden bitstream (located in an external SPI flash).

### 9.1 Dedicated SPI Programming Port

To facilitate the use of various programming modes PolarFire FPGAs share dedicated SPI port pins between the system controller and user logic embedded in the FPGA. User logic must instantiate the User SPI macro to gain access to the pins from their design. The SPI port pins can be used as a master or slave programming port based on the signal level on the dedicated SPI mode pin. The dedicated SPI Enable pin also allows an external SPI master to program the on-board SPI flash without an external MUX by tri-stating the SPI MOSI/MISO/SS/CLK pins on the PolarFire FPGA.

The following illustration shows the SPI port facilitating the use of various programming modes.

**Figure 9 • SPI Programming Port**



## 10 Low Power

PolarFire FPGAs offer a variety of techniques and capabilities to lower the total application power. Users can take advantage of these features to lower both capital and operational expenditures with smaller or no heat sinks, smaller or fewer fans, lower cooling costs, and so on. Additionally, the lower total power advantage can also allow the user to pack more compute operations into an existing thermal budget.

### 10.1 Non-Volatile Technology

Using a non-volatile complementary metal–oxide semiconductor (CMOS) technology for the FPGA configuration cells offers several power advantages over SRAM FPGA technology.

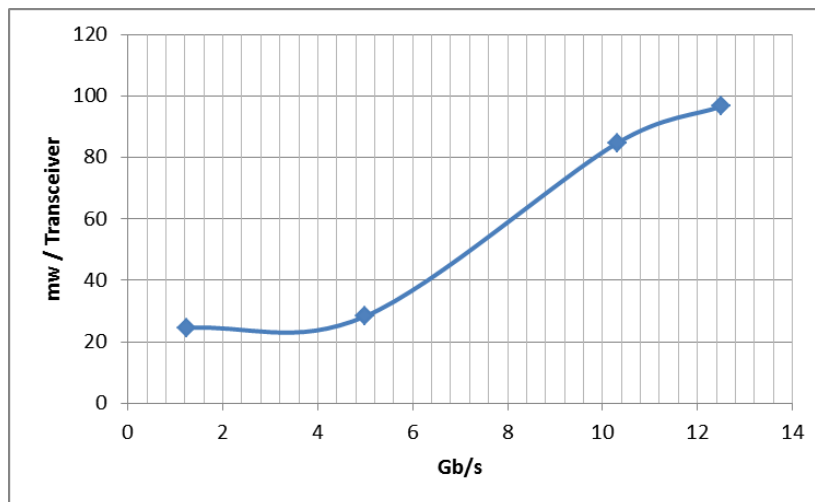
- A non-volatile switch has lower power than a SRAM switch, leading to lower static power consumption
- No SRAM configuration in-rush currents
- An external configuration component is not necessary

### 10.2 Low-Power Transceiver Lane

PolarFire FPGAs' low-power capability is also extended to the industry's most power efficient transceiver lane, enabling 10GBASE-KR applications at less than 100 mW of power per lane. The transceiver lane has comprehensive power-down controls to optimize power consumption, including programmable amplitude and edge rate control.

The following illustration shows the connection between transceiver power and data rate.

**Figure 10 • Transceiver Power versus Data Rate**



### 10.3 Lower Power "L" Devices

Low power (L) devices provide up to 35 percent lower static power with identical electrical specifications to the STD speed grade device. L devices can be ordered as described in the section [Ordering Information](#) (see page 33).

## 11 Reliability

---

Microsemi continues to offer the industry's most reliable FPGAs for your mission and safety critical applications.

### 11.1 FPGA Fabric

PolarFire FPGA configuration cells are inherently immune to SEUs caused by neutrons. Contrary to popular belief, shielding does not prevent a neutron from passing through an electronic system or electronic device. As semiconductor device geometry shrinks to smaller lithography, the problem of MBUs starts appearing. SRAM FPGA scrubbing techniques might be inadequate in these circumstances and while scrubbing may help, an important point is that scrubbing detects an error after the fact. The error has already occurred and propagated throughout the system. The configuration of the PolarFire FPGA fabric provides worry-free operation against random events caused by SEUs.

### 11.2 LSRAM

LSRAMs have built-in SECEDED capability on a 32-bit word boundary. Seven additional bits are used for error correction. Two flags are provided to the user to indicate SECEDED. Mitigation against multi-bit upsets is provided by keeping all cells in a word separated by a minimum distance of 5  $\mu\text{m}$ . Applications that require scrubbing need to be accomplished with user logic. The error correction logic can be turned ON and OFF by the user to enable easy validation of the error correction operation.

### 11.3 $\mu$ SRAM

The 64  $\times$  12  $\mu$ SRAMs are constructed from latches and are not as sensitive to SEUs as SRAMs are.

### 11.4 Digests

Digests verify the integrity of the programmed non-volatile data. Digests are a cryptographic hash of various data areas. Any digest that reports back an error raises the digest tamper flag.

The following are digestible non-volatile areas:

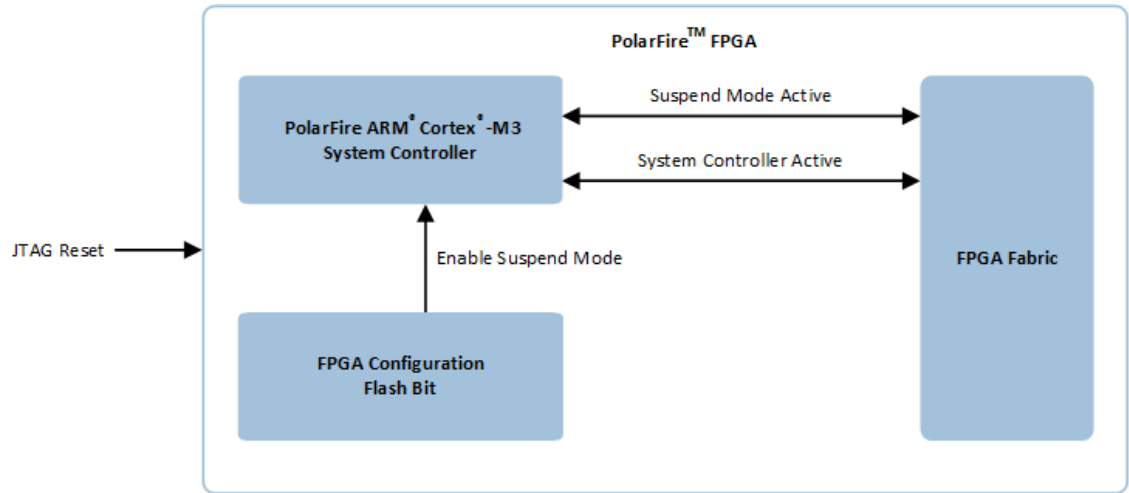
- The FPGA fabric and consequently the  $\mu$ PROM
- sNVM marked as ROM
- User key 1
- User key 2
- Factory parametric and key storage

### 11.5 System Controller Suspend Mode

For safety critical applications, PolarFire FPGAs allow the user to place the Cortex-M3-based system controller in a reset state after the FPGA has powered up. By programming an SEU configuration non-volatile bit, the Cortex-M3 is placed in reset by a TMRed SEU immune reset latch after FPGA power-up. User logic can monitor if the suspend mode command is active and if the system controller cannot fetch instructions while in the reset state. The FPGA can be re-programmed after disabling the suspend mode by asserting the appropriate JTAG signals. The JTAG TRSTB signal must be asserted low for suspend mode to remain active.

The following illustration shows how to activate and deactivate suspend mode.

Figure 11 • System Controller Suspend Mode





## 12 Security

---

Today's demanding applications not only have to meet the functional requirements, but also to meet them in a secured way. Security starts during silicon manufacturing and continues through system deployment and operations. Microsemi's PolarFire FPGAs represent the industry's most advanced secure programmable FPGAs.

### 12.1 Design Security

Protecting your design starts with wafer manufacturing and continues through the deployment of the end product. The following are key features that provide state-of-the-art supply chain assurance and IP protection benefits in all PolarFire FPGA devices:

- Secure supply chain management through the use of hardware security modules (HSMs) during wafer test and packaging
- Supply chain assurance through the use of a 768-byte digitally signed x.509 FPGA certificate embedded in every FPGA
- AES256-encrypted CRI DPA countermeasures patent protected, bitstream, and key management protocols
- Built-in tamper detectors: voltage monitors, temperature monitor, clock glitch detectors, voltage glitch detectors, protective meshes, and bus scrambling
- Data integrity through built-in cryptographic digest capabilities
- Zeroization capabilities for all on-chip memories and the FPGA fabric
- Integrated PUF for the ultimate in key storage
- 56 Kbytes of PUF protected sNVM
  - Secure reprogrammable keys using non-volatile memory

#### 12.1.1 Tamper Detectors

Microsemi's PolarFire FPGAs integrate numerous on-chip tamper detectors, enabling users to monitor the environment and the operating parameters of the design. The user can respond to the events that are determined to be out-of-scope for proper operation. Tamper flags indicate that a tamper event has occurred and are available as signals to the FPGA fabric for users to process and respond. The following is a partial list of tamper detectors:

- Clock glitch detectors
- Clock frequency detectors
- Voltage monitor detectors
- Voltage glitch detector for all three power supplies
- Temperature sensor
- JTAG active detector
- Mesh active detector

#### 12.1.2 Tamper Responses

After processing a detected event, the user can perform one of the following actions.

- Disable I/Os—configurable on a per I/O basis
- Security lockdown
- Reset
- Zeroize

### 12.2 Data Security

Select Microsemi PolarFire FPGAs (TS FPGAs) build on the design security capabilities in all PolarFire FPGAs by enabling high-speed DPA safe cryptographic protocols at wire-line speeds. PolarFire data security FPGAs include the following additional features.

- Integrated true random number generator for enabling modern cryptographic protocols capable of generating random numbers at greater than 100 Mbps

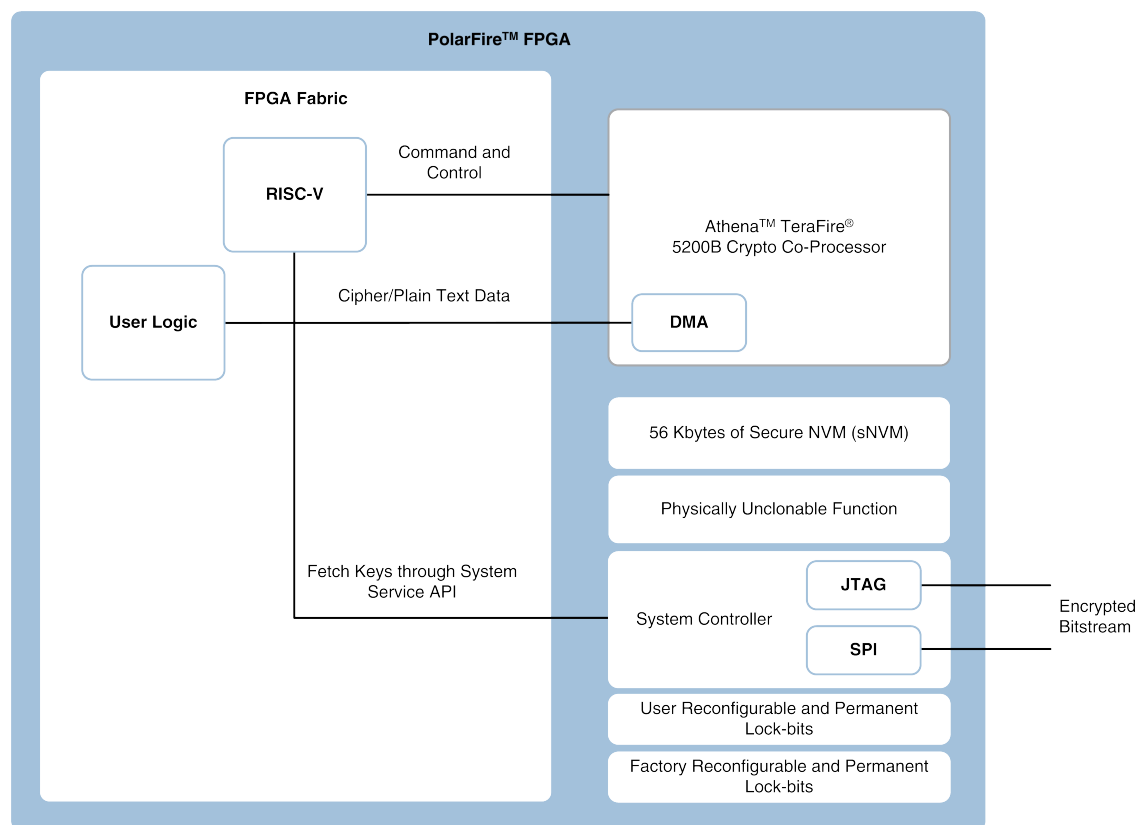
- 189 MHz Athena TeraFire 5200B DPA safe Crypto Coprocessor capable of implementing Suite-B+ algorithms
- CRI DPA pass-through licensing enabling DPA safe high-speed cryptographic designs in the FPGA fabric. A CRI license is included in the purchase price of the TS FPGA. There is no need to negotiate a separate license.
- NIST-certified protocols

The following are TeraFire EXP-F5200B supported protocols/features:

- TRNG (integrated): SP800-90A CTR\_DRBG-256, and SP800-90B(draft) NRBG
- AES-128/192/256 E/D (ECB, CBC, CTR, OFB, CFB, CCM, GCM, KeyWrap)  
**Note:** AES GCM mode is implemented through an application note.
- SHA-1/224/256/384/512
- HMAC-SHA-256/384/512; GMAC; CMAC
- SHA-256 Key Tree
- ECC-NIST P192/224/256/384/521 and Brainpool P256/384/512 curves with: KAS-ECC CDH; ECDSA-SigGen, SigVer, PKG, and PKV
- FFC: 1024/1536/2048/3072/4096-bits with: DSA SigGen and SigVer; and KAS-DH
- IFC: 1024/1536/2048/3072/4096/8192-bits with: RSA E/D; SSA\_PKCS1\_V1\_5 SigGen and SigVer; and ANSI X9.31 SigGen and SigVer

The following illustration shows a typical use model for using the Athena Crypto Coprocessor.

**Figure 12 • Using the Athena TeraFire 5200B Crypto Coprocessor**



Users instantiate a RISC-V CPU for command and control, including fetching keys from the system controller through a system service API, initializing the Athena Core, and setting up DMA to perform the desired function. The TeraFire core comes with a complete firmware driver library for all supported protocols. These driver libraries are delivered to the designer's desktop through our Firmware Catalog within Libero SoC PolarFire.

## 13 PolarFire FPGA Device Offerings

PolarFire FPGAs offer low-power transceiver devices and various device offerings with transceivers, such as design security, data security, and low-power data security. All PolarFire FPGAs are integrated with multi-protocol industry-leading low-power transceivers. Low power (L) devices provide up to 35 percent lower static power with identical electrical specifications to the STD speed grade device. Also, data security (S) devices integrate a DPA-resistant crypto accelerator.

The following table lists the PolarFire FPGA device options using the MPF300T as an example. The MPF100T, MPF200T, and MPF500T device densities have identical offerings. Temperatures listed are junction temperatures.

**Table 13 • PolarFire FPGA Offerings**

Device Options	Extended Commercial Temperature (E) 0 °C–100 °C	Industrial Temperature (I) –40 °C–100 °C	STD Speed Grade	–1 Speed Grade	Transceivers (T)	Lower Static Power (L)	Data Security (S)
MPF300T	Yes	Yes	Yes	Yes	Yes		
MPF300TL	Yes	Yes	Yes		Yes	Yes	
MPF300TS		Yes	Yes	Yes	Yes		Yes
MPF300TLS		Yes	Yes		Yes	Yes	Yes

The following table lists the planned military temperature offerings for the PolarFire FPGA device (data security "S", STD speed grade, leaded package, –55 °C–125 °C Tj). For availability, please contact your local Microsemi representative. Only Military Temperature grade devices are offered in a leaded package.

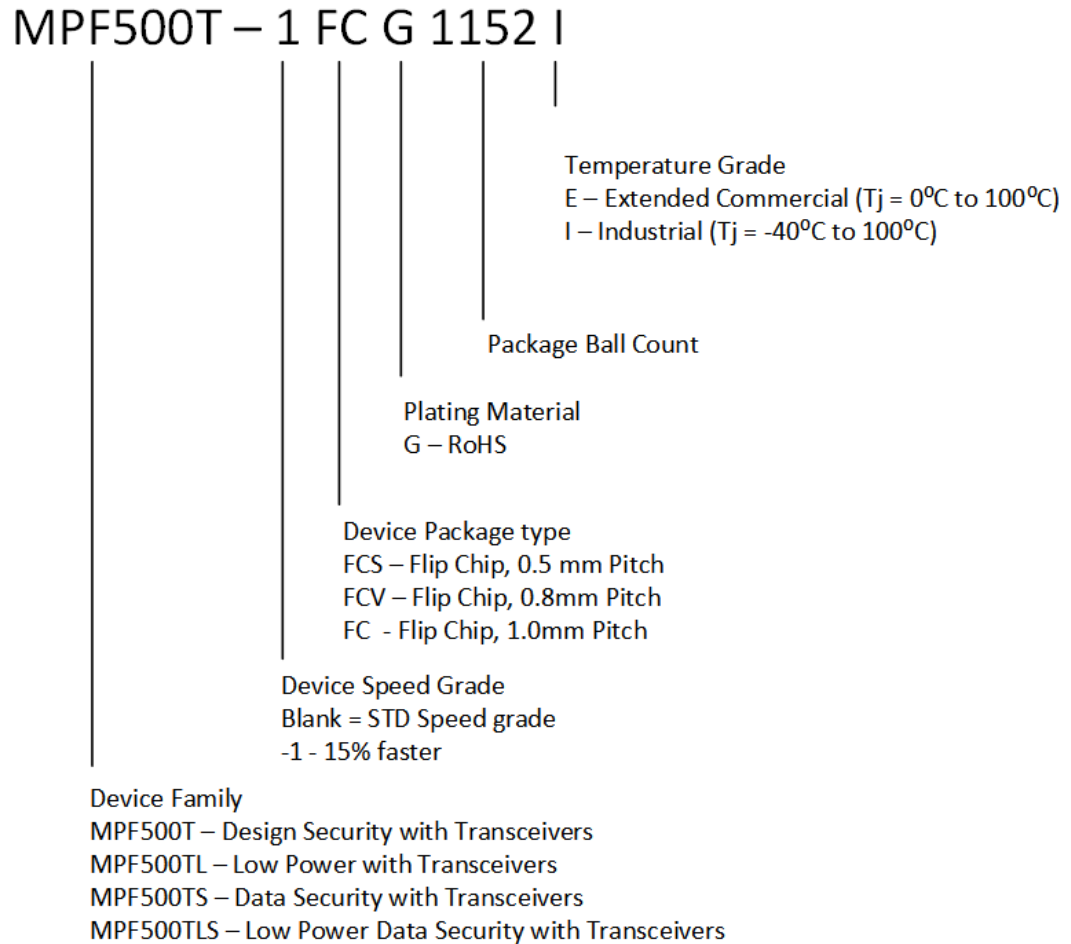
**Table 14 • PolarFire FPGA Military Temperature Offering**

Package Type	MPF200TS	MPF300TS	MPF500TS
FCS325 (11x14.5, 0.5 mm)	Yes		
FCS536 (16x16, 0.5 mm)		Yes	
FCV484 (19x19, 0.8 mm)		Yes	
FC484 (23x23, 1.0 mm)		Yes	
FC784 (29x29, 1.0 mm)			Yes
FC1152 (35x35, 1.0 mm)			Yes

## 14 Ordering Information

PolarFire FPGAs are offered with multiple speed grades, temperatures, and package combinations. All FPGAs are equipped with low-power transceivers. All temperatures are specified as junction temperatures.

Figure 13 • Ordering Information



## 15 Export Classification

---

The following table lists the PolarFire FPGA export classification using the MPF300T as an example. The MPF100T, MPF200T, and MPF500T device densities have identical classifications. This table is applicable to extended commercial and industrial temperature grade devices.

**Table 15 • PolarFire FPGA Export Classification**

Device Options	Data Security (S)	ECCN
MPF300T	No	3A991.d
MPF300TL	No	3A991.d
MPF300TS	Yes	5A002.a.1
MPF300TLS	Yes	5A002.a.1

**Microsemi Headquarters**

One Enterprise, Aliso Viejo,  
CA 92656 USA

Within the USA: +1 (800) 713-4113

Outside the USA: +1 (949) 380-6100

Sales: +1 (949) 380-6136

Fax: +1 (949) 215-4996

Email: [sales.support@microsemi.com](mailto:sales.support@microsemi.com)

[www.microsemi.com](http://www.microsemi.com)

© 2017-2019 Microsemi. All rights reserved. Microsemi and the Microsemi logo are trademarks of Microsemi Corporation. All other trademarks and service marks are the property of their respective owners.

Microsemi makes no warranty, representation, or guarantee regarding the information contained herein or the suitability of its products and services for any particular purpose, nor does Microsemi assume any liability whatsoever arising out of the application or use of any product or circuit. The products sold hereunder and any other products sold by Microsemi have been subject to limited testing and should not be used in conjunction with mission-critical equipment or applications. Any performance specifications are believed to be reliable but are not verified, and Buyer must conduct and complete all performance and other testing of the products, alone and together with, or installed in, any end-products. Buyer shall not rely on any data and performance specifications or parameters provided by Microsemi. It is the Buyer's responsibility to independently determine suitability of any products and to test and verify the same. The information provided by Microsemi hereunder is provided "as is, where is" and with all faults, and the entire risk associated with such information is entirely with the Buyer. Microsemi does not grant, explicitly or implicitly, to any party any patent rights, licenses, or any other IP rights, whether with regard to such information itself or anything described by such information. Information provided in this document is proprietary to Microsemi, and Microsemi reserves the right to make any changes to the information in this document or to any products and services at any time without notice.

Microsemi, a wholly owned subsidiary of Microchip Technology Inc. (Nasdaq: MCHP), offers a comprehensive portfolio of semiconductor and system solutions for aerospace & defense, communications, data center and industrial markets. Products include high-performance and radiation-hardened analog mixed-signal integrated circuits, FPGAs, SoCs and ASICs; power management products; timing and synchronization devices and precise time solutions; setting the world's standard for time; voice processing devices; RF solutions; discrete components; enterprise storage and communication solutions; security technologies and scalable anti-tamper products; Ethernet solutions; Power-over-Ethernet ICs and midspans; as well as custom design capabilities and services. Microsemi is headquartered in Aliso Viejo, California, and has approximately 4,800 employees globally. Learn more at [www.microsemi.com](http://www.microsemi.com).

51700137