



# VND5025LAK-E

## Double channel high side driver with analog current sense for automotive applications

### Features

|                                   |            |                          |
|-----------------------------------|------------|--------------------------|
| Max supply voltage                | $V_{CC}$   | 41 V                     |
| Operating voltage range           | $V_{CC}$   | 4.5 to 36V               |
| Max On-State resistance (per ch.) | $R_{ON}$   | 25m $\Omega$             |
| Current limitation (typ)          | $I_{LIMH}$ | 60A                      |
| Off-state supply current          | $I_S$      | 2 $\mu$ A <sup>(1)</sup> |

1. Typical value with all loads connected

#### ■ Features

- In-rush current active management by power limitation
- Very low standby current
- 3.0V CMOS compatible input
- Optimized electromagnetic emission
- Very low electromagnetic susceptibility
- In compliance with the 2002/95/EC European directive
- Package: ECOPACK®

#### ■ Diagnostic functions

- Proportional load current sense
- High current sense precision for wide range currents
- Current sense disable
- Thermal shutdown indication
- Very low current sense leakage

#### ■ Protections

- Undervoltage shutdown
- Overvoltage clamp
- Load current limitation
- Self-limiting of fast thermal transients
- Protection against loss of ground and loss of  $V_{CC}$
- Thermal shutdown



- Reverse battery protection (see [Application schematic<sup>\(1\)</sup> on page 21](#))
- Electrostatic discharge protection

### Description

The VND5025LAK-E is a monolithic device made using STMicroelectronics VIPower M0-5 technology. It is intended for driving resistive or inductive loads with one side connected to ground, and suitable for driving LEDs.

Active  $V_{CC}$  pin voltage clamp protects the device against low energy spikes (see ISO7637 transient compatibility table).

This device integrates an analog current sense which delivers a current proportional to the load current (according to a known ratio) when CS\_DIS is driven low or left open.

When CS\_DIS is driven high, the CURRENT SENSE pin is in a high impedance condition.

Output current limitation protects the device in overload condition. In case of long overload duration, the device limits the dissipated power to safe level up to thermal shutdown intervention. Thermal shutdown with automatic restart allows the device to recover normal operation as soon as fault condition disappears.

Table 1. Device summary

| Package      | Order codes  |                |
|--------------|--------------|----------------|
|              | Tube         | Tape and reel  |
| PowerSSO-24™ | VND5025LAK-E | VND5025LAKTR-E |

# Contents

|          |   |           |
|----------|---|-----------|
| <b>1</b> | <b>Block diagram and pin description</b> .....            | <b>5</b>  |
| <b>2</b> | <b>Electrical characteristics</b> .....                   | <b>7</b>  |
| 2.1      | Absolute maximum ratings .....                            | 7         |
| 2.2      | Thermal data .....  | 8         |
| 2.3      | Electrical characteristics .....                          | 8         |
| 2.4      | Electrical characteristics curves .....                   | 18        |
| <b>3</b> | <b>Application information</b> .....                      | <b>21</b> |
| 3.1      | GND protection network against reverse battery .....      | 21        |
| 3.1.1    | Solution 1: Resistor in the ground line (RGND only) ..... | 21        |
| 3.1.2    | Solution 2: Diode (DGND) in the ground line .....         | 22        |
| 3.2      | Load dump protection .....                                | 22        |
| 3.3      | Microcontroller I/Os protection .....                     | 22        |
| 3.4      | Maximum demagnetization energy (VCC = 13.5V) .....        | 23        |
| <b>4</b> | <b>Package and thermal data</b> .....                     | <b>24</b> |
| 4.1      | PowerSSO-24™ thermal data .....                           | 24        |
| <b>5</b> | <b>Package and packing information</b> .....              | <b>27</b> |
| 5.1      | ECOPACK® packages .....                                   | 27        |
| 5.2      | PowerSSO-24 mechanical data .....                         | 27        |
| 5.3      | Package mechanical .....                                  | 28        |
| 5.4      | Packing information .....                                 | 29        |
| <b>6</b> | <b>Revision history</b> .....                             | <b>30</b> |

## List of tables

|           |   |    |
|-----------|---|----|
| Table 1.  | Device summary . . . . .  | 1  |
| Table 2.  | Pin functions . . . . .   | 5  |
| Table 3.  | Suggested connections for unused and not connected pins . . . . . | 6  |
| Table 4.  | Absolute maximum ratings . . . . .                                | 7  |
| Table 5.  | Thermal data . . . . .  | 8  |
| Table 6.  | Power section . . . . .   | 8  |
| Table 7.  | Switching ( $V_{CC} = 13V$ ; $T_j = 25^{\circ}C$ ) . . . . .      | 9  |
| Table 8.  | Logic input . . . . .   | 9  |
| Table 9.  | Protections and diagnostics . . . . .                             | 9  |
| Table 10. | Current sense ( $8V < V_{CC} < 16V$ ) . . . . .                   | 10 |
| Table 11. | Truth table. . . . .  | 14 |
| Table 12. | Electrical transient requirements (part 1/3). . . . .             | 16 |
| Table 13. | Electrical transient requirements (part 2/3). . . . .             | 16 |
| Table 14. | Electrical transient requirements (part 3/3). . . . .             | 16 |
| Table 15. | Thermal parameters . . . . .                                      | 26 |
| Table 16. | PowerSSO-24™ mechanical data . . . . .                            | 28 |
| Table 17. | Document revision history . . . . .                               | 30 |

## List of figures

|            |   |    |
|------------|---|----|
| Figure 1.  | Block diagram . . . . .   | 5  |
| Figure 2.  | Configuration diagram (top view) . . . . .  | 5  |
| Figure 3.  | Current and voltage conventions . . . . .   | 7  |
| Figure 4.  | Current sense delay characteristics . . . . .   | 12 |
| Figure 5.  | Delay response time between rising edge of output current and rising edge of current sense (CS enabled) . . . . . | 12 |
| Figure 6.  | IOUT/ISENSE vs IOUT <sup>(1)</sup> . . . . .  | 13 |
| Figure 7.  | Maximum current sense ratio drift vs load current . . . . .   | 14 |
| Figure 8.  | Switching characteristics . . . . .   | 15 |
| Figure 9.  | Output voltage drop limitation . . . . .  | 15 |
| Figure 10. | Waveforms . . . . .   | 17 |
| Figure 11. | Off-state output current . . . . .  | 18 |
| Figure 12. | High level input current . . . . .  | 18 |
| Figure 13. | Input clamp voltage . . . . .   | 18 |
| Figure 14. | Input high level . . . . .  | 18 |
| Figure 15. | Input low level . . . . .   | 18 |
| Figure 16. | Input hysteresis voltage . . . . .  | 18 |
| Figure 17. | On-state resistance vs Tcase . . . . .  | 19 |
| Figure 18. | On-state resistance vs VCC . . . . .  | 19 |
| Figure 19. | Undervoltage shutdown . . . . .   | 19 |
| Figure 20. | ILIMH vs Tcase . . . . .  | 19 |
| Figure 21. | Turn-on voltage slope . . . . .   | 19 |
| Figure 22. | Turn-off voltage slope . . . . .  | 19 |
| Figure 23. | CS_DIS high level voltage . . . . .   | 20 |
| Figure 24. | CS_DIS low level voltage . . . . .  | 20 |
| Figure 25. | CS_DIS clamp voltage . . . . .  | 20 |
| Figure 26. | Application schematic <sup>(1)</sup> . . . . .  | 21 |
| Figure 27. | Maximum turn-off current versus inductance <sup>(1)</sup> . . . . .   | 23 |
| Figure 28. | PowerSSO-24™ PC board <sup>(1)</sup> . . . . .  | 24 |
| Figure 29. | Rthj-amb vs PCB copper area in open box free air condition (with one channel ON) . . . . .                        | 24 |
| Figure 30. | PowerSSO-24™ thermal impedance junction to ambient single pulse (with one channel ON) . . . . .                   | 25 |
| Figure 31. | Thermal fitting model of a double channel HSD in PowerSSO-24™(1) . . . . .  | 26 |
| Figure 32. | PowerSSO-24™ package dimensions . . . . .   | 27 |
| Figure 33. | PowerSSO-24™ tube shipment (no suffix) . . . . .  | 29 |
| Figure 34. | PowerSSO-24™ tape and reel shipment (suffix "TR") . . . . .   | 29 |

# 1 Block diagram and pin description

Figure 1. Block diagram

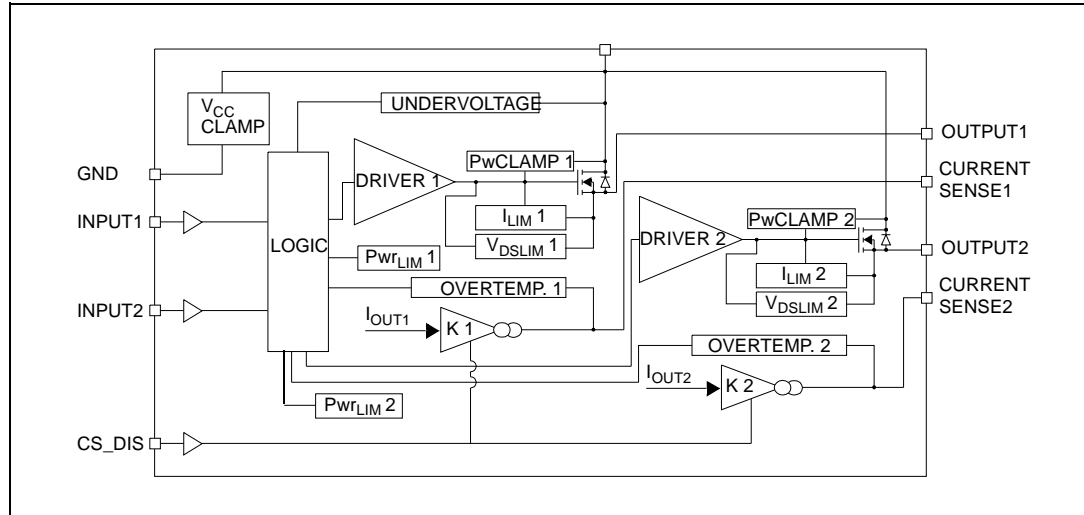
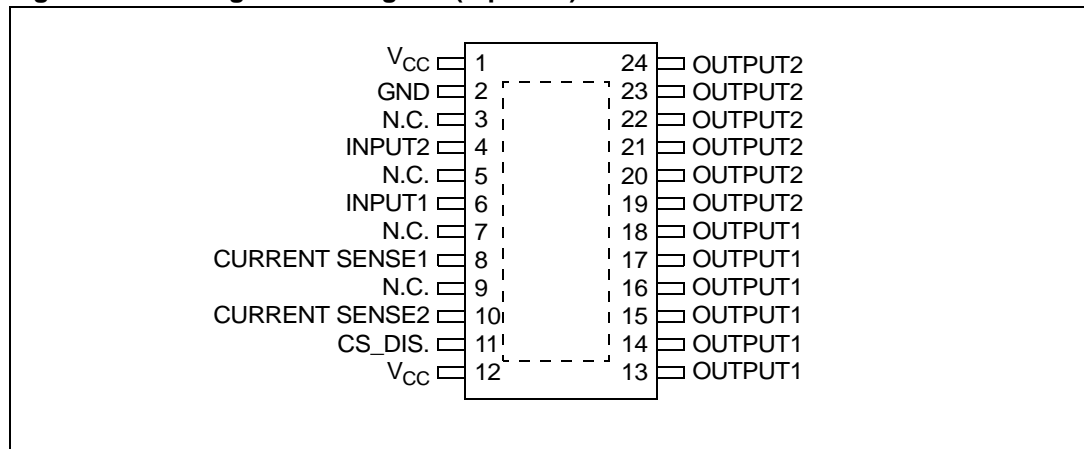


Table 2. Pin functions

| Name                         | Function  |
|------------------------------|---|
| V <sub>CC</sub>              | Battery connection  |
| OUTPUT <sub>1,2</sub>        | Power output  |
| GND                          | Ground connection; must be reverse battery protected by an external diode/resistor network  |
| INPUT <sub>1,2</sub>         | Voltage controlled input pin with hysteresis, CMOS compatible; controls output switch state |
| CURRENT SENSE <sub>1,2</sub> | Analog current sense pin; delivers a current proportional to the load current               |
| CS_DIS                       | Active high CMOS compatible pin to disable the current sense pin                            |

Figure 2. Configuration diagram (top view)



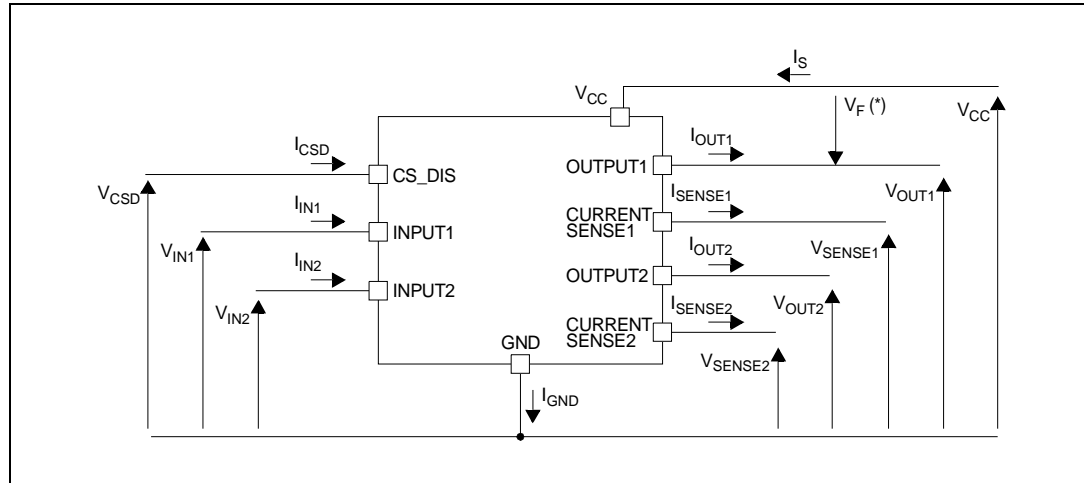
**Table 3. Suggested connections for unused and not connected pins**

| Connection / Pin | Current Sense                | N.C. | Output | Input                         | CS_DIS                        |
|------------------|------------------------------|------|--------|-------------------------------|-------------------------------|
| Floating         | N.R. <sup>(1)</sup>          | X    | X      | X                             | X                             |
| To ground        | Through 1k $\Omega$ resistor | X    | N.R.   | Through 10k $\Omega$ resistor | Through 10k $\Omega$ resistor |

1. Not recommended

## 2 Electrical characteristics

Figure 3. Current and voltage conventions



Note:  $V_{Fn} = V_{OUTn} - V_{CC}$  during reverse battery condition

### 2.1 Absolute maximum ratings

Table 4. Absolute maximum ratings

| Symbol          | Parameter   | Value                      | Unit |
|-----------------|---|----------------------------|------|
| $V_{CC}$        | DC supply voltage   | 41                         | V    |
| $-V_{CC}$       | Reverse DC supply voltage   | 0.3                        |      |
| $-I_{GND}$      | DC reverse ground pin current   | 200                        | mA   |
| $I_{OUT}$       | DC output current   | Internally limited         | A    |
| $-I_{OUT}$      | Reverse DC output current   | 24                         |      |
| $I_{IN}$        | DC input current  | -1 to 10                   | mA   |
| $I_{CSD}$       | DC current sense disable input current  |                            |      |
| $-I_{CSENSE}$   | DC reverse CS pin current   |                            |      |
| $V_{CSENSE}$    | Current sense maximum voltage   | $V_{CC} - 41$ to $+V_{CC}$ | V    |
| $E_{MAX}^{(1)}$ | Maximum switching energy (single pulse)<br>( $L = 0.3mH$ ; $R_L = 0\Omega$ ; $V_{bat} = 13.5V$ ; $T_{jstart} = 150^\circ C$ ;<br>$I_{OUT} = I_{limL}(Typ.)$ ) | 109                        | mJ   |
| $V_{ESD}$       | Electrostatic Discharge<br>(Human Body Model: $R = 1.5k\Omega$ ; $C = 100pF$ )  |                            |      |
|                 | - Input   | 4000                       | V    |
|                 | - Current sense   | 2000                       | V    |
|                 | - CS_DIS  | 4000                       | V    |
|                 | - Output  | 5000                       | V    |
|                 | - $V_{CC}$  | 5000                       | V    |

**Table 4. Absolute maximum ratings (continued)**

| Symbol           | Parameter                              | Value      | Unit |
|------------------|--|------------|------|
| V <sub>ESD</sub> | Charge device model (CDM-AEC-Q100-011) | 750        | V    |
| T <sub>j</sub>   | Junction operating temperature         | -40 to 150 | °C   |
| T <sub>stg</sub> | Storage temperature                    | -55 to 150 |      |

1. See [Section 3.4](#) for details.

## 2.2 Thermal data

**Table 5. Thermal data**

| Symbol                | Parameter  | Max Value                     | Unit |
|-----------------------|--|-------------------------------|------|
| R <sub>thj-case</sub> | Thermal resistance junction-case (MAX) (with one channel ON) | 1.35                          | °C/W |
| R <sub>thj-amb</sub>  | Thermal resistance junction-ambient (MAX)                    | See <a href="#">Figure 29</a> |      |

## 2.3 Electrical characteristics

8V < V<sub>CC</sub> < 36V; -40°C < T<sub>j</sub> < 150°C, unless otherwise specified

**Table 6. Power section**

| Symbol               | Parameter   | Test conditions  | Min | Typ              | Max              | Unit |
|----------------------|---|--|-----|------------------|------------------|------|
| V <sub>CC</sub>      | Operating supply voltage                              |  | 4.5 | 13               | 36               | V    |
| V <sub>USD</sub>     | Undervoltage shutdown                                 |  |     | 3.5              | 4.5              |      |
| V <sub>USDhyst</sub> | Undervoltage shutdown hysteresis                      |  |     | 0.5              |                  |      |
| R <sub>ON</sub>      | On-state resistance <sup>(1)</sup>                    | I <sub>OUT</sub> = 3A; T <sub>j</sub> = 25°C   |     |                  | 25               | mΩ   |
|                      |   | I <sub>OUT</sub> = 3A; T <sub>j</sub> = 150°C  |     |                  | 50               |      |
|                      |   | I <sub>OUT</sub> = 3A; V <sub>CC</sub> = 5V; T <sub>j</sub> = 25°C   |     |                  | 35               |      |
| V <sub>clamp</sub>   | Clamp voltage   | I <sub>S</sub> = 20 mA   | 41  | 46               | 52               | V    |
| I <sub>S</sub>       | Supply current  | Off-state; V <sub>CC</sub> = 13V; T <sub>j</sub> = 25°C; V <sub>IN</sub> = V <sub>OUT</sub> = V <sub>SENSE</sub> = V <sub>CSD</sub> = 0V |     | 2 <sup>(2)</sup> | 5 <sup>(2)</sup> | μA   |
|                      |   | On-state; V <sub>CC</sub> = 13V; V <sub>IN</sub> = 5V; I <sub>OUT</sub> = 0A   |     | 3                | 6                | mA   |
| I <sub>L(off)</sub>  | Off-state output current <sup>(1)</sup>               | V <sub>IN</sub> = V <sub>OUT</sub> = 0V; V <sub>CC</sub> = 13V; T <sub>j</sub> = 25°C  | 0   | 0.01             | 3                | μA   |
|                      |   | V <sub>IN</sub> = V <sub>OUT</sub> = 0V; V <sub>CC</sub> = 13V; T <sub>j</sub> = 125°C   | 0   |                  | 5                |      |
| V <sub>F</sub>       | Output - V <sub>CC</sub> diode voltage <sup>(1)</sup> | -I <sub>OUT</sub> = 3A; T <sub>j</sub> = 150°C   |     |                  | 0.7              | V    |

1. For each channel

2. PowerMOS leakage included



**Table 7. Switching ( $V_{CC} = 13V$ ;  $T_j = 25^\circ C$ )**

| Symbol                | Parameter                                 | Test conditions                                      | Min | Typ                              | Max | Unit      |
|-----------------------|---|--|-----|----------------------------------|-----|-----------|
| $t_{d(on)}$           | Turn-on delay time                        | $R_L = 4.3\Omega$<br>(see <a href="#">Figure 8</a> ) | -   | 35                               | -   | $\mu s$   |
| $t_{d(off)}$          | Turn-off delay time                       |  | -   | 50                               | -   |           |
| $(dV_{OUT}/dt)_{on}$  | Turn-on voltage slope                     | $R_L = 4.3\Omega$                                    | -   | (see <a href="#">Figure 21</a> ) | -   | $V/\mu s$ |
| $(dV_{OUT}/dt)_{off}$ | Turn-off voltage slope                    |  | -   | (see <a href="#">Figure 10</a> ) | -   |           |
| $W_{ON}$              | Switching energy losses during $tW_{ON}$  | $R_L = 4.3\Omega$<br>(see <a href="#">Figure 8</a> ) | -   | 0.45                             | -   | $mJ$      |
| $W_{OFF}$             | Switching energy losses during $tW_{OFF}$ |  | -   | 0.35                             | -   |           |

**Table 8. Logic input**

| Symbol          | Parameter                 | Test conditions  | Min  | Typ  | Max | Unit    |
|-----------------|---------------------------|------------------|------|------|-----|---------|
| $V_{IL}$        | Input low level voltage   |                  |      |      | 0.9 | V       |
| $I_{IL}$        | Low level input current   | $V_{IN} = 0.9V$  | 1    |      |     | $\mu A$ |
| $V_{IH}$        | Input high level voltage  |                  | 2.1  |      |     | V       |
| $I_{IH}$        | High level input current  | $V_{IN} = 2.1V$  |      |      | 10  | $\mu A$ |
| $V_{I(hyst)}$   | Input hysteresis voltage  |                  | 0.25 |      |     | V       |
| $V_{ICL}$       | Input clamp voltage       | $I_{IN} = 1mA$   | 5.5  |      | 7   |         |
|                 |                           | $I_{IN} = -1mA$  |      | -0.7 |     |         |
| $V_{CSDL}$      | CS_DIS low level voltage  |                  |      |      | 0.9 |         |
| $I_{CSDL}$      | Low level CS_DIS current  | $V_{CSD} = 0.9V$ | 1    |      |     | $\mu A$ |
| $V_{CSDH}$      | CS_DIS high level voltage |                  | 2.1  |      |     | V       |
| $I_{CSDH}$      | High level CS_DIS current | $V_{CSD} = 2.1V$ |      |      | 10  | $\mu A$ |
| $V_{CSD(hyst)}$ | CS_DIS hysteresis voltage |                  | 0.25 |      |     | V       |
| $V_{CSCL}$      | CS_DIS clamp voltage      | $I_{CSD} = 1mA$  | 5.5  |      | 7   |         |
|                 |                           | $I_{CSD} = -1mA$ |      | -0.7 |     |         |

**Table 9. Protections and diagnostics<sup>(1)</sup>**

| Symbol     | Parameter                                    | Test conditions                           | Min | Typ | Max | Unit |
|------------|--|---|-----|-----|-----|------|
| $I_{LIMH}$ | DC short circuit current                     | $V_{CC} = 13V$                            |     |     |     | A    |
|            |  | $5V < V_{CC} < 36V$                       |     |     |     |      |
| $I_{LIML}$ | Short circuit current during thermal cycling | $V_{CC} = 13V$ ;<br>$T_R < T_j < T_{TSD}$ |     |     |     |      |

**Table 9. Protections and diagnostics<sup>(1)</sup> (continued)**

| Symbol      | Parameter                              | Test conditions   | Min           | Typ           | Max           | Unit |
|-------------|--|---|---------------|---------------|---------------|------|
| $T_{TSD}$   | Shutdown temperature                   |   | 150           | 175           | 200           | °C   |
| $T_R$       | Reset temperature                      |   | $T_{RS} + 1$  | $T_{RS} + 5$  |               |      |
| $T_{RS}$    | Thermal reset of STATUS                |   | 135           |               |               |      |
| $T_{HYST}$  | Thermal hysteresis ( $T_{TSD} - T_R$ ) |   |               | 7             |               |      |
| $V_{DEMAG}$ | Turn-off output voltage clamp          | $I_{OUT} = 2A$ ;<br>$V_{IN} = 0$ ;<br>$L = 6mH$   | $V_{CC} - 41$ | $V_{CC} - 46$ | $V_{CC} - 52$ | V    |
| $V_{ON}$    | Output voltage drop limitation         | $I_{OUT} = 0.2A$ ;<br>$T_j = -40^\circ C$ to $150^\circ C$<br>(see <a href="#">Figure 9</a> ) |               |               |               | mV   |

1. To ensure long term reliability under heavy overload or short circuit conditions, protection and related diagnostic signals must be used together with a proper software strategy. If the device is subjected to abnormal conditions, this software must limit the duration and number of activation cycles.

**Table 10. Current sense ( $8V < V_{CC} < 16V$ )**

| Symbol           | Parameter                 | Test conditions  | Min          | Typ          | Max          | Unit |
|------------------|---------------------------|--|--------------|--------------|--------------|------|
| $K_{LED}$        | $I_{OUT}/I_{SENSE}$       | $I_{OUT} = 0.05A$ ; $V_{SENSE} = 0.5V$ ; $V_{CSD} = 0V$ ;<br>$T_j = -40^\circ C$ to $150^\circ C$                      | 1450         | 3300         | 5180         |      |
| $K_0$            | $I_{OUT}/I_{SENSE}$       | $I_{OUT} = 0.5A$ ; $V_{SENSE} = 0.5V$ ; $V_{CSD} = 0V$ ;<br>$T_j = -40^\circ C$ to $150^\circ C$                       |              | 3020         | 4360         |      |
| $K_1$            | $I_{OUT}/I_{SENSE}$       | $I_{OUT} = 2A$ ; $V_{SENSE} = 4V$ ;<br>$V_{CSD} = 0V$ ;<br>$T_j = -40^\circ C$<br>$T_j = 25^\circ C$ to $150^\circ C$  | 1940<br>2230 | 2810<br>2810 | 3740<br>3390 |      |
| $dK_1/K_1^{(1)}$ | Current sense ratio drift | $I_{OUT} = 2A$ ; $V_{SENSE} = 4V$ ; $V_{CSD} = 0V$ ;<br>$T_j = -40^\circ C$ to $150^\circ C$                           | -10          |              | +10          | %    |
| $K_2$            | $I_{OUT}/I_{SENSE}$       | $I_{OUT} = 3A$ ; $V_{SENSE} = 4V$ ;<br>$V_{CSD} = 0V$ ;<br>$T_j = -40^\circ C$<br>$T_j = 25^\circ C$ to $150^\circ C$  | 2250<br>2400 | 2790<br>2790 | 3450<br>3180 |      |
| $dK_2/K_2^{(1)}$ | Current sense ratio drift | $I_{OUT} = 3A$ ; $V_{SENSE} = 4V$ ; $V_{CSD} = 0V$ ;<br>$T_j = -40^\circ C$ to $150^\circ C$                           | -7           |              | +7           | %    |
| $K_3$            | $I_{OUT}/I_{SENSE}$       | $I_{OUT} = 10A$ ; $V_{SENSE} = 4V$ ;<br>$V_{CSD} = 0V$ ;<br>$T_j = -40^\circ C$<br>$T_j = 25^\circ C$ to $150^\circ C$ | 2610<br>2650 | 2760<br>2760 | 2970<br>2870 |      |
| $dK_3/K_3^{(1)}$ | Current sense ratio drift | $I_{OUT} = 10A$ ; $V_{SENSE} = 4V$ ; $V_{CSD} = 0V$ ;<br>$T_j = -40^\circ C$ to $150^\circ C$                          | -3           |              | +3           | %    |

Table 10. Current sense (8V < V<sub>CC</sub> < 16V) (continued)

| Symbol                 | Parameter  | Test conditions  | Min | Typ | Max | Unit |
|------------------------|--|--|-----|-----|-----|------|
| I <sub>SENSE0</sub>    | Analog sense leakage current   | I <sub>OUT</sub> = 0A; V <sub>SENSE</sub> = 0V;<br>V <sub>CSD</sub> = 5V; V <sub>IN</sub> = 0V; T <sub>j</sub> = -40°C to 150°C  | 0   |     | 1   | μA   |
|                        |  | V <sub>CSD</sub> = 0V; V <sub>IN</sub> = 5V; T <sub>j</sub> = -40°C to 150°C   | 0   |     | 2   | μA   |
|                        |  | I <sub>OUT</sub> = 2A; V <sub>SENSE</sub> = 0V;<br>V <sub>CSD</sub> = 5V; V <sub>IN</sub> = 5V; T <sub>j</sub> = -40°C to 150°C  | 0   |     | 1   | μA   |
| V <sub>SENSE</sub>     | Max analog sense output voltage  | I <sub>OUT</sub> = 3A; V <sub>CSD</sub> = 0V   | 5   |     |     | V    |
| V <sub>SENSEH</sub>    | Analog sense output voltage in overtemperature condition                                   | V <sub>CC</sub> = 13V; R <sub>SENSE</sub> = 3.9kΩ  |     | 9   |     |      |
| I <sub>SENSEH</sub>    | Analog sense output current in overtemperature condition                                   | V <sub>CC</sub> = 13V; V <sub>SENSE</sub> = 5V   |     | 8   |     | mA   |
| t <sub>DSENSE1H</sub>  | Delay response time from falling edge of CS_DIS pin  | V <sub>SENSE</sub> < 4V, 0.5 < I <sub>OUT</sub> < 10A<br>I <sub>SENSE</sub> = 90% of I <sub>SENSEMAX</sub><br>(see <a href="#">Figure 4</a> )  |     | 50  | 100 | μs   |
| t <sub>DSENSE1L</sub>  | Delay response time from rising edge of CS_DIS pin   | V <sub>SENSE</sub> < 4V, 0.5 < I <sub>OUT</sub> < 10A<br>I <sub>SENSE</sub> = 10% of I <sub>SENSEMAX</sub><br>(see <a href="#">Figure 4</a> )  |     | 5   | 20  |      |
| t <sub>DSENSE2H</sub>  | Delay response time from rising edge of INPUT pin  | V <sub>SENSE</sub> < 4V, 0.5 < I <sub>OUT</sub> < 10A<br>I <sub>SENSE</sub> = 90% of I <sub>SENSEMAX</sub><br>(see <a href="#">Figure 4</a> )  |     | 70  | 300 |      |
| Δt <sub>DSENSE2H</sub> | Delay response time between rising edge of output current and rising edge of current sense | V <sub>SENSE</sub> < 4V,<br>I <sub>SENSE</sub> = 90% of I <sub>SENSEMAX</sub> ,<br>I <sub>OUT</sub> = 90% of I <sub>OUTMAX</sub> , I <sub>OUTMAX</sub> = 3A<br>(see <a href="#">Figure 5</a> ) |     |     | 110 |      |
| t <sub>DSENSE2L</sub>  | Delay response time from falling edge of INPUT pin   | V <sub>SENSE</sub> < 4V, 0.5 < I <sub>OUT</sub> < 10A<br>I <sub>SENSE</sub> = 10% of I <sub>SENSEMAX</sub><br>(see <a href="#">Figure 4</a> )  |     | 100 | 250 |      |

1. Parameter guaranteed by design; it is not tested.

Figure 4. Current sense delay characteristics

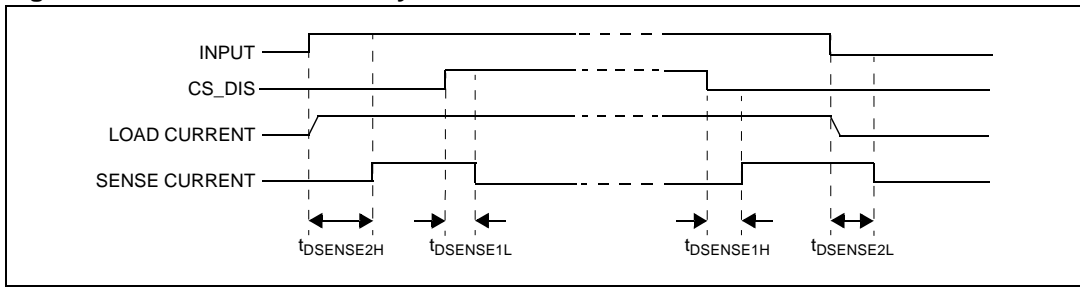


Figure 5. Delay response time between rising edge of output current and rising edge of current sense (CS enabled)

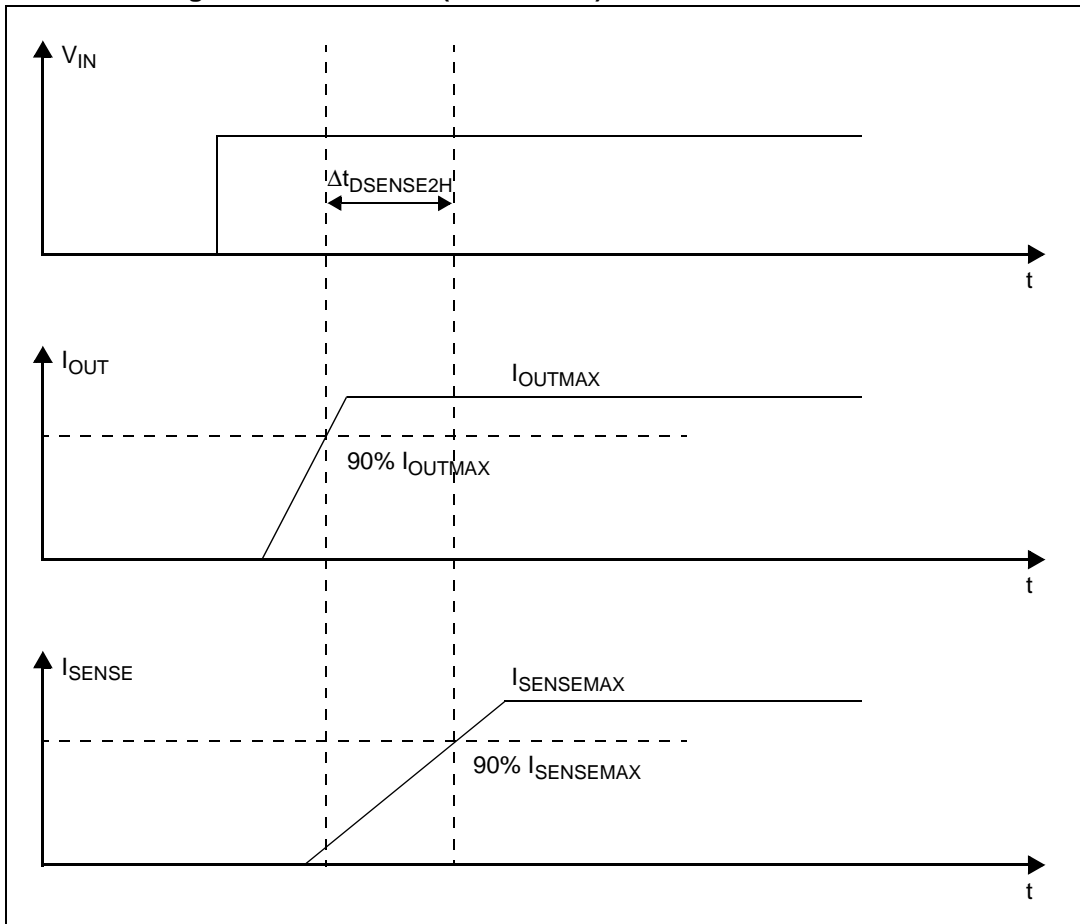
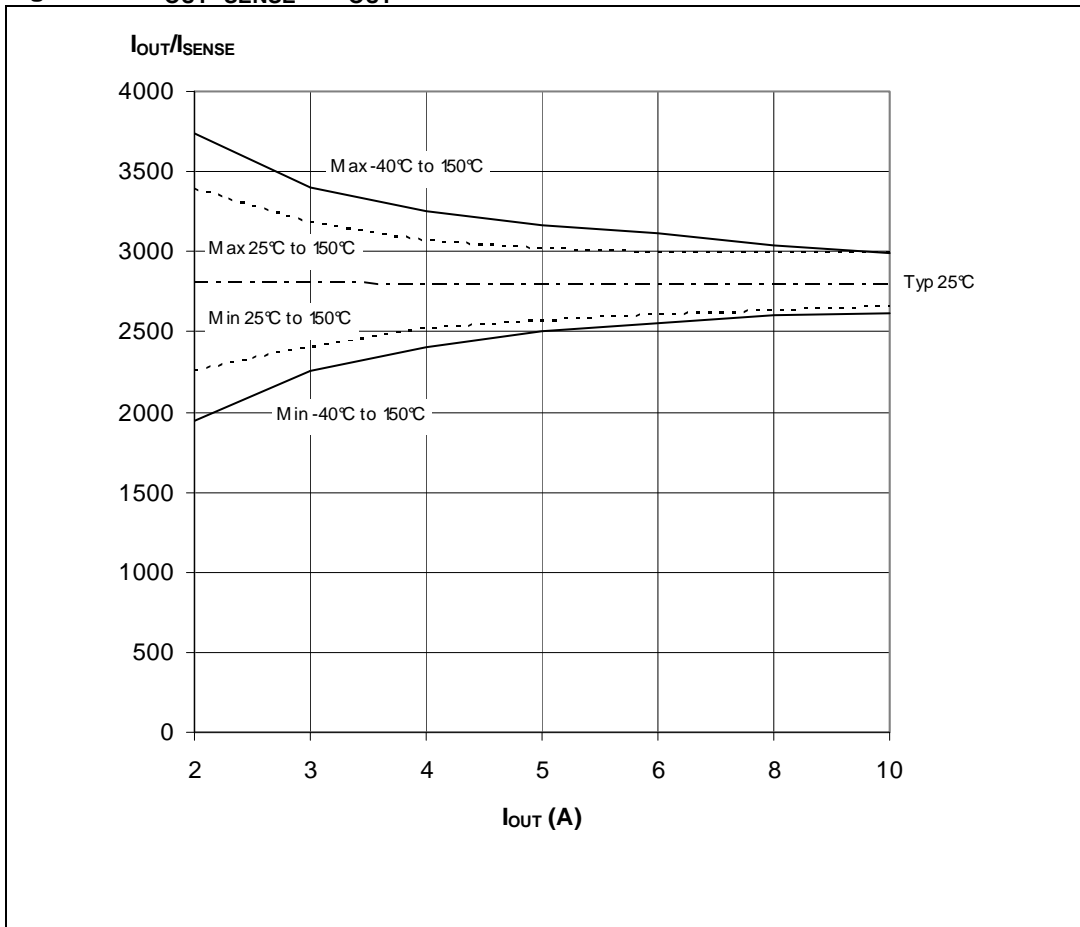


Figure 6.  $I_{OUT}/I_{SENSE}$  vs  $I_{OUT}^{(1)}$



1. See [Table 9](#) for details.

Figure 7. Maximum current sense ratio drift vs load current

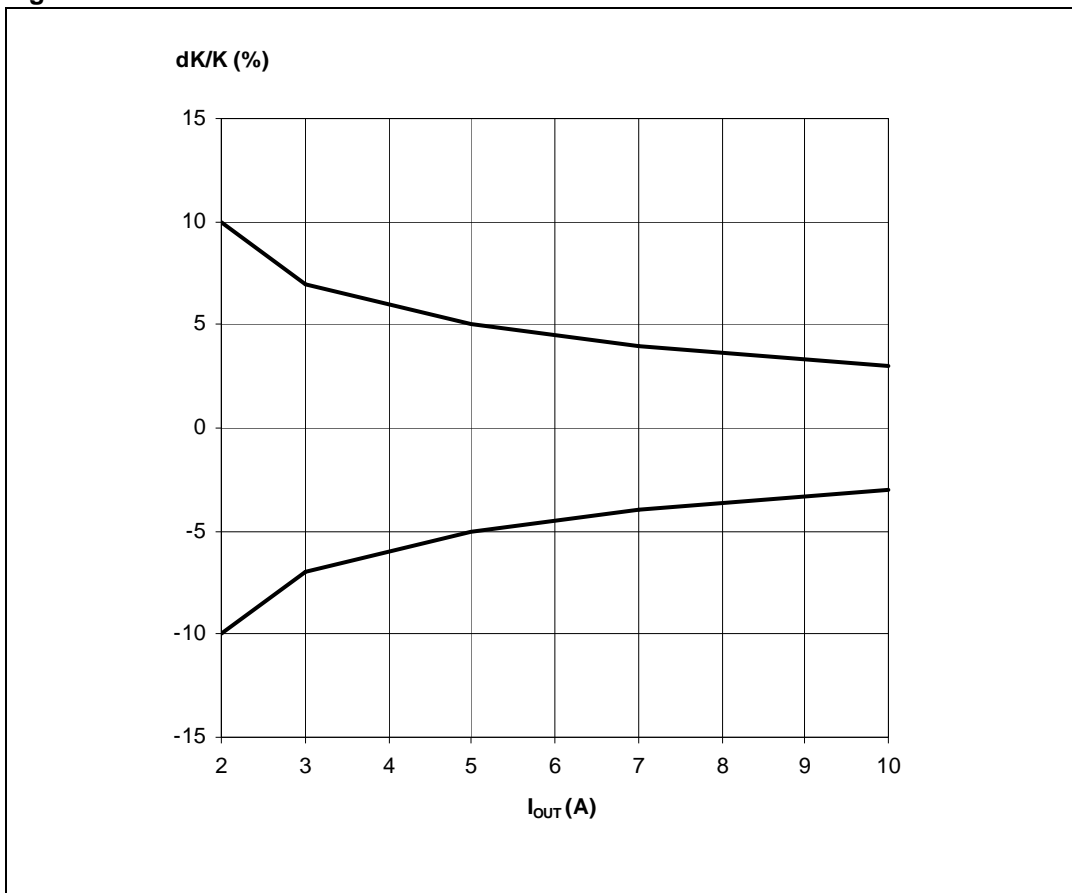


Table 11. Truth table

| Conditions                                       | Input | Output | Sense ( $V_{CSD} = 0V$ ) <sup>(1)</sup>                 |
|--|-------|--------|---|
| Normal operation                                 | L     | L      | 0   |
|  | H     | H      | Nominal   |
| Overtemperature                                  | L     | L      | 0   |
|  | H     |        | $V_{SENSEH}$  |
| Undervoltage                                     | L     | L      | 0   |
|  | H     |        | 0   |
| Short circuit to GND ( $R_{SC} \leq 10m\Omega$ ) | L     | L      | 0   |
|  | H     |        | 0 if $T_j < T_{TSD}$<br>$V_{SENSEH}$ if $T_j > T_{TSD}$ |
| Short circuit to $V_{CC}$                        | L     | H      | 0   |
|  | H     |        | < Nominal   |
| Negative output voltage clamp                    | L     | L      | 0   |

1. If the  $V_{CSD}$  is high, the SENSE output is at a high impedance; its potential depends on leakage currents and external circuit.

Figure 8. Switching characteristics

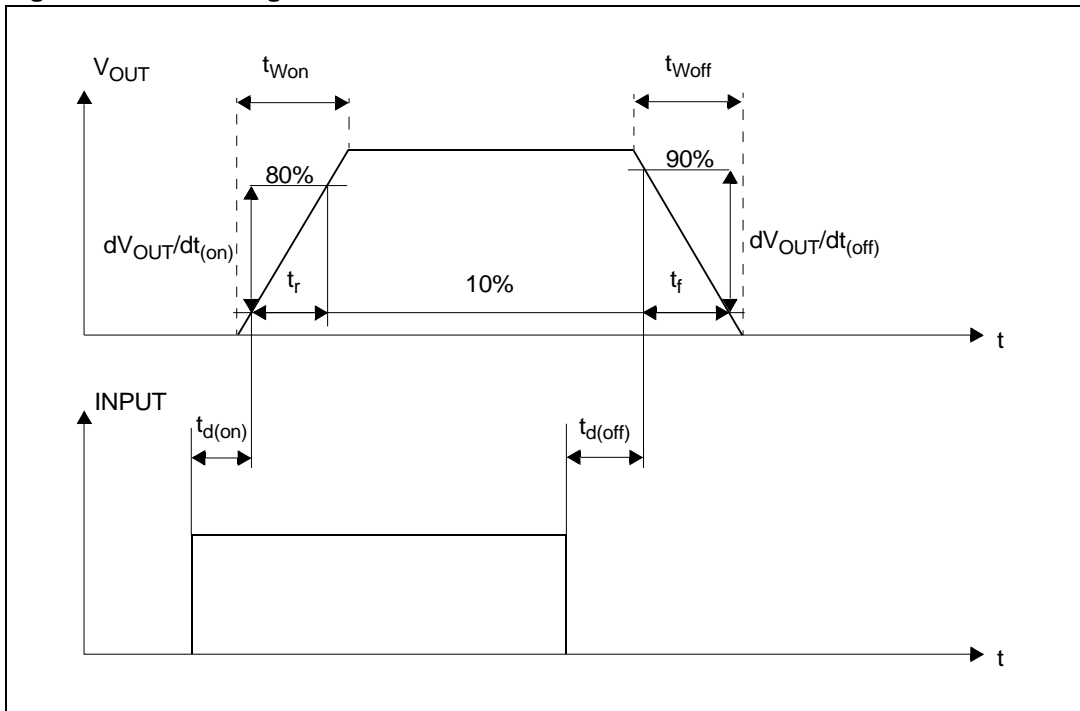
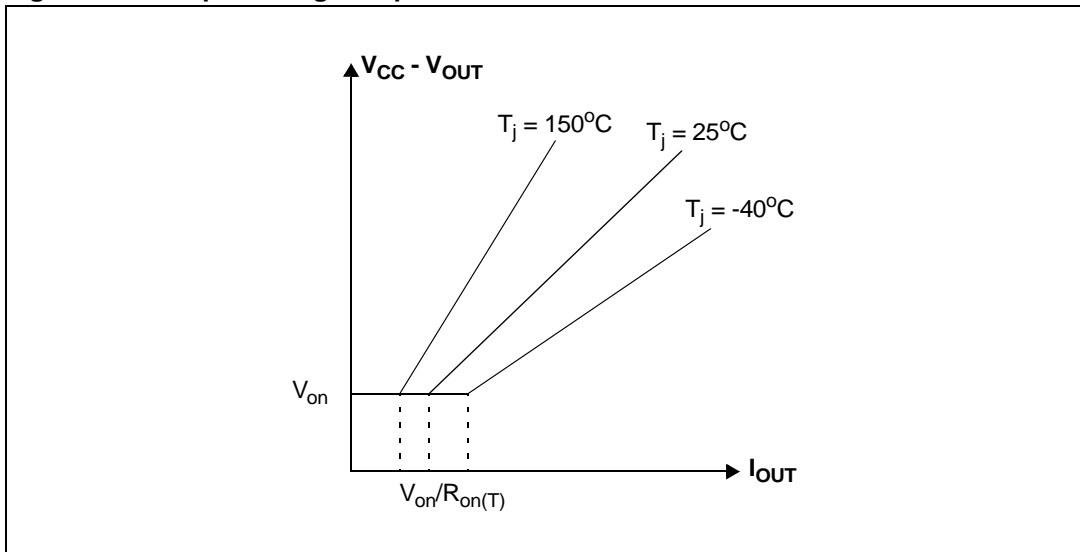


Figure 9. Output voltage drop limitation



**Table 12. Electrical transient requirements (part 1/3)**

| ISO 7637-2:<br>2004(E)<br>Test pulse | Test levels <sup>(1)</sup> |       | Number of<br>pulses or<br>test times | Burst cycle/pulse<br>repetition time |       | Delays and<br>Impedance |
|--------------------------------------|----------------------------|-------|--------------------------------------|--------------------------------------|-------|-------------------------|
|                                      | III                        | IV    |                                      | Min                                  | Max   |                         |
| 1                                    | -75V                       | -100V | 5000 pulses                          | 0.5s                                 | 5s    | 2ms, 10Ω                |
| 2a                                   | +37V                       | +50V  | 5000 pulses                          | 0.2s                                 | 5s    | 50μs, 2Ω                |
| 3a                                   | -100V                      | -150V | 1h                                   | 90ms                                 | 100ms | 0.1μs, 50Ω              |
| 3b                                   | +75V                       | +100V | 1h                                   | 90ms                                 | 100ms | 0.1μs, 50Ω              |
| 4                                    | -6V                        | -7V   | 1 pulse                              |                                      |       | 100ms, 0.01Ω            |
| 5b <sup>(2)</sup>                    | +65V                       | +87V  | 1 pulse                              |                                      |       | 400ms, 2Ω               |

1. The above test levels must be considered referred to  $V_{CC} = 13.5V$  except for pulse 5b.
2. Valid in case of external load dump clamp: 40V maximum referred to ground.

**Table 13. Electrical transient requirements (part 2/3)**

| ISO 7637-2:<br>2004E<br>Test pulse | Test level results |    |
|------------------------------------|--------------------|----|
|                                    | III                | VI |
| 1                                  | C                  | C  |
| 2a                                 | C                  | C  |
| 3a                                 | C                  | C  |
| 3b                                 | C                  | C  |
| 4                                  | C                  | C  |
| 5b <sup>(1)</sup>                  | C                  | C  |

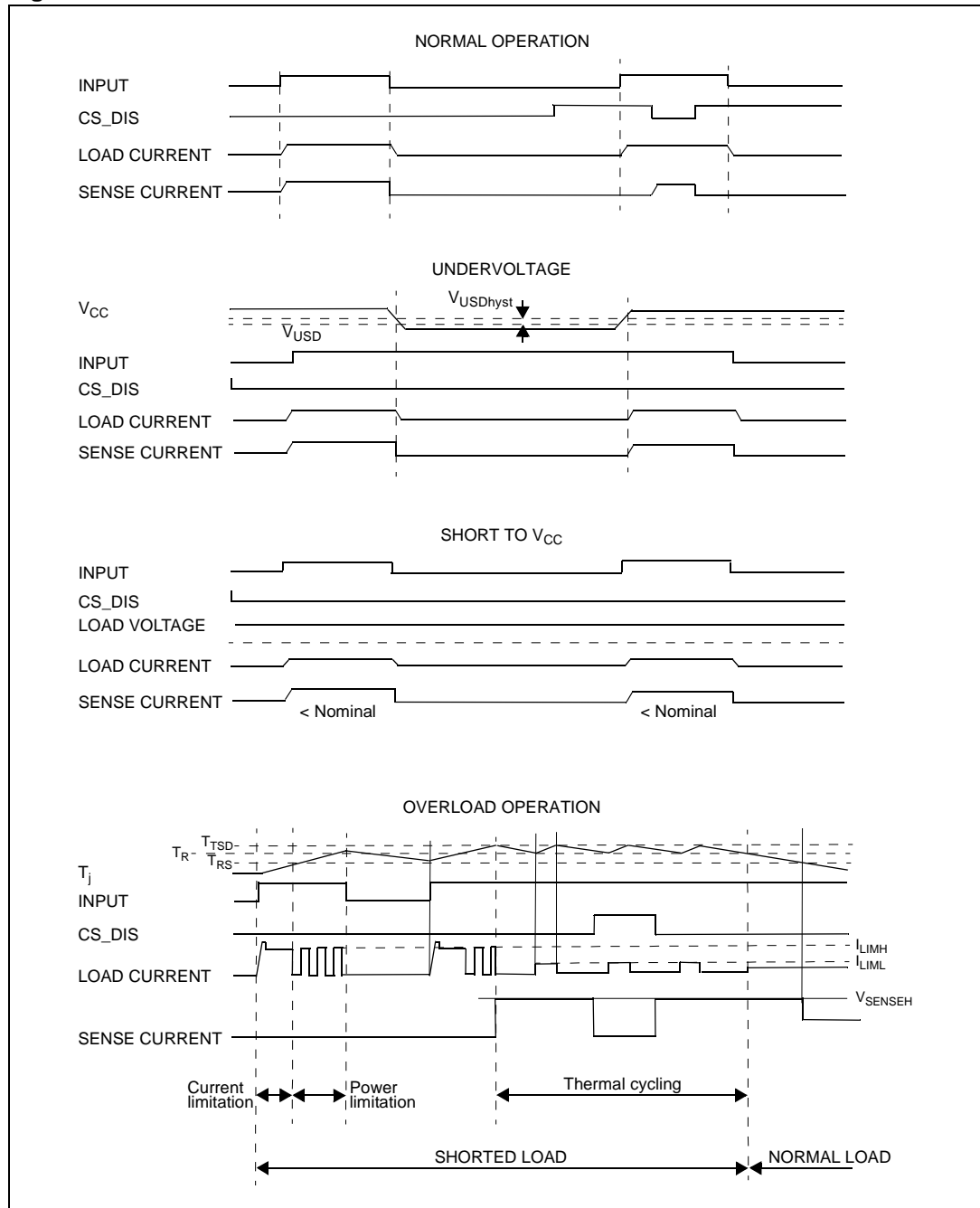
1. Valid in case of external load dump clamp: 40V maximum referred to ground.

**Table 14. Electrical transient requirements (part 3/3)**

| Class | Contents  |
|-------|---|
| C     | All functions of the device <b>performed</b> as designed after exposure to disturbance.   |
| E     | One or more functions of the device <b>did not</b> perform as designed after exposure to disturbance and cannot be returned to proper operation without replacing the device. |



Figure 10. Waveforms



## 2.4 Electrical characteristics curves

Figure 11. Off-state output current

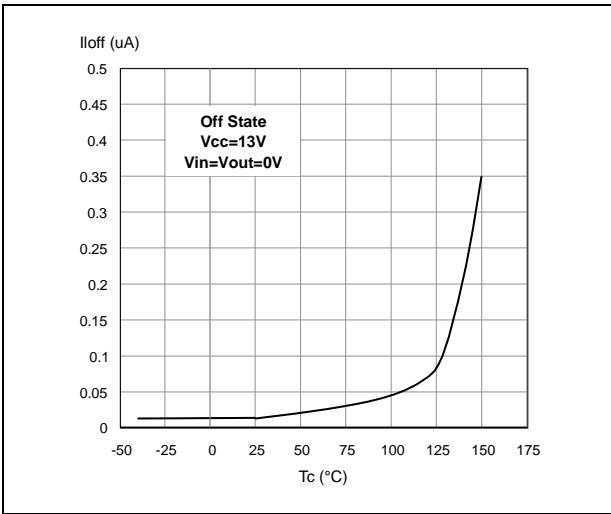


Figure 12. High level input current

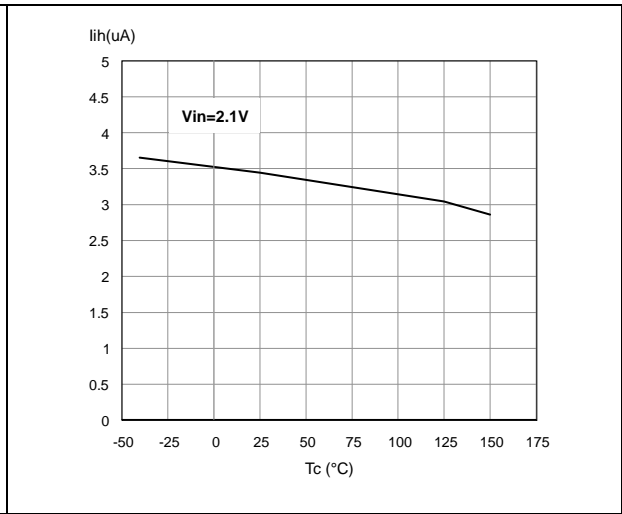


Figure 13. Input clamp voltage

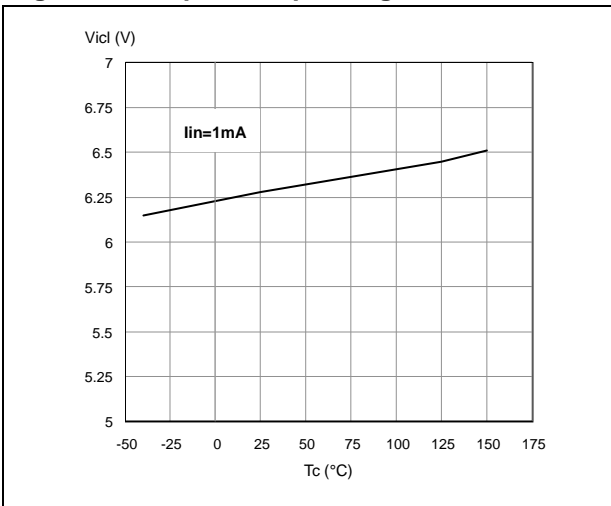


Figure 14. Input high level

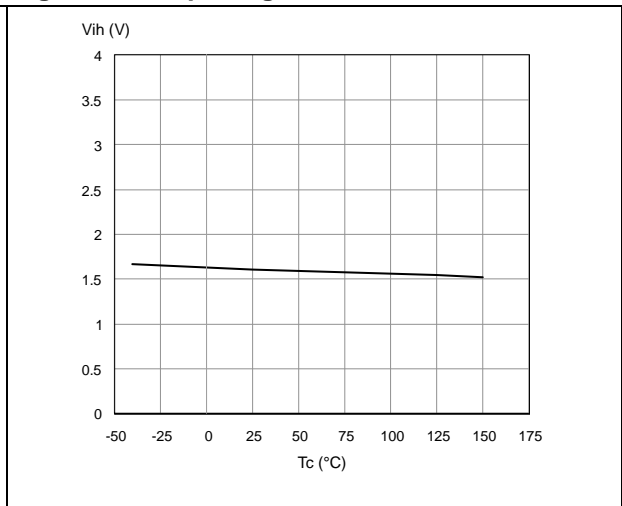


Figure 15. Input low level

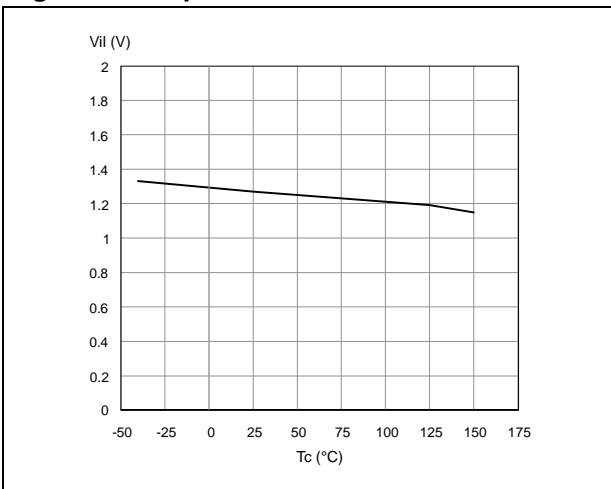


Figure 16. Input hysteresis voltage

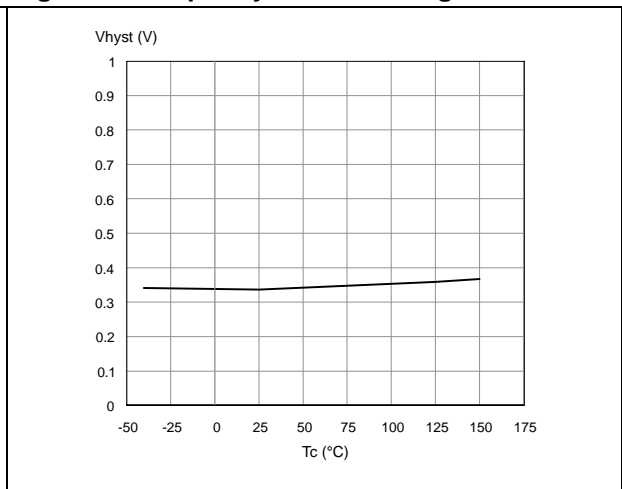


Figure 17. On-state resistance vs  $T_{case}$

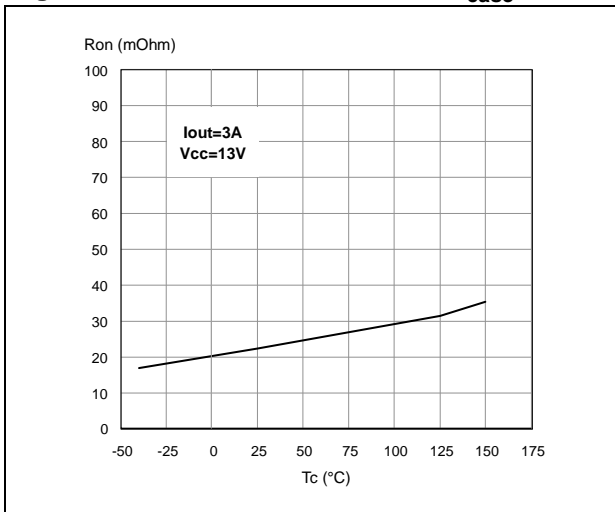


Figure 18. On-state resistance vs  $V_{CC}$

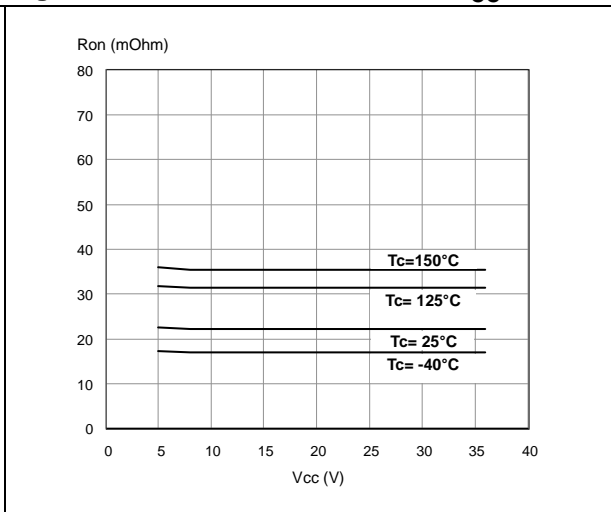


Figure 19. Undervoltage shutdown

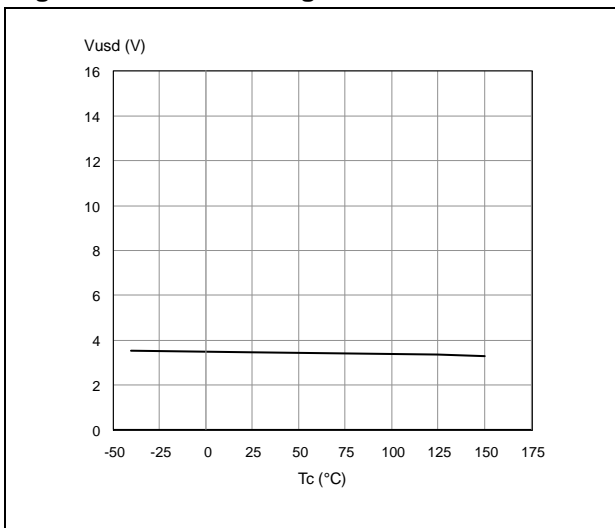


Figure 20.  $I_{LIMH}$  vs  $T_{case}$

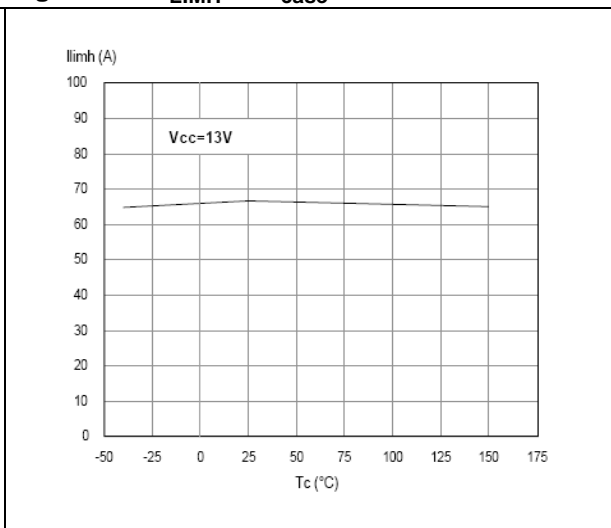


Figure 21. Turn-on voltage slope

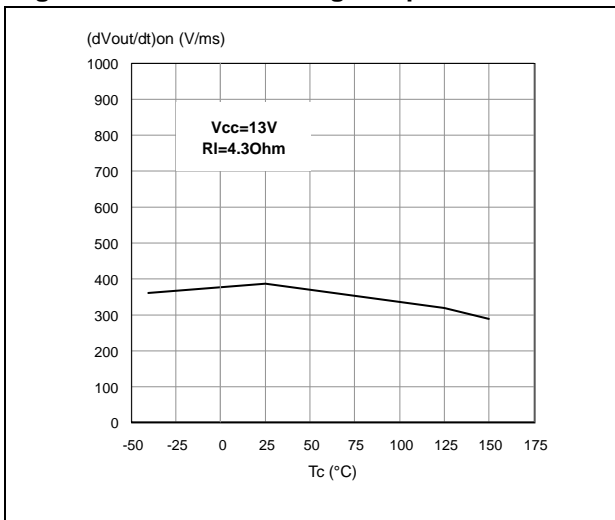


Figure 22. Turn-off voltage slope

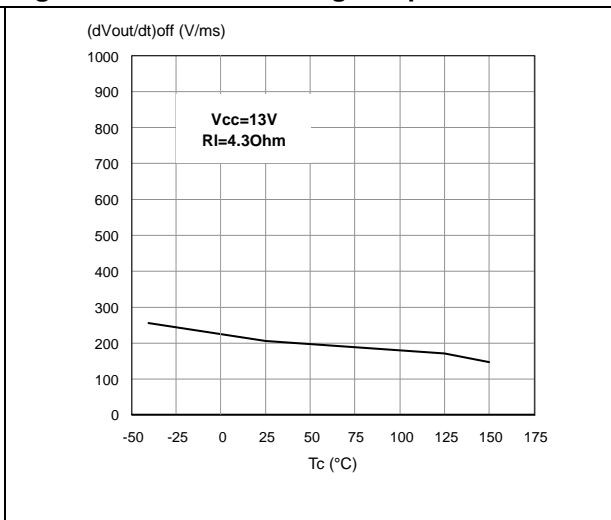


Figure 23. CS\_DIS high level voltage

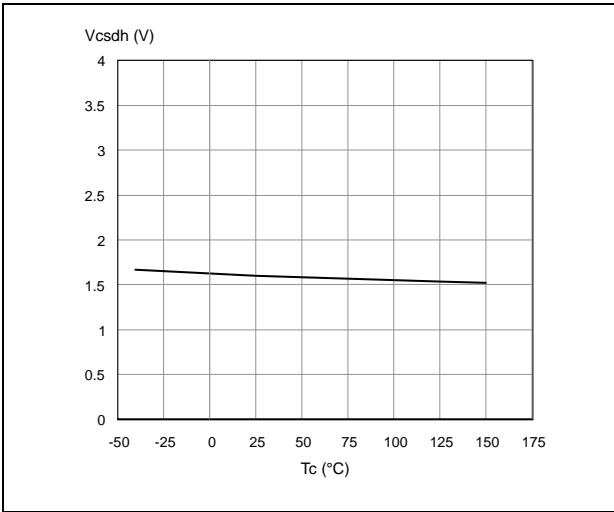


Figure 24. CS\_DIS low level voltage

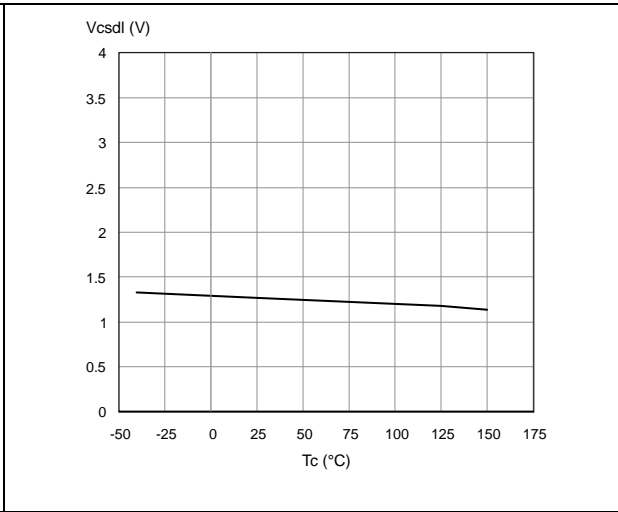
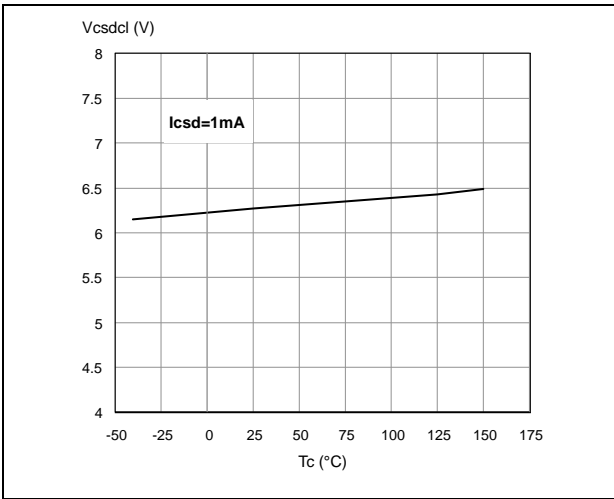
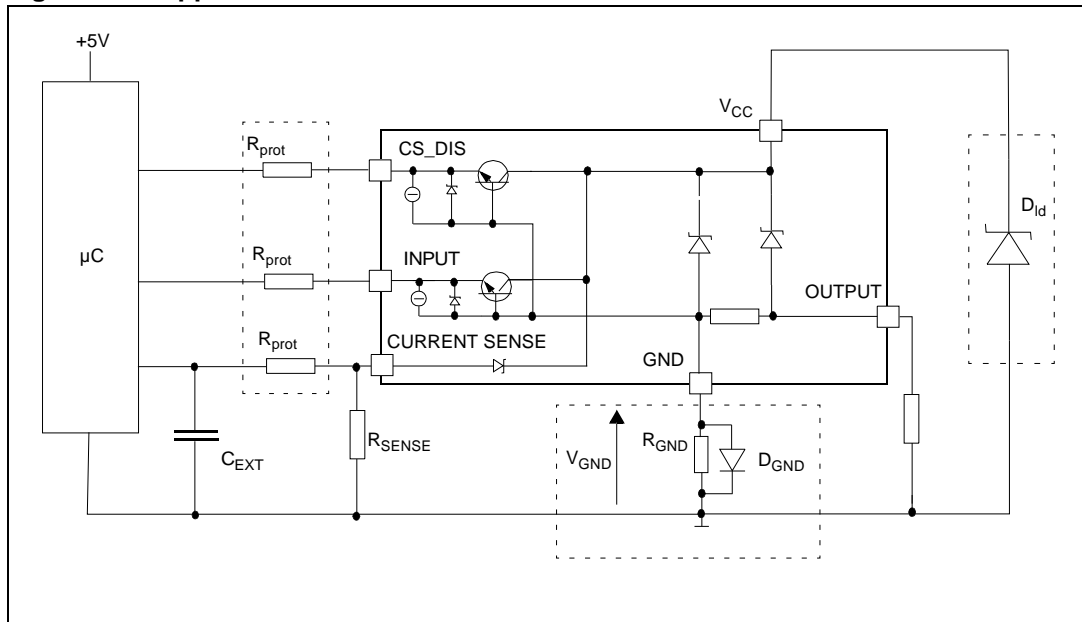


Figure 25. CS\_DIS clamp voltage



### 3 Application information

Figure 26. Application schematic<sup>(1)</sup>



1. Channel 2 has the same internal circuit as channel 1

#### 3.1 GND protection network against reverse battery

This section provides two solutions for implementing a ground protection network against reverse battery.

##### 3.1.1 Solution 1: Resistor in the ground line ( $R_{GND}$ only)

This first solution can be used with any type of load.

The following formulas indicate how to dimension the  $R_{GND}$  resistor:

1.  $R_{GND} \leq 600\text{mV} / (I_{S(on)max})$
2.  $R_{GND} \geq (-V_{CC}) / (-I_{GND})$

where  $-I_{GND}$  is the DC reverse ground pin current and can be found in the absolute maximum rating section of the device datasheet.

Power Dissipation in  $R_{GND}$  (when  $V_{CC} < 0$  during reverse battery situations) is:

$$P_D = (-V_{CC})^2 / R_{GND}$$

This resistor can be shared among several different HSDs. Please note that the value of this resistor is calculated with formula (1), where  $I_{S(on)max}$  becomes the sum of the maximum on-state currents of the different devices.

Please note that if the microprocessor ground is not shared by the device ground, the  $R_{GND}$  produces a shift ( $I_{S(on)max} * R_{GND}$ ) in the input thresholds and the status output values. This shift varies depending on how many devices are ON in the case of several high-side drivers sharing the same  $R_{GND}$ .

If the calculated power dissipation leads to a large resistor or several devices have to share the same resistor, then ST suggests to utilize the following Solution 2.

### 3.1.2 Solution 2: Diode ( $D_{GND}$ ) in the ground line

If the device drives an inductive load, insert a resistor ( $R_{GND} = 1k\Omega$ ) in parallel to  $D_{GND}$ .

This small signal diode can be safely shared among several different HSDs. Also in this case, the presence of the ground network produces a shift ( $\approx 600mV$ ) in the input threshold and in the status output values if the microprocessor ground is not common to the device ground. This shift does not vary if more than one HSD shares the same diode/resistor network.

## 3.2 Load dump protection

$D_{ld}$  is necessary (Voltage Transient Suppressor) if the load dump peak voltage exceeds the  $V_{CC}$  maximum DC rating. The same applies if the device is subject to transients on the  $V_{CC}$  line that are greater than the ones shown in the ISO 7637-2:2004E table.

## 3.3 Microcontroller I/Os protection

If a ground protection network is used and negative transients are present on the  $V_{CC}$  line, the control pins are pulled negative. ST suggests to insert an in-line resistor ( $R_{prot}$ ) to prevent the  $\mu C$  I/Os pins from latch-up.

The value of these resistors is a compromise between the leakage current of  $\mu C$  and the current required by the HSD I/Os (input levels compatibility) with the latch-up limit of  $\mu C$  I/Os.

$$-V_{CCpeak}/I_{latchup} \leq R_{prot} \leq (V_{OH\mu C} - V_{IH} - V_{GND}) / I_{IHmax}$$

Calculation example:

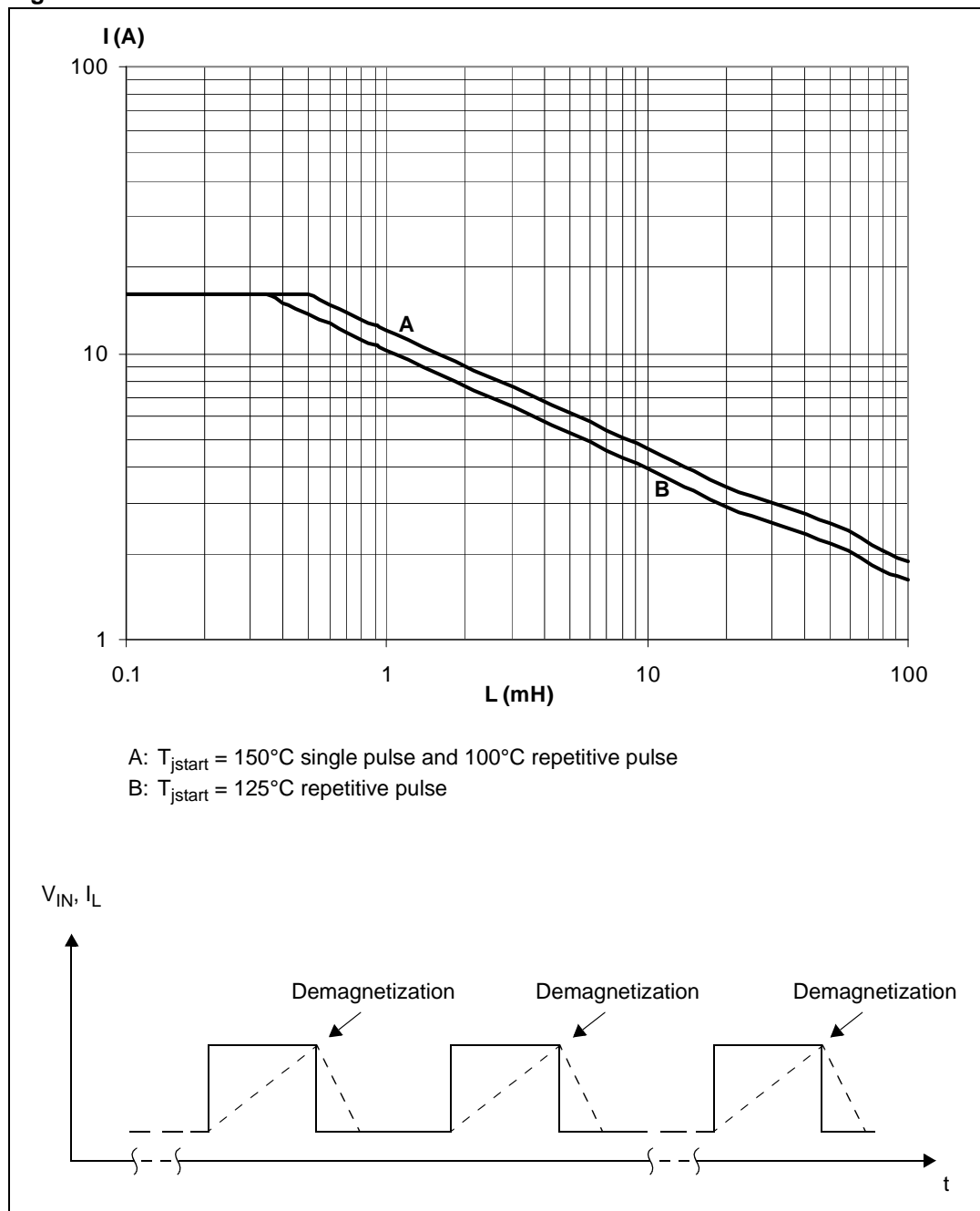
$$\text{For } V_{CCpeak} = -100V \text{ and } I_{latchup} \geq 20mA; V_{OH\mu C} \geq 4.5V$$

$$5k\Omega \leq R_{prot} \leq 65k\Omega$$

$$\text{Recommended values: } R_{prot} = 10k\Omega, C_{EXT} = 10nF$$

### 3.4 Maximum demagnetization energy ( $V_{CC} = 13.5V$ )

Figure 27. Maximum turn-off current versus inductance<sup>(1)</sup>



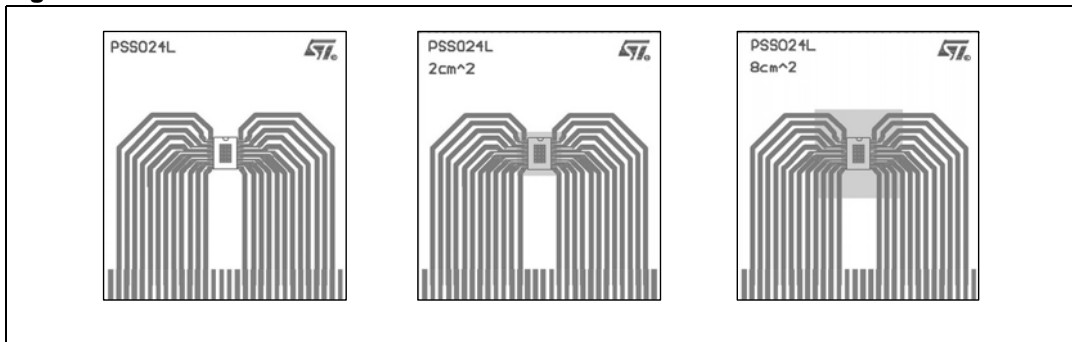
A:  $T_{jstart} = 150^{\circ}C$  single pulse and  $100^{\circ}C$  repetitive pulse  
 B:  $T_{jstart} = 125^{\circ}C$  repetitive pulse

1. Values are generated with  $R_L = 0\Omega$   
 In case of repetitive pulses,  $T_{jstart}$  (at beginning of each demagnetization) of every pulse must not exceed the temperature specified above for curves A and B.

## 4 Package and thermal data

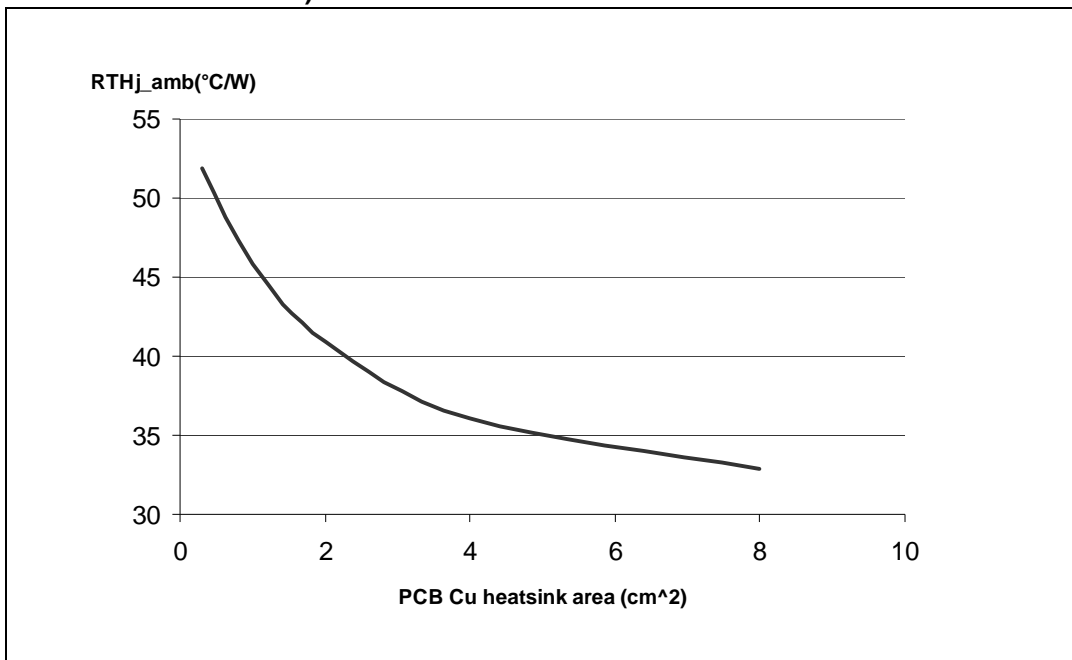
### 4.1 PowerSSO-24™ thermal data

Figure 28. PowerSSO-24™ PC board<sup>(1)</sup>



1. Layout condition of  $R_{th}$  and  $Z_{th}$  measurements (PCB: Double layer, Thermal Vias, FR4 area = 77mm x 86mm, PCB thickness = 1.6mm, Cu thickness = 70µm (front and back side), Copper areas: from minimum pad layout to 8cm<sup>2</sup>).

Figure 29.  $R_{thj-amb}$  vs PCB copper area in open box free air condition (with one channel ON)





**Equation 1: pulse calculation formula**

$$Z_{TH\delta} = R_{TH} \cdot \delta + Z_{THtp} (1 - \delta)$$

where  $\delta = t_p/T$

**Figure 30. PowerSSO-24™ thermal impedance junction to ambient single pulse (with one channel ON)**

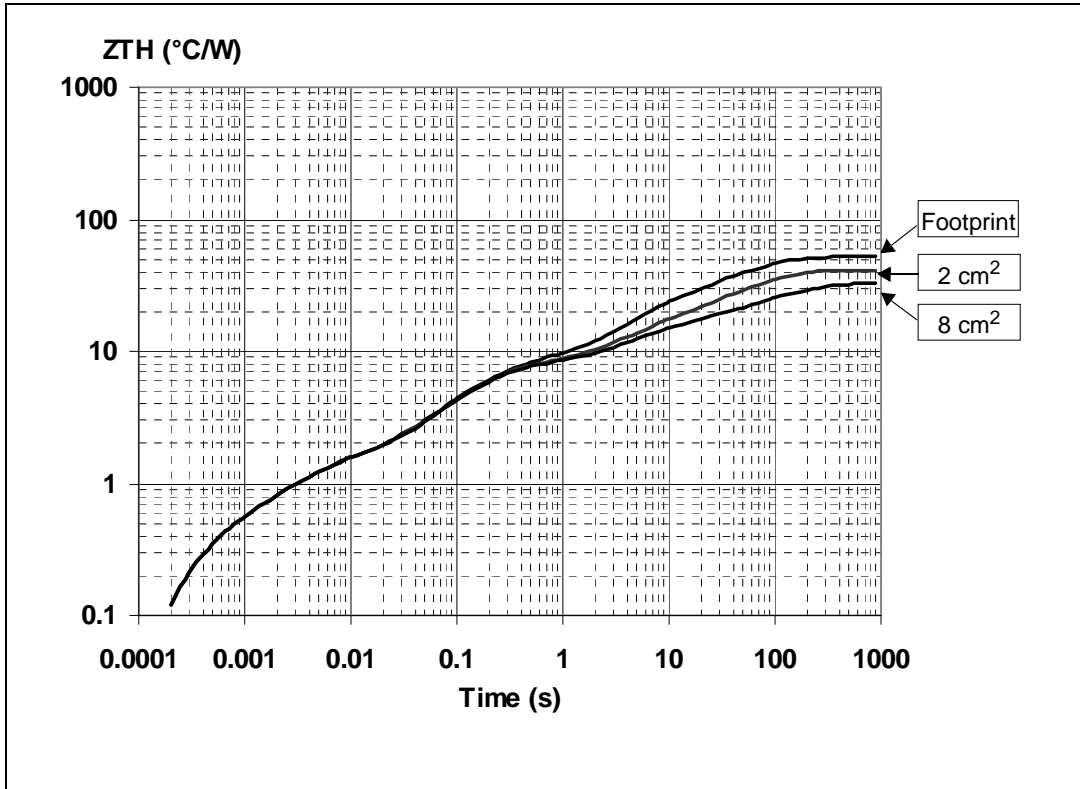
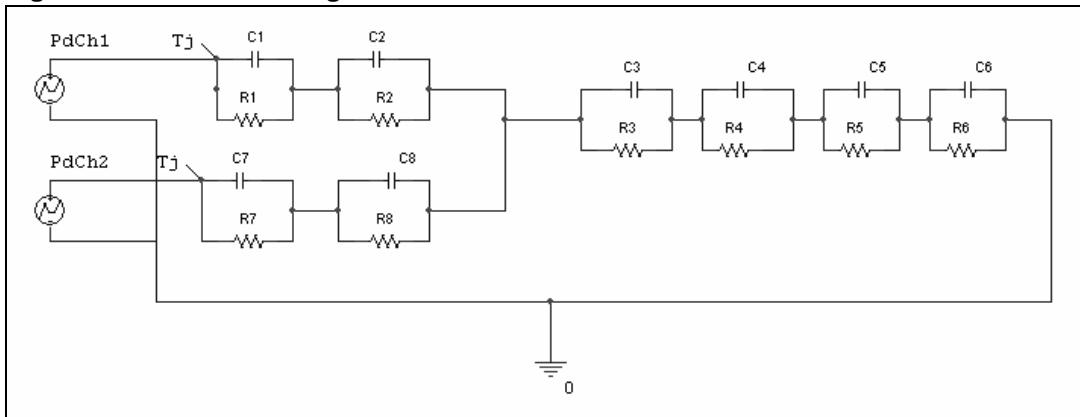


Figure 31. Thermal fitting model of a double channel HSD in PowerSSO-24™(1)



1. Values are given in [Table 12](#)

Table 15. Thermal parameters

| Area/Island (cm <sup>2</sup> ) | Footprint | 2  | 8  |
|--------------------------------|-----------|----|----|
| R1 (°C/W)                      | 0.28      |    |    |
| R2 (°C/W)                      | 0.9       |    |    |
| R3 (°C/W)                      | 6         |    |    |
| R4 (°C/W)                      | 7.7       |    |    |
| R5 (°C/W)                      | 9         | 9  | 8  |
| R6 (°C/W)                      | 28        | 17 | 10 |
| R7 (°C/W)                      | 0.28      |    |    |
| R8 (°C/W)                      | 0.9       |    |    |
| C1 (W.s/°C)                    | 0.001     |    |    |
| C2 (W.s/°C)                    | 0.003     |    |    |
| C3 (W.s/°C)                    | 0.025     |    |    |
| C4 (W.s/°C)                    | 0.75      |    |    |
| C5 (W.s/°C)                    | 1         | 4  | 9  |
| C6 (W.s/°C)                    | 2.2       | 5  | 17 |
| C7 (W.s/°C)                    | 0.001     |    |    |
| C8 (W.s/°C)                    | 0.003     |    |    |

## 5 Package and packing information

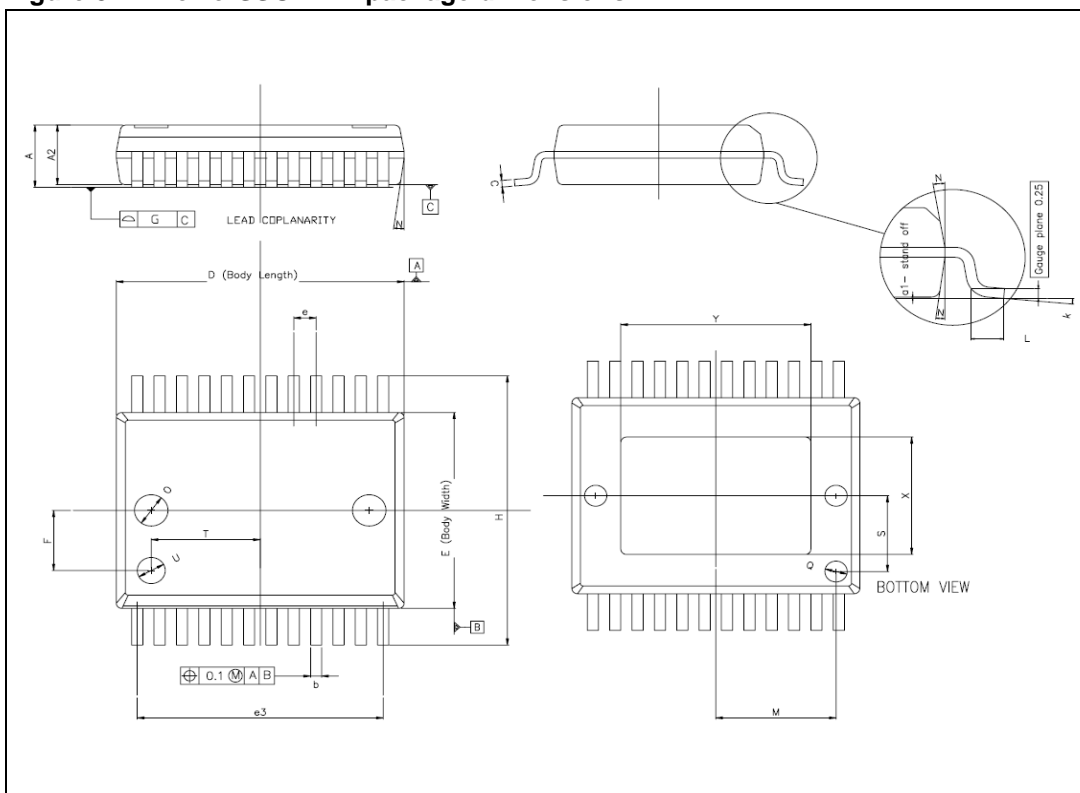
### 5.1 ECOPACK<sup>®</sup> packages

In order to meet environmental requirements, ST offers these devices in different grades of ECOPACK<sup>®</sup> packages, depending on their level of environmental compliance. ECOPACK<sup>®</sup> specifications, grade definitions and product status are available at: [www.st.com](http://www.st.com).

ECOPACK<sup>®</sup> is an ST trademark.

### 5.2 PowerSSO-24 mechanical data

Figure 32. PowerSSO-24<sup>™</sup> package dimensions



### 5.3 Package mechanical

Table 16. PowerSSO-24™ mechanical data

| Symbol | Millimeters |      |       |
|--------|-------------|------|-------|
|        | Min         | Typ  | Max   |
| A      |             |      | 2.45  |
| A2     | 2.15        |      | 2.35  |
| a1     | 0           |      | 0.1   |
| b      | 0.33        |      | 0.51  |
| c      | 0.23        |      | 0.32  |
| D      | 10.10       |      | 10.50 |
| E      | 7.4         |      | 7.6   |
| e      |             | 0.8  |       |
| e3     |             | 8.8  |       |
| F      |             | 2.3  |       |
| G      |             |      | 0.1   |
| H      | 10.1        |      | 10.5  |
| h      |             |      | 0.4   |
| k      | 0°          |      | 8°    |
| L      | 0.55        |      | 0.85  |
| O      |             | 1.2  |       |
| Q      |             | 0.8  |       |
| S      |             | 2.9  |       |
| T      |             | 3.65 |       |
| U      |             | 1.0  |       |
| N      |             |      | 10°   |
| X      | 4.1         |      | 4.7   |
| Y      | 6.5         |      | 7.1   |

### 5.4 Packing information

Figure 33. PowerSSO-24™ tube shipment (no suffix)

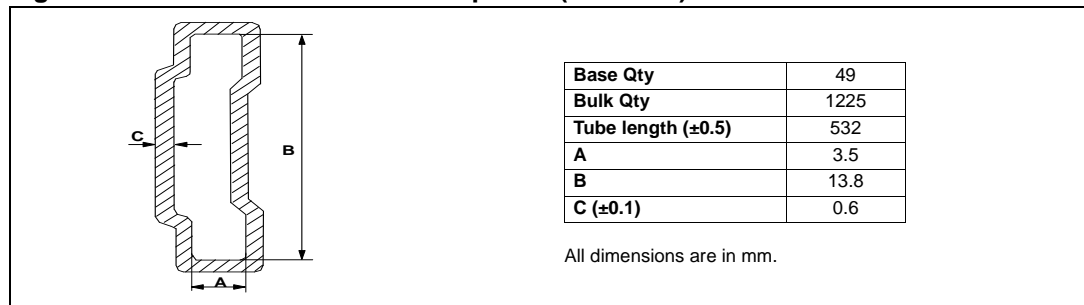
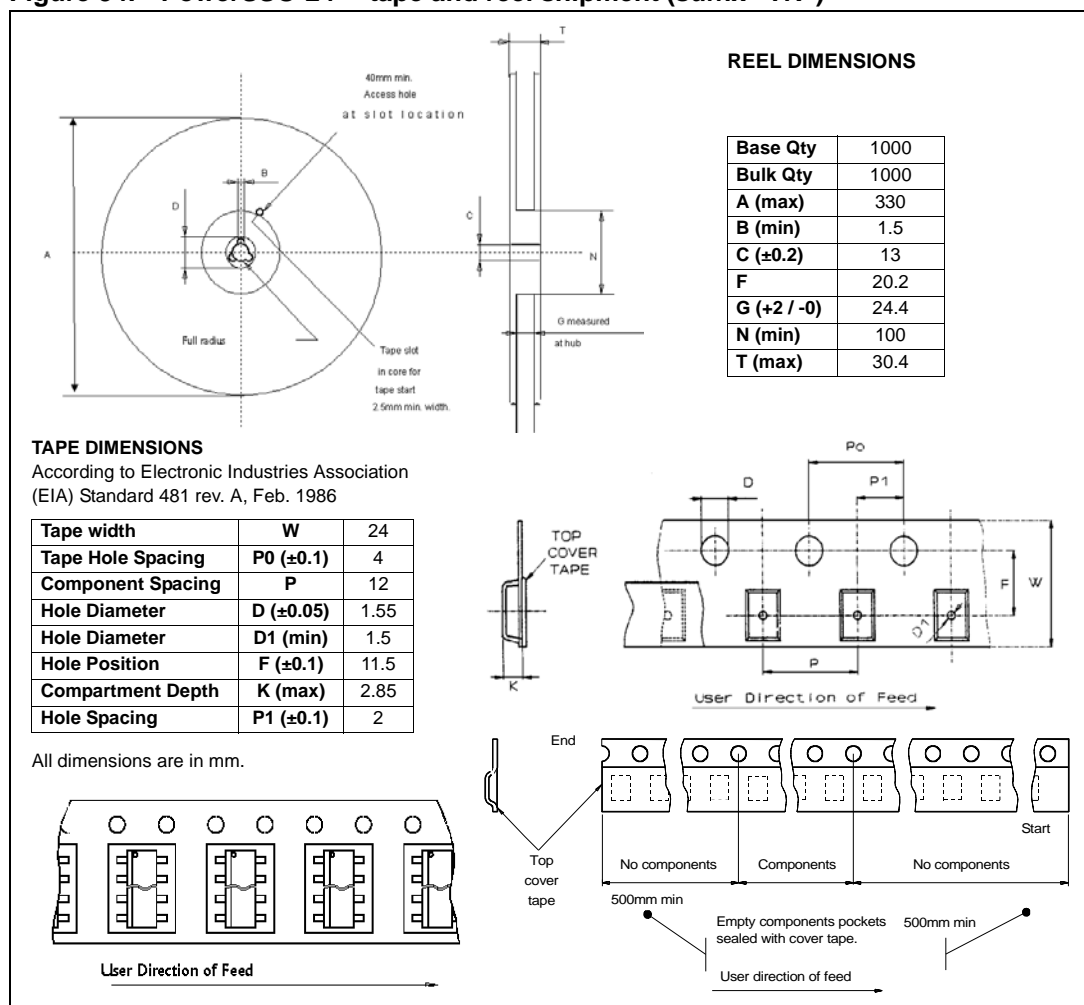


Figure 34. PowerSSO-24™ tape and reel shipment (suffix “TR”)



## 6 Revision history

Table 17. Document revision history

| Date        | Revision | Changes   |
|-------------|----------|---|
| 16-Feb-2007 | 1        | Initial release   |
| 23-Feb-2007 | 2        | <i>Figure 10: Current sense (8V &lt; VCC &lt; 16V)</i> : error in dK3/K3 current sense ratio drift row corrected.   |
| 28-Mar-2007 | 3        | Protection section updated to correct editing error.  |
| 02-Jul-2009 | 4        | Updated <i>Table 16: PowerSSO-24™ mechanical data</i>   |
| 23-Jul-2009 | 5        | Updated <i>Figure 32: PowerSSO-24™ package dimensions</i> .<br>Updated <i>Table 16: PowerSSO-24™ mechanical data</i> : <ul style="list-style-type: none"><li>– Deleted G1 row</li><li>– Added O, Q, S, T and U rows</li></ul> |
| 20-Sep-2013 | 6        | Updated disclaimer.   |

**Please Read Carefully:**

Information in this document is provided solely in connection with ST products. STMicroelectronics NV and its subsidiaries ("ST") reserve the right to make changes, corrections, modifications or improvements, to this document, and the products and services described herein at any time, without notice.

All ST products are sold pursuant to ST's terms and conditions of sale.

Purchasers are solely responsible for the choice, selection and use of the ST products and services described herein, and ST assumes no liability whatsoever relating to the choice, selection or use of the ST products and services described herein.

No license, express or implied, by estoppel or otherwise, to any intellectual property rights is granted under this document. If any part of this document refers to any third party products or services it shall not be deemed a license grant by ST for the use of such third party products or services, or any intellectual property contained therein or considered as a warranty covering the use in any manner whatsoever of such third party products or services or any intellectual property contained therein.

**UNLESS OTHERWISE SET FORTH IN ST'S TERMS AND CONDITIONS OF SALE ST DISCLAIMS ANY EXPRESS OR IMPLIED WARRANTY WITH RESPECT TO THE USE AND/OR SALE OF ST PRODUCTS INCLUDING WITHOUT LIMITATION IMPLIED WARRANTIES OF MERCHANTABILITY, FITNESS FOR A PARTICULAR PURPOSE (AND THEIR EQUIVALENTS UNDER THE LAWS OF ANY JURISDICTION), OR INFRINGEMENT OF ANY PATENT, COPYRIGHT OR OTHER INTELLECTUAL PROPERTY RIGHT.**

**ST PRODUCTS ARE NOT DESIGNED OR AUTHORIZED FOR USE IN: (A) SAFETY CRITICAL APPLICATIONS SUCH AS LIFE SUPPORTING, ACTIVE IMPLANTED DEVICES OR SYSTEMS WITH PRODUCT FUNCTIONAL SAFETY REQUIREMENTS; (B) AERONAUTIC APPLICATIONS; (C) AUTOMOTIVE APPLICATIONS OR ENVIRONMENTS, AND/OR (D) AEROSPACE APPLICATIONS OR ENVIRONMENTS. WHERE ST PRODUCTS ARE NOT DESIGNED FOR SUCH USE, THE PURCHASER SHALL USE PRODUCTS AT PURCHASER'S SOLE RISK, EVEN IF ST HAS BEEN INFORMED IN WRITING OF SUCH USAGE, UNLESS A PRODUCT IS EXPRESSLY DESIGNATED BY ST AS BEING INTENDED FOR "AUTOMOTIVE, AUTOMOTIVE SAFETY OR MEDICAL" INDUSTRY DOMAINS ACCORDING TO ST PRODUCT DESIGN SPECIFICATIONS. PRODUCTS FORMALLY ESCC, QML OR JAN QUALIFIED ARE DEEMED SUITABLE FOR USE IN AEROSPACE BY THE CORRESPONDING GOVERNMENTAL AGENCY.**

Resale of ST products with provisions different from the statements and/or technical features set forth in this document shall immediately void any warranty granted by ST for the ST product or service described herein and shall not create or extend in any manner whatsoever, any liability of ST.

ST and the ST logo are trademarks or registered trademarks of ST in various countries.

Information in this document supersedes and replaces all information previously supplied.

The ST logo is a registered trademark of STMicroelectronics. All other names are the property of their respective owners.

© 2013 STMicroelectronics - All rights reserved

STMicroelectronics group of companies

Australia - Belgium - Brazil - Canada - China - Czech Republic - Finland - France - Germany - Hong Kong - India - Israel - Italy - Japan - Malaysia - Malta - Morocco - Philippines - Singapore - Spain - Sweden - Switzerland - United Kingdom - United States of America

[www.st.com](http://www.st.com)