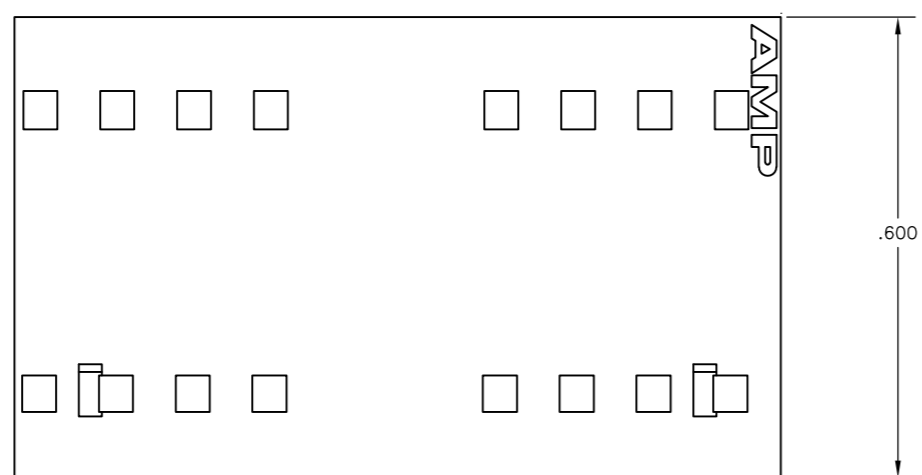
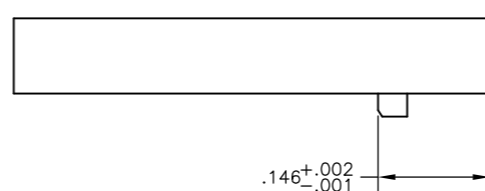
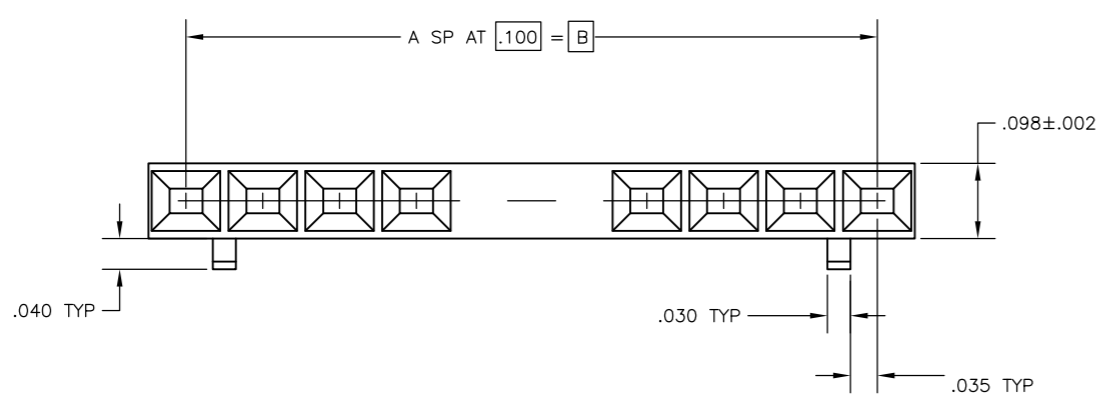
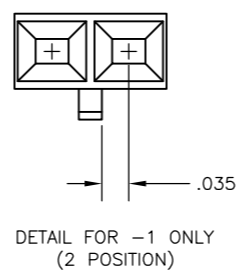
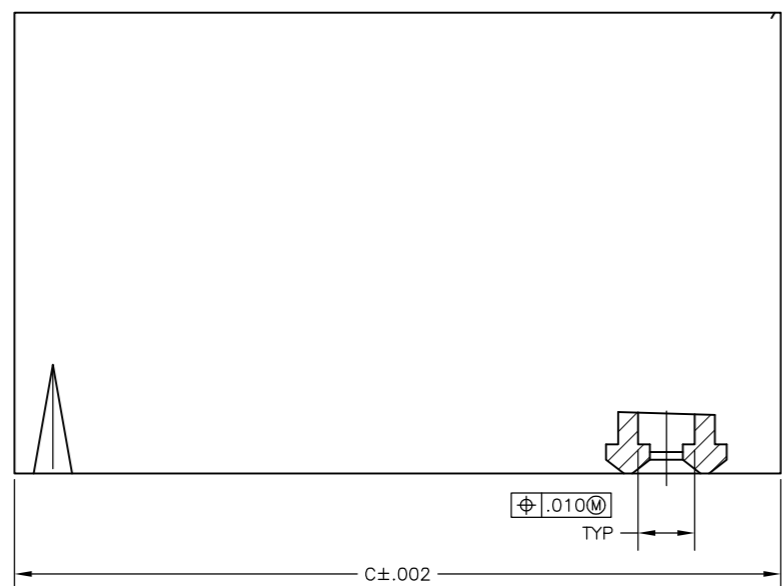


THIS DRAWING IS UNPUBLISHED. RELEASED FOR PUBLICATION
 © COPYRIGHT - By - ALL RIGHTS RESERVED.

LOC	DIST	REVISIONS			
P	LTR	DESCRIPTION	DATE	DWN	APVD
AD	00				
	K1	REVISED PER ECO-11-004587	11MAR11	RK	HMR



2.498	24	25	2-103648-4
2.398	23	24	2-103648-3
2.298	22	23	2-103648-2
2.198	21	22	2-103648-1
2.098	20	21	2-103648-0
1.998	19	20	1-103648-9
1.898	18	19	1-103648-8
1.798	17	18	1-103648-7
1.698	16	17	1-103648-6
1.598	15	16	1-103648-5
1.498	14	15	1-103648-4
1.398	13	14	1-103648-3
1.298	12	13	1-103648-2
1.198	11	12	1-103648-1
1.098	10	11	1-103648-0
.998	9	10	103648-9
.898	8	9	103648-8
.798	7	8	103648-7
.698	6	7	103648-6
.598	5	6	103648-5
.498	4	5	103648-4
.398	3	4	103648-3
.298	2	3	103648-2
.198	1	2	103648-1
C	NO OF SP	NO OF POSN	PART NUMBER

THIS DRAWING IS A CONTROLLED DOCUMENT.		DWN M PASTEL 16DEC87	TE TE Connectivity	
DIMENSIONS: INCHES		CHK P DeJOHN 16DEC88		
TOLERANCES UNLESS OTHERWISE SPECIFIED:		APVD P DeJOHN 16DEC88	NAME	
0 PLC ± -		PRODUCT SPEC	RECEPTACLE HOUSING, AMPMODU MTE, ®	
1 PLC ± -		APPLICATION SPEC	SINGLE ROW, .100 CL, WITH GUIDE RIBS	
2 PLC ± -		WEIGHT -	SIZE A2	CAGE CODE 00779
3 PLC ± .005		CUSTOMER DRAWING	DRAWING NO C=103648	RESTRICTED TO -
4 PLC ± -		SCALE 4:1	SHEET 1 OF 1	REV K1
ANGLES ± -				
MATERIAL FLAME RETARDANT THERMOPLASTIC; COLOR: BLACK				
FINISH -				