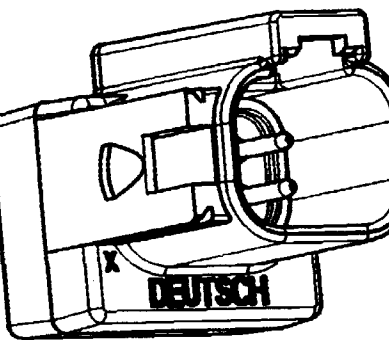
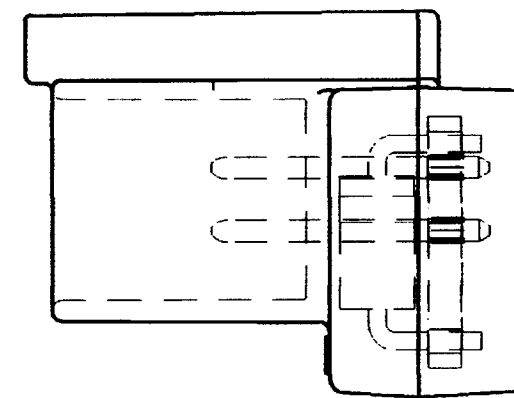
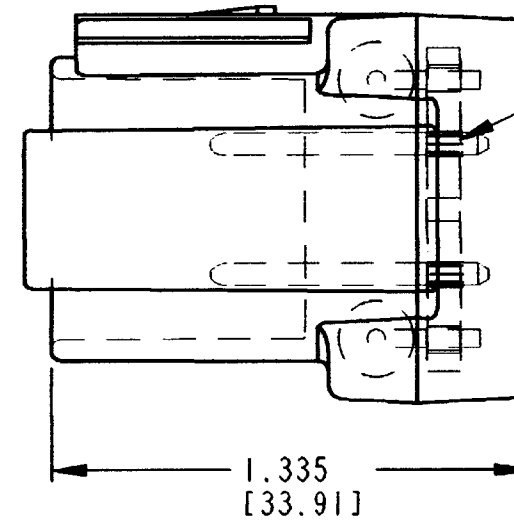
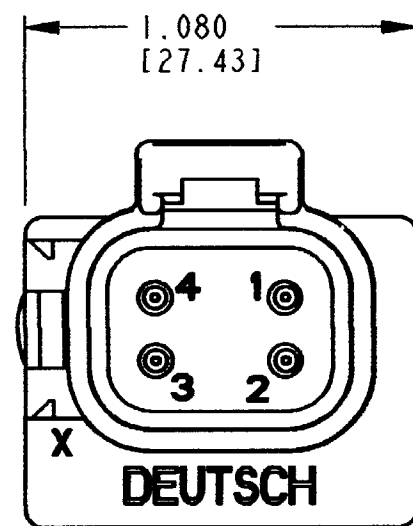
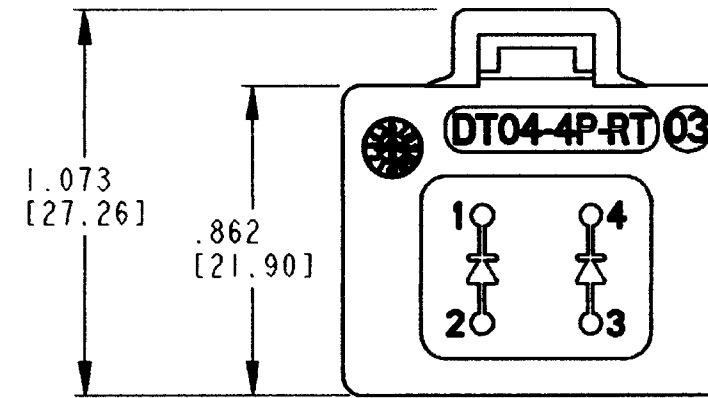


CIRCUIT DIAGRAM



3D VIEW
SCALE 3:2



REV	DT04-4P-RT03	REVISIONS		
SYM	DESCRIPTION	DATE	APPROVED	
NC	NEW RELEASE PER E.O. P16943	11/9/00	C. WOODRUFF	
A	REVISED PER E.O. P19626	4-21-08	RDR	

- NOTES:
1. ALL DIMENSIONS ARE INCHES [METRIC].
 2. ALL DIMENSIONS UNLESS OTHERWISE SPECIFIED ARE $\pm .025$ [.63].
 3. RECEPTACLE MATES WITH DT06-4S-****.
 4. TEMPERATURE RANGE: -55°C TO $+125^{\circ}\text{C}$.
 5. DIODE P/N: MUR460G.
PEAK REVERSE VOLTAGE = 600.0 V MAX.
PEAK FORWARD VOLTAGE = 1.28 V MAX.
AVERAGE FORWARD CURRENT = 4.0 A MAX.
CONSULT THE FACTORY FOR DETAILED SPECIFICATIONS.
 6. HOUSING COLOR TO BE GRAY.

SIGNATURE & DATE	
DR	M. Gonzalez 11/1/00
CHK	[Signature] 1/1/06
PE	[Signature] 6-7-07
APPD	[Signature] 8-28-07
SCALE	NONE WT

**4-WAY RECEPTACLE
TERMINATOR
DT SERIES**

ENVELOPE

EP	MATL. CODE
	3850 INDUSTRIAL AVE. HEMET, CA 92545
DEUTSCH INDUSTRIAL	
B	DT04-4P-RT03
DWG SIZE	CODE 11139 SHEET OF