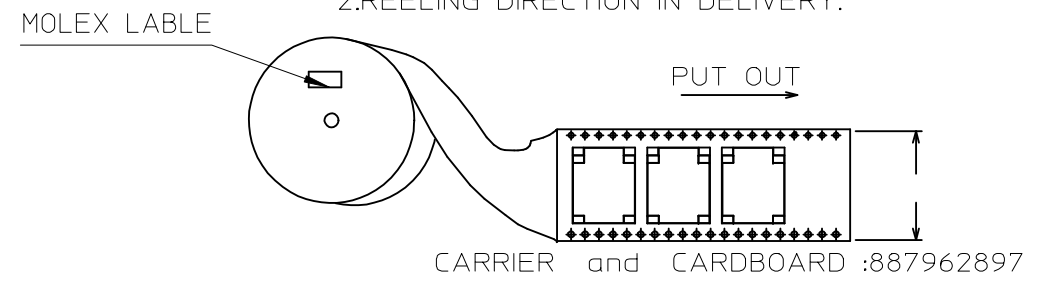
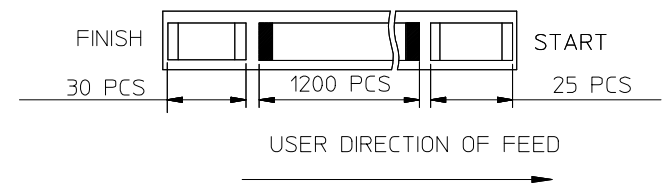


NOTES :
 1. QUANTITY 1200PCS /REEL
 2. REELING DIRECTION IN DELIVERY.



3. USER DIRECTION OF FEED

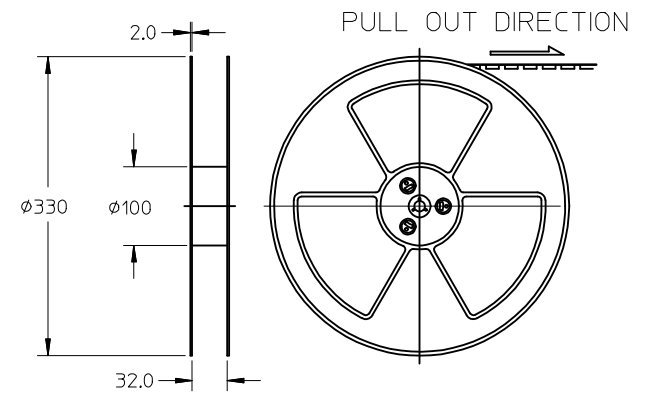
CONNECTOR MOUNTING PART LEADER EMPTY



4. COVER TAPE PEELING FORCE



A	170°~180°
F	10GF~130GF



PRODUCT P/N	PARTS PER SHIPPING CARTON (S.P.Q)	PARTS PER REEL	TOTAL REELS PER CARTON
1050480001	2,400PCS	1200PCS	2
1050481001	2,400PCS	1200PCS	2

- NOTES
- 10 SPROCKET HOLE PITCH CUMULATIVE TOLERANCE +/-0.2MM.
 - CARRIER CAMBER NOT TO EXCEED 1MM IN 100MM.
 - 2.3 DIMENSION MEASURED FROM A PLANE ON THE INSIDE BOTTOM OF THE POCKET TO THE TOP SURFACE OF THE CARRIER.
 - ALL DIMENSIONS MEET EIA-481-C REQUIREMENTS.
 - MATERIAL:BLACK ANTI-STATIC POIYSTYRENE.
 - THICKNESS:0.3±0.05MM.
 - PACKING LENGHT PER 13" REEL:25.5METERS.
 - COMPONENT LOAD PER 13" REEL:1200 PCS.

ADDED CONNECTOR ORIENTATION	DESCRIPTION
EC NO: SH2012-0213	2012/01/04
DRWN:JZENG	2012/01/20
CHKD:JTAN02	2012/01/30
APPR:KHL IM	
B1	REV

QUALITY SYMBOLS	GENERAL TOLERANCES (UNLESS SPECIFIED)	
	mm	INCH
$\nabla_A=0$	4 PLACES ± ---	± ---
$\nabla_C=0$	3 PLACES ± ---	± ---
$\nabla_B=0$	2 PLACES ± 0.15	± ---
	1 PLACE ± 0.2	± ---
	ANGULAR ±1/2°	
	DRAFT WHERE APPLICABLE MUST REMAIN WITHIN DIMENSIONS	

DIMENSION STYLE	
MM ONLY	
DRAWN BY	DATE
LIULEI	2009/09/14
CHECKED BY	DATE
WFDENG	2009/09/14
APPROVED BY	DATE
WFDENG	2010/02/11
MATERIAL NO.	
SEE TABLE	
SIZE	
A3	

SCALE	DESIGN UNITS	THIRD ANGLE PROJECTION
1:1	METRIC	
TITLE		
PACKAGE DRAWING FOR 1.45H GUIDE SIM		
MOLEX MOLEX INCORPORATED		
MATERIAL NO.	DOCUMENT NO.	SHEET NO.
SEE TABLE	PK-105048-001	1 OF 1
THIS DRAWING CONTAINS INFORMATION THAT IS PROPRIETARY TO MOLEX INCORPORATED AND SHOULD NOT BE USED WITHOUT WRITTEN PERMISSION		