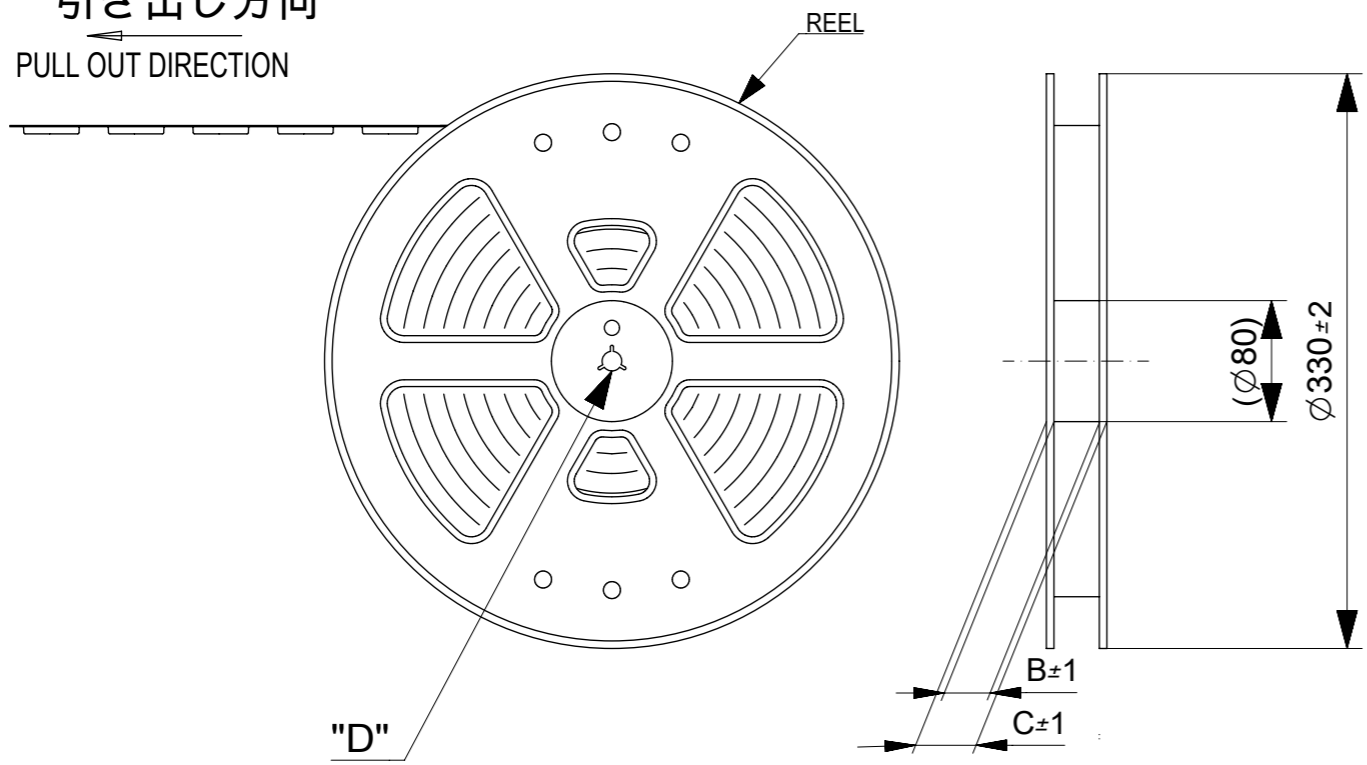
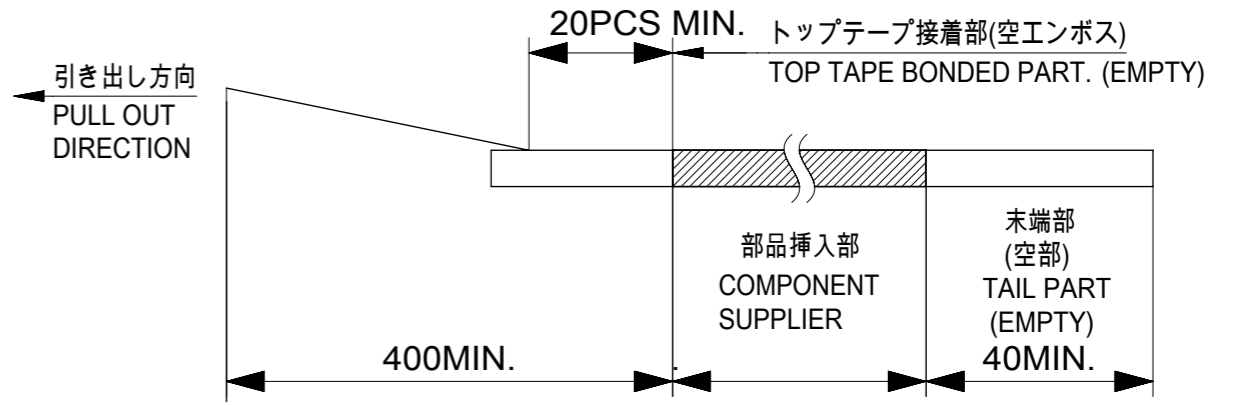


引き出し方向
PULL OUT DIRECTION

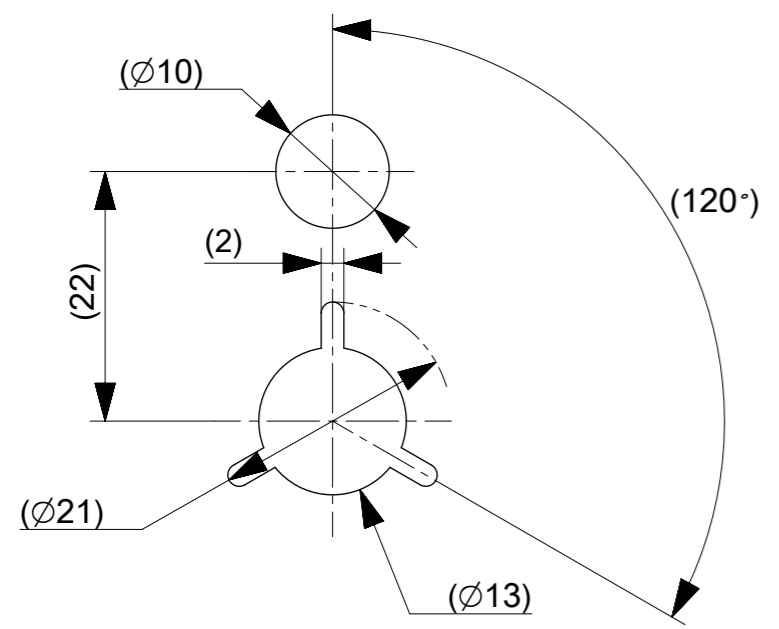


注記 NOTES

- 製品詳細寸法については製品単体図面を参照下さい。
RE DETAILED DIMENSION, SEE PRODUCT DRAWING.
- 梱包数量：3000個 / リール
NUMBER OF CONNECTORS : 3000 PCS/REEL.
- リードテープ長さ LEAD TAPE LENGTH.

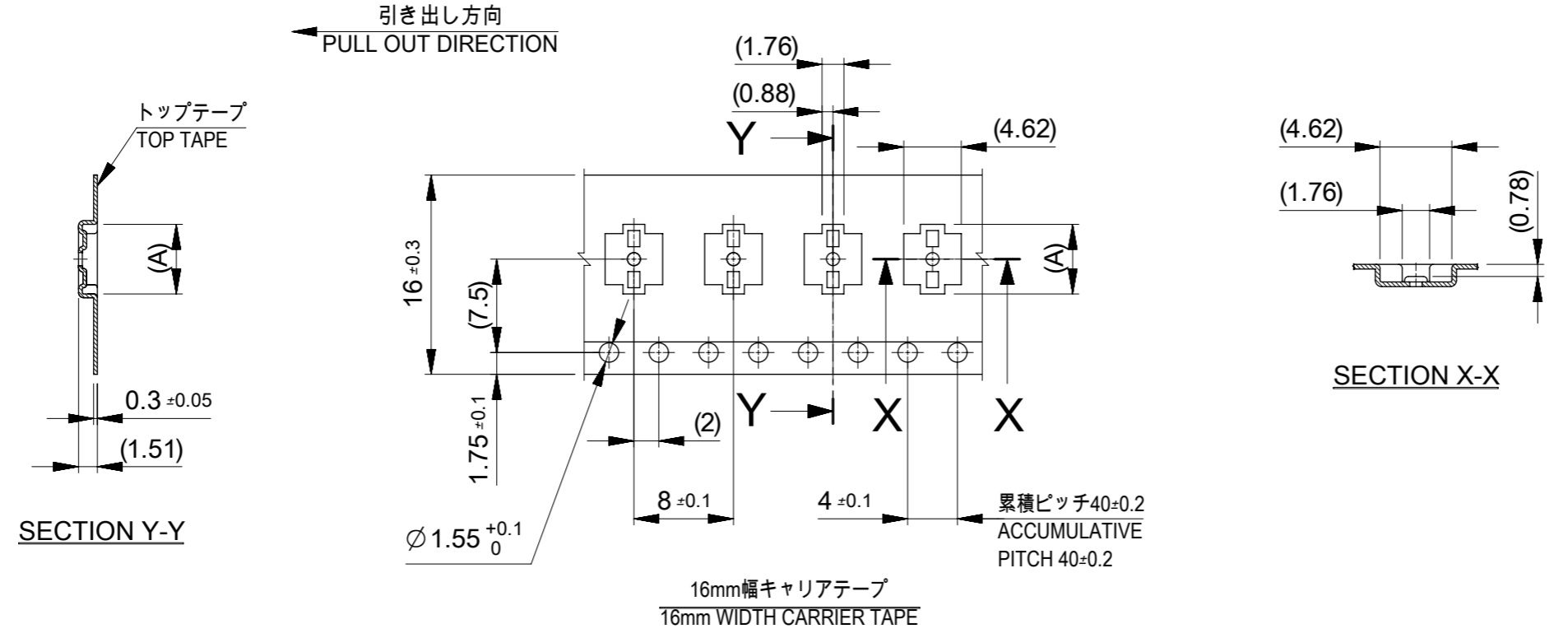


- カバーテープの剥離強度については、IEC60286-3に準拠。
COVER TAPE PEEL FORCE IS DEFINED BY IEC60286-3.
- 材料 MATERIAL
キャリアテープ(CARRIER TAPE) : ポリスチレン(POLYSTYRENE)
トップテープ(TOP TAPE) : PET, OTHER
リール(REEL) : ポリスチレン(PS) <リサイクル材を含む>
POLYSTYRENE(PS) < RECYCLE MATERIAL CONTAINED >
- ELV 及び RoHS適合品
ELV AND RoHS COMPLIANT



DETAIL "D"

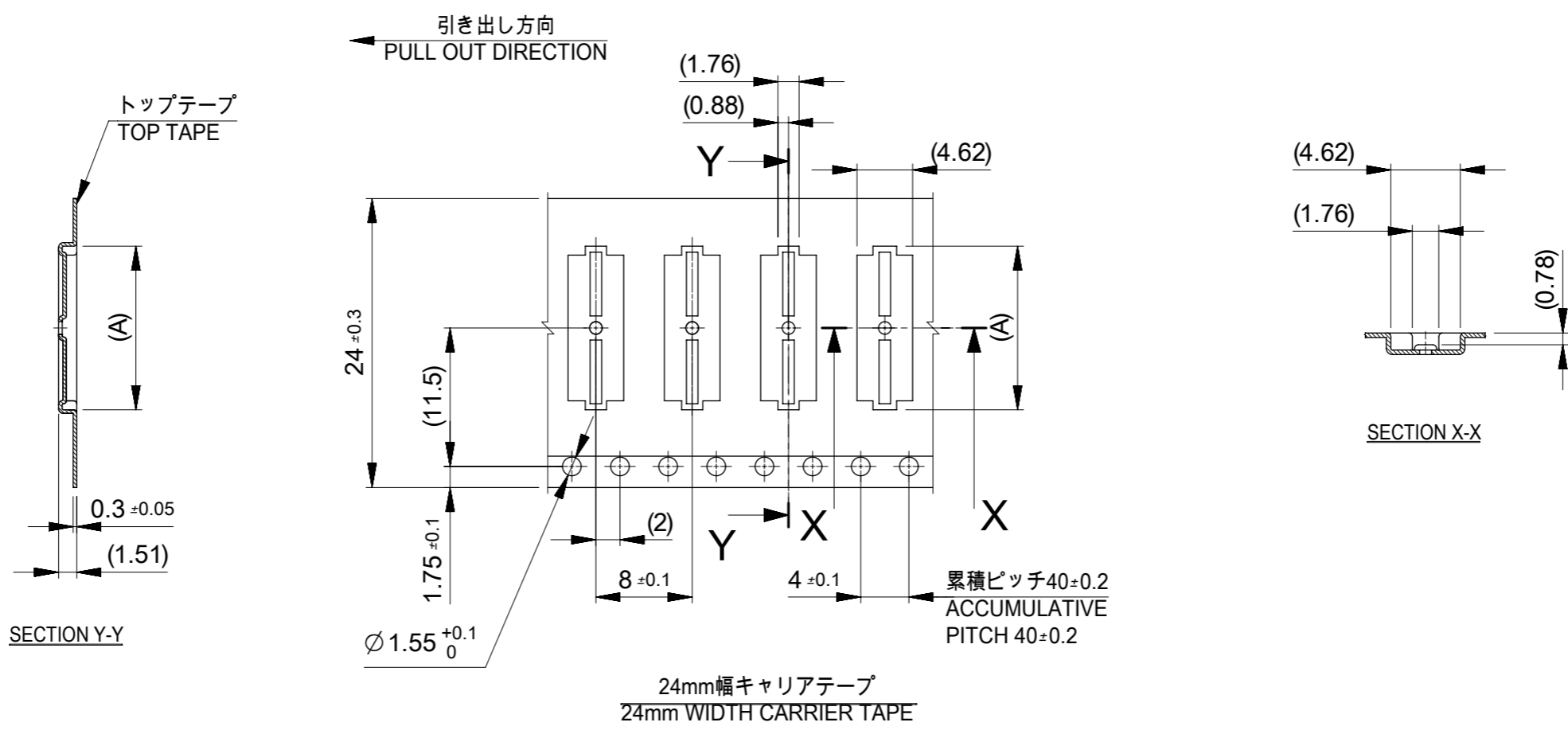
THIS DRAWING CONTAINS INFORMATION THAT IS PROPRIETARY TO MOLEX ELECTRONIC TECHNOLOGIES, LLC AND SHOULD NOT BE USED WITHOUT WRITTEN PERMISSION										
EC NO: 108729 DRWN: JFURUKAWA CHK'D: TASAKAWA APPR: KMORIKAWA	2016/09/21	GENERAL TOLERANCES (UNLESS SPECIFIED)		DIMENSION UNITS	SCALE	molex 0.4 BB CONN. HGT=0.8 PLUG ASSY EMBSTP PKG				
	2016/09/27	ANGULAR TOL ± 3.0 °		MM	NTS					
	2016/09/27	4 PLACES	± 0.03	DRWN BY	DATE	PRODUCT CUSTOMER DRAWING				
		3 PLACES	± 0.03	JFURUKAWA	2016/09/21					
		2 PLACES	± 0.05	CHK'D BY	DATE					
	1 PLACE	± 0.1	TASAKAWA	2016/09/27	SERIES: 503776 MATERIAL NUMBER: SEE CHART CUSTOMER: GENERAL					
	0 PLACES	± 0.2	APPR BY	DATE						
	DRAFT WHERE APPLICABLE MUST REMAIN WITHIN DIMENSIONS		KMORIKAWA	2016/09/27	DRAWING SIZE: A3		THIRD ANGLE PROJECTION		DOCUMENT NUMBER: 5037760000 DOC TYPE: PSD DOC PART: 000 SHEET NUMBER: 1 OF 3	



16	21.4	17.4	6.39	503776-2410	24
			5.59	503776-2010	20
			4.79	503776-1610	16
			3.59	503776-1010	10
キャリアテープ幅 CARRIER TAPE WIDTH		C	B	(A)	MATERIAL NO. CKT. MODEL NO. 503776-***0

THIS DRAWING CONTAINS INFORMATION THAT IS PROPRIETARY TO MOLEX ELECTRONIC TECHNOLOGIES, LLC AND SHOULD NOT BE USED WITHOUT WRITTEN PERMISSION

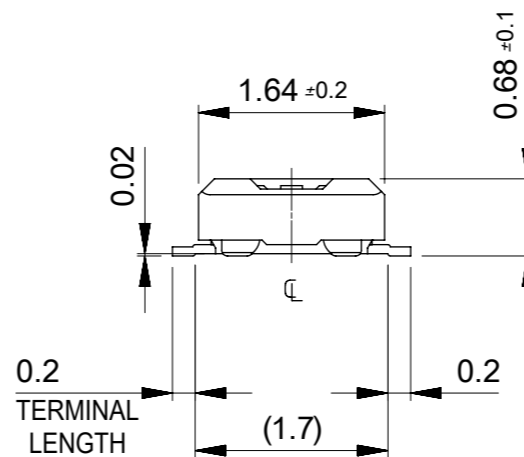
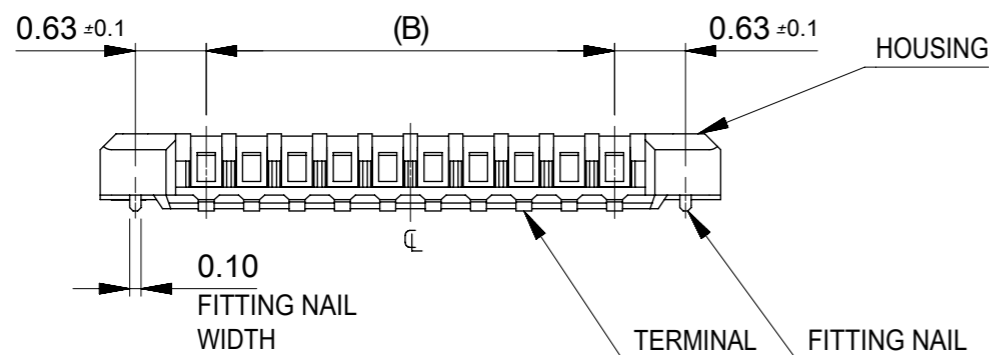
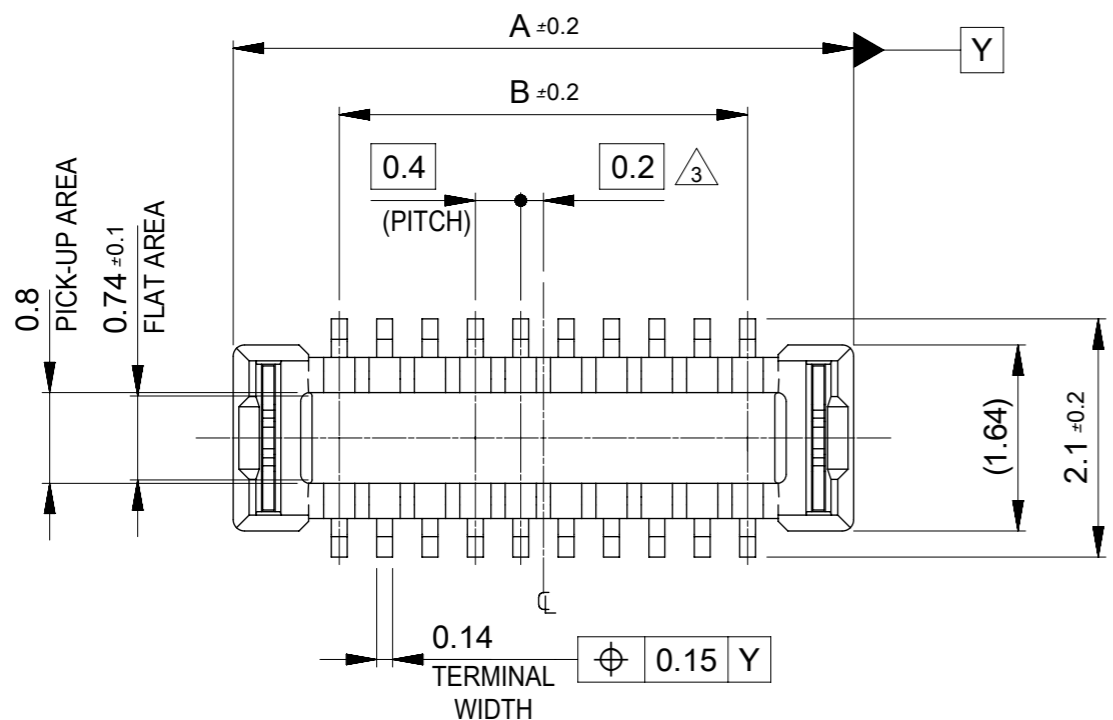
EC NO: 108729 DRWN: JFURUKAWA CHK'D: TASAKAWA APPR: KMORIKAWA	2016/09/21	GENERAL TOLERANCES (UNLESS SPECIFIED)		DIMENSION UNITS	SCALE				
	2016/09/27	ANGULAR TOL ± 3.0 °		MM	NTS				
	2016/09/27	4 PLACES ± 0.03	DRWN BY	DATE			0.4 BB CONN. HGT=0.8 PLUG ASSY EMBSTP PKG		
		3 PLACES ± 0.03	JFURUKAWA	2016/09/21					
		2 PLACES ± 0.05	TASAKAWA	2016/09/27					
	1 PLACE ± 0.1	APPR BY		DATE		PRODUCT CUSTOMER DRAWING			
	0 PLACES ± 0.2	KMORIKAWA	2016/09/27		SERIES	MATERIAL NUMBER	CUSTOMER		
DRAFT WHERE APPLICABLE MUST REMAIN WITHIN DIMENSIONS		DRAWING SIZE		THIRD ANGLE PROJECTION		503776	SEE CHART	GENERAL	
A	REV	A3				DOCUMENT NUMBER	DOC TYPE	DOC PART	SHEET NUMBER
						5037760000	PSD	000	2 OF 3



24	29.4	25.4	13.59	503776-6010	60
			11.59	503776-5010	50
			9.59	503776-4010	40
			8.39	503776-3410	34
			7.59	503776-3010	30
キャリアテープ幅 CARRIER TAPE WIDTH		C	B	(A)	MATERIAL NO. CKT. MODEL NO. 503776-***0

THIS DRAWING CONTAINS INFORMATION THAT IS PROPRIETARY TO MOLEX ELECTRONIC TECHNOLOGIES, LLC AND SHOULD NOT BE USED WITHOUT WRITTEN PERMISSION

EC NO: 108729 DRWN: JFURUKAWA CHK'D: TASAKAWA APPR: KMORIKAWA	2016/09/21	GENERAL TOLERANCES (UNLESS SPECIFIED) ANGULAR TOL ± 3.0 ° 4 PLACES ± 0.03 3 PLACES ± 0.03 2 PLACES ± 0.05 1 PLACE ± 0.1 0 PLACES ± 0.2 DRAFT WHERE APPLICABLE MUST REMAIN WITHIN DIMENSIONS	DIMENSION UNITS	SCALE				
	2016/09/27		MM	NTS				
	2016/09/27		DRWN BY	DATE		0.4 BB CONN. HGT=0.8 PLUG ASSY EMBSTP PKG		
			JFURUKAWA	2016/09/21				
			CHK'D BY	DATE		PRODUCT CUSTOMER DRAWING		
	TASAKAWA	2016/09/27						
	APPR BY	DATE	SERIES	MATERIAL NUMBER	CUSTOMER			
	KMORIKAWA	2016/09/27	503776	SEE CHART	GENERAL			
			DRAWING SIZE	THIRD ANGLE PROJECTION	DOCUMENT NUMBER	DOC TYPE	DOC PART	SHEET NUMBER
			A3		5037760000	PSD	000	3 OF 3



注記 NOTES

1. 使用材料 MATERIAL

ハウジング:液晶ポリマー(LCP) UL94V-0(黒)
 HOUSING : LIQUID CRYSTAL POLYMER UL94V-0 (COLOR : BLACK)
 ターミナル : 銅合金
 TERMINAL : COPPER ALLOY
 金具 : 銅合金
 FITTING NAIL : COPPER ALLOY

2. メッキ仕様 PLATING

ターミナル TERMINAL

金メッキ
 GOLD
 下地メッキ : ニッケルメッキ
 UNDER PLATING : NICKEL
 ※コンタクト部とテール部はニッケルメッキによって分断されている金メッキです。
 DIVIDE INTO PARTS THE GOLD PLATING OF THE CONTACT AND THE TAIL PART BY THE NICKEL PLATING.

金具 FITTING NAIL

錫メッキ
 Tin PLATING
 下地メッキ : ニッケルメッキ
 UNDER PLATING : NICKEL

3. (全極数/2)=偶数の場合に適用。

APPLY FOR (CIRCUIT/2)=EVEN.

4. 嵌合相手 : 503772 シリーズ

MATE WITH : 503772 SERIES.

5. テール及び金具の平坦度は、0.08以下。60極は0.1以下。

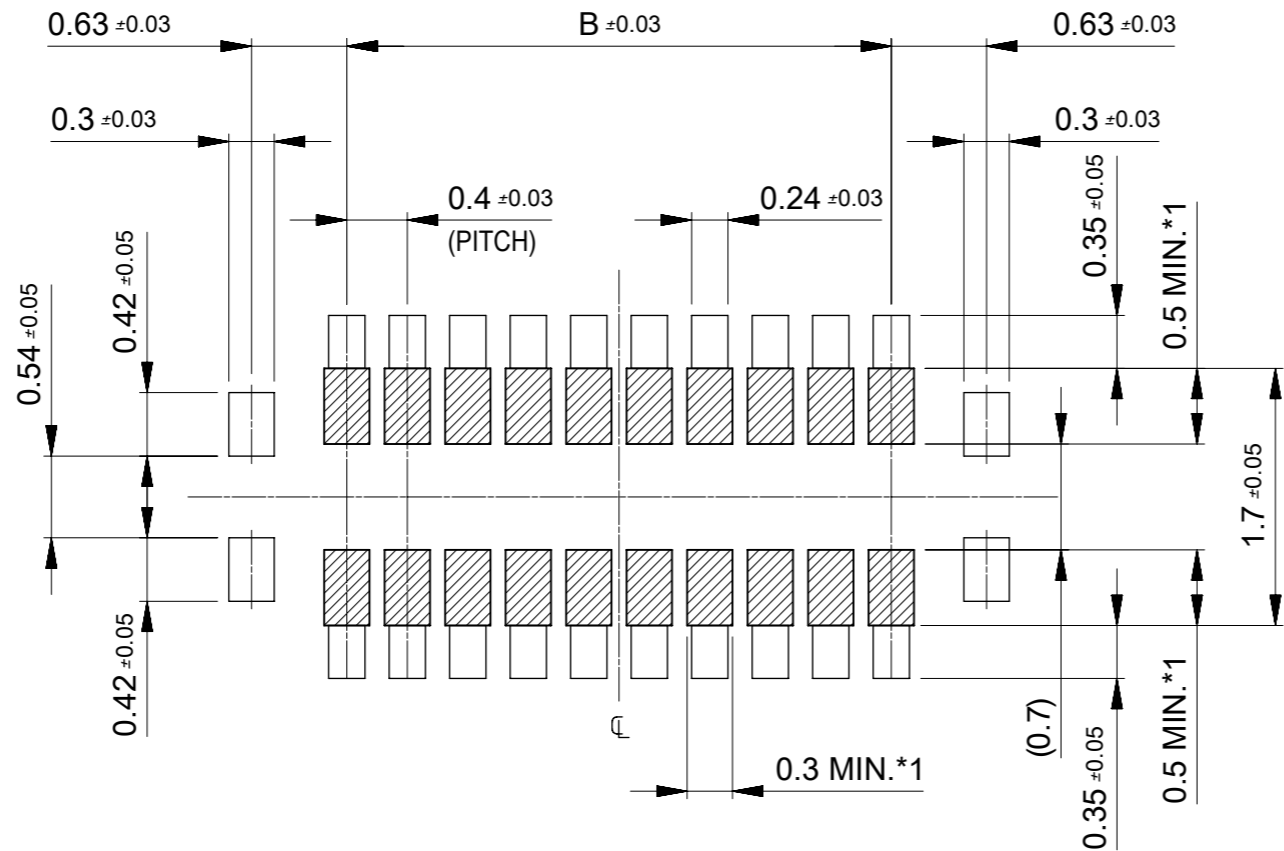
TAIL AND FITTING NAIL COPLANARITY TO BE 0.08 MAXIMUM.
 TAIL AND FITTING NAIL COPLANARITY WITH 60cct TO BE 0.1 MAXIMUM.

6. ELV and RoHS COMPLIANT

11.6	13.47	503776-6010	60
9.6	11.47	503776-5010	50
7.6	9.47	503776-4010	40
6.4	8.27	503776-3410	34
5.6	7.47	503776-3010	30
4.4	6.27	503776-2410	24
3.6	5.47	503776-2010	20
2.8	4.67	503776-1610	16
1.6	3.47	503776-1010	10
B	A	EMBOSSED PACKAGE	極数
		オーダー番号 ORDER No.	CIRCUITS
		CONNECTOR SERIES No. : 503776	

THIS DRAWING CONTAINS INFORMATION THAT IS PROPRIETARY TO MOLEX ELECTRONIC TECHNOLOGIES, LLC AND SHOULD NOT BE USED WITHOUT WRITTEN PERMISSION

EC NO: 108729 DRWN: JFURUKAWA CHK'D: TASAKAWA APPR: KMORIKAWA	2016/09/21	GENERAL TOLERANCES (UNLESS SPECIFIED)		DIMENSION UNITS	SCALE				
	2016/09/27	ANGULAR TOL ± 3.0 °		MM	15:1				
	2016/09/27	4 PLACES	± 0.03	DRWN BY	DATE				
		3 PLACES	± 0.03	JFURUKAWA	2016/09/21				
		2 PLACES	± 0.05	CHK'D BY	DATE				
	1 PLACE	± 0.1	TASAKAWA	2016/09/27					
	0 PLACES	± 0.2	APPR BY	DATE					
			KMORIKAWA	2016/09/27					
			DRAFT WHERE APPLICABLE MUST REMAIN WITHIN DIMENSIONS	DRAWING SIZE	THIRD ANGLE PROJECTION	PRODUCT CUSTOMER DRAWING			
				A3		SERIES	MATERIAL NUMBER	CUSTOMER	
						503776	SEE TABLE	GENERAL	
						DOCUMENT NUMBER	DOC TYPE	DOC PART	SHEET NUMBER
						5037761000	PSD	000	1 OF 2



RECOMMENDED P.W. BOARD
PATTERN LAYOUT

- *1 パターン引き回し、および半田禁止エリア
(当該箇所においては、これと接する回路以外の配線を禁止する。
また、接する回路を配線する場合はレジストを施し、この部分に
半田は無きこととする。)
- *1 PROHIBITED AREA OF PATTERN WIRING AND SOLDER.
(FOR EACH AREA, THE WIRING THAT TOUCHES ON THE SOLDER
CAN BE ATTACHED, THEN COVERED WITH A FILM TO KEEP SOLDER OUT.)

THIS DRAWING CONTAINS INFORMATION THAT IS PROPRIETARY TO MOLEX ELECTRONIC TECHNOLOGIES, LLC AND SHOULD NOT BE USED WITHOUT WRITTEN PERMISSION

EC NO: 108729 DRWN: JFURUKAWA CHK'D: TASAKAWA APPR: KMORIKAWA	2016/09/21	GENERAL TOLERANCES (UNLESS SPECIFIED)		DIMENSION UNITS	SCALE	
	2016/09/27	ANGULAR TOL ± 3.0 °		MM	20:1	
	2016/09/27	4 PLACES ± 0.03	DRWN BY	DATE		
		3 PLACES ± 0.03	JFURUKAWA	2016/09/21		
		2 PLACES ± 0.05	CHK'D BY	DATE		0.4 BB CONN. HGT=0.8 W=2.5 PLUG ASSY
		1 PLACE ± 0.1	TASAKAWA	2016/09/27		
		0 PLACES ± 0.2	APPR BY	DATE		PRODUCT CUSTOMER DRAWING
			KMORIKAWA	2016/09/27		
			DRAFT WHERE APPLICABLE MUST REMAIN WITHIN DIMENSIONS	DRAWING SIZE	THIRD ANGLE PROJECTION	SERIES
				A3		503776
						MATERIAL NUMBER
						SEE TABLE
						CUSTOMER
						GENERAL
						DOCUMENT NUMBER
						5037761000
						DOC TYPE
						PSD
						DOC PART
						000
						SHEET NUMBER
						2 OF 2