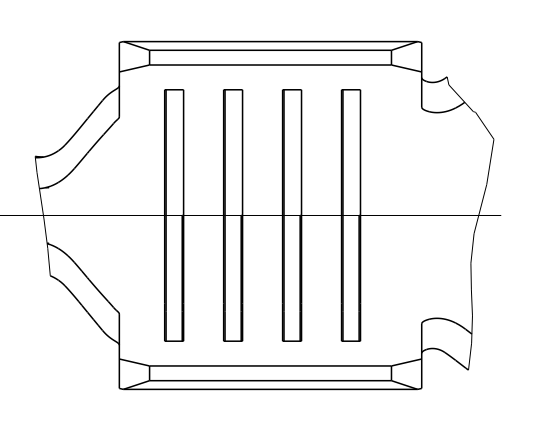


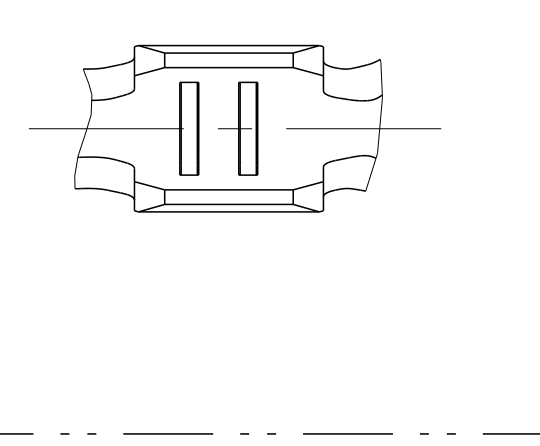
REV	DATE	BY	CHK	APPD
B12	27MAY2021	JJM	JCB	
B13	08SEP2021	KMD	JCB	
B14	19MAY2022	KMD	JCB	
B15	09MAY2023	KMD	SC	

VERSION A (UNSEALED / ungedichtet)

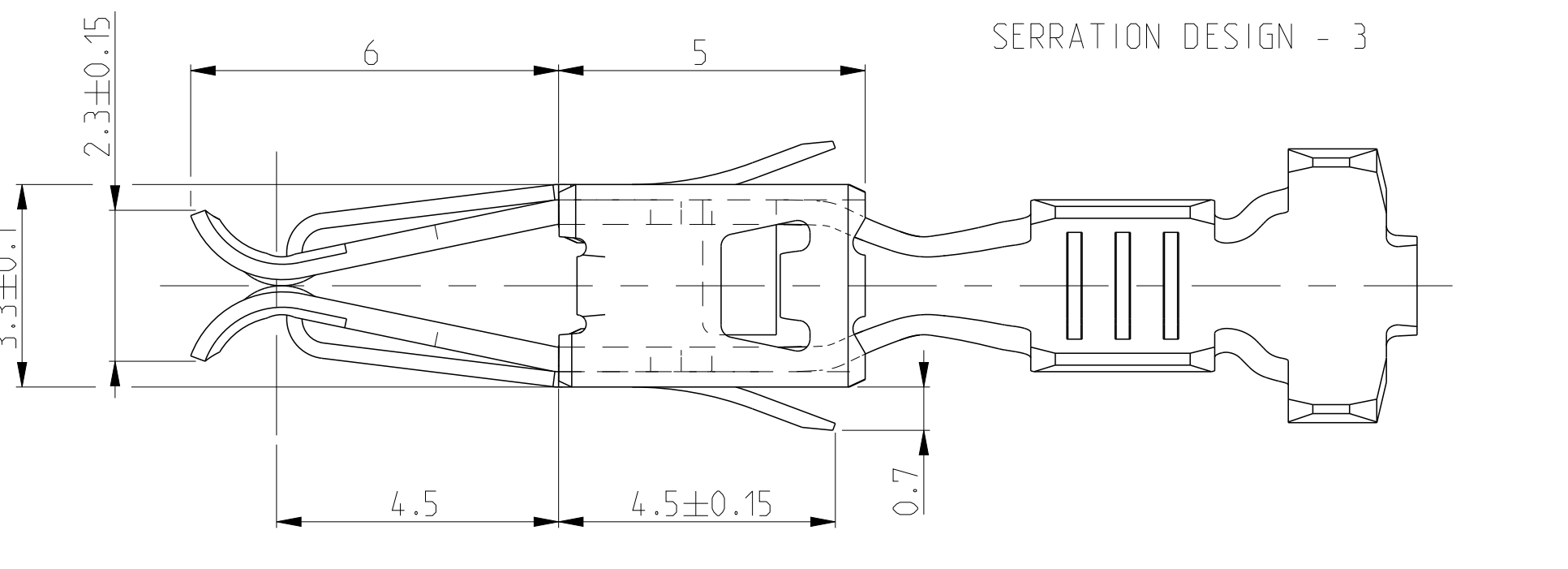
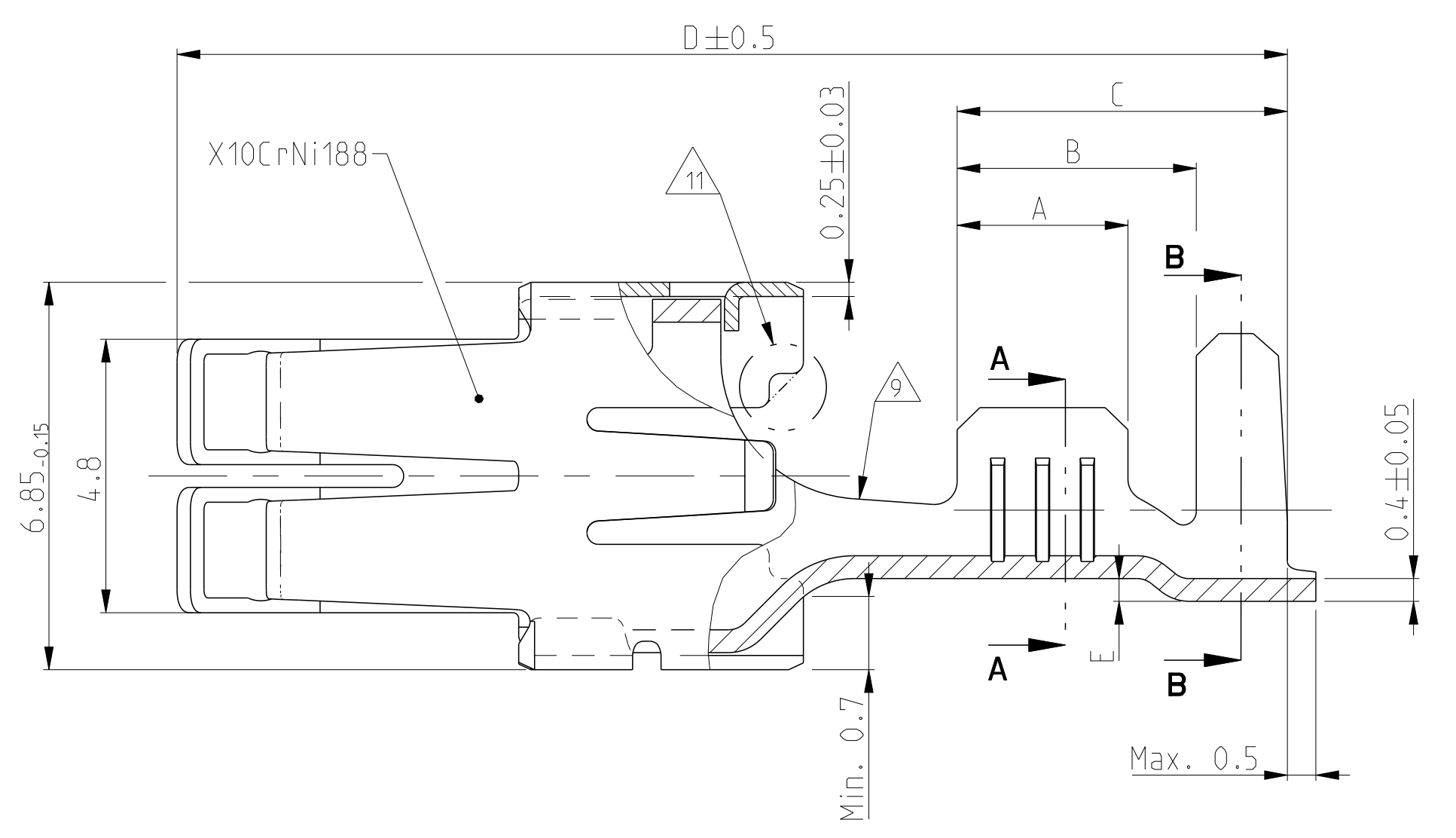
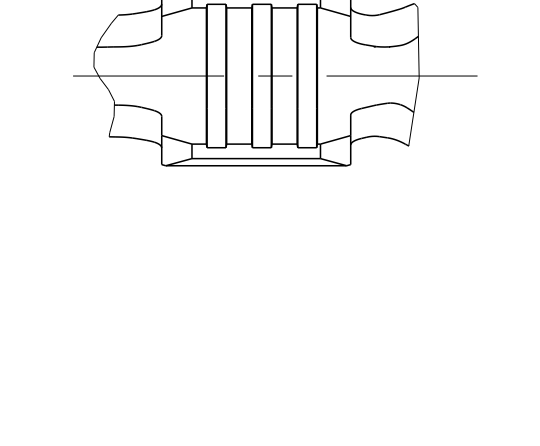
SERRATION DESIGN - 1



SERRATION DESIGN - 2

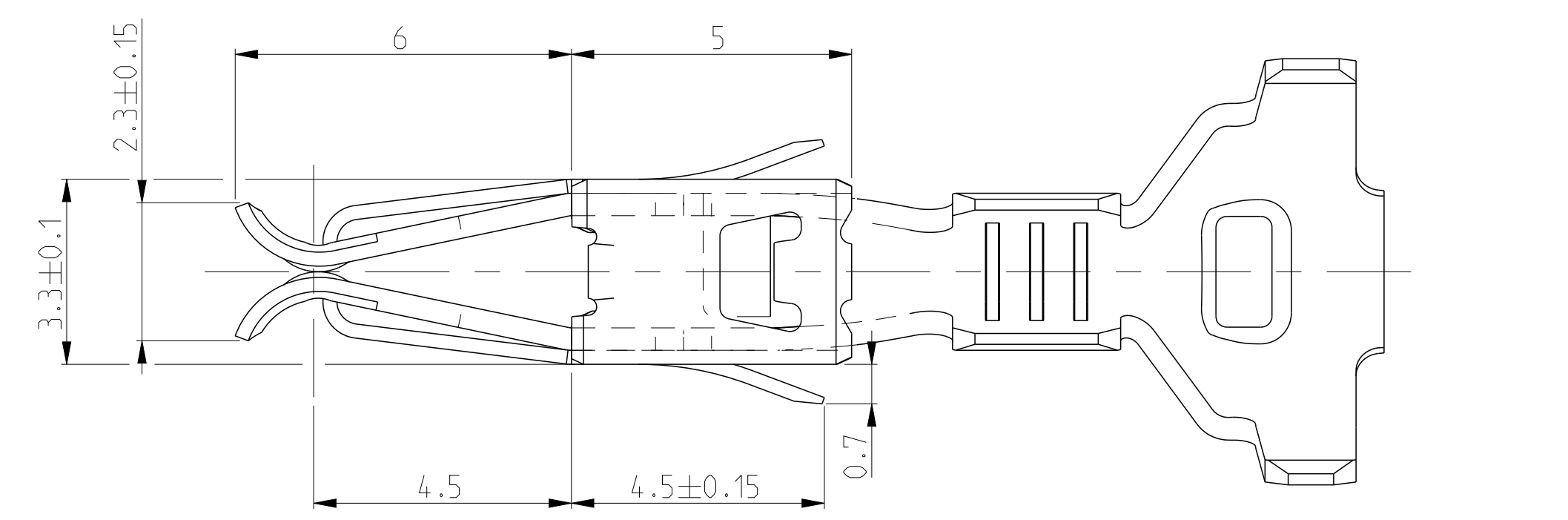
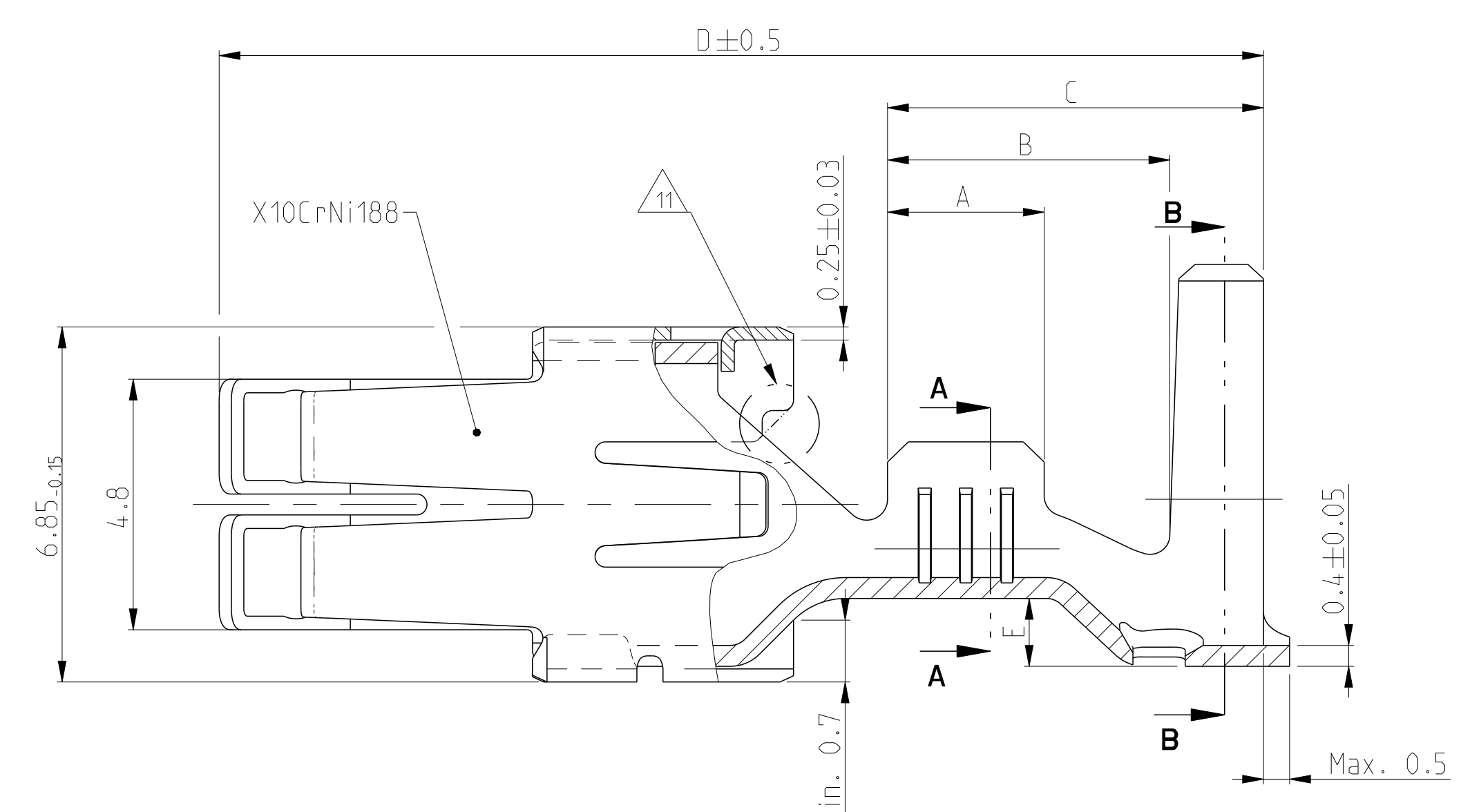
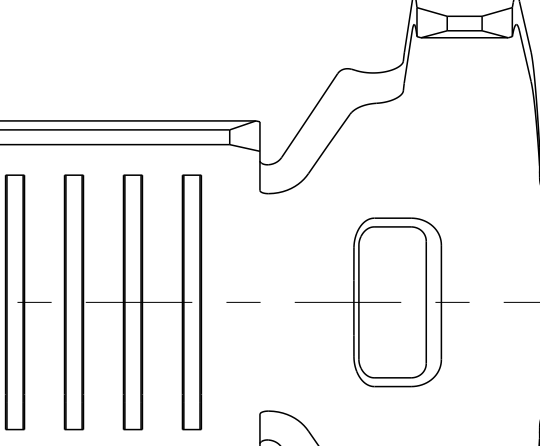


SERRATION DESIGN - 4



VERSION B (SINGLE WIRE SEAL / Einzel-Dichtungs-System)

SERRATION DESIGN - 1



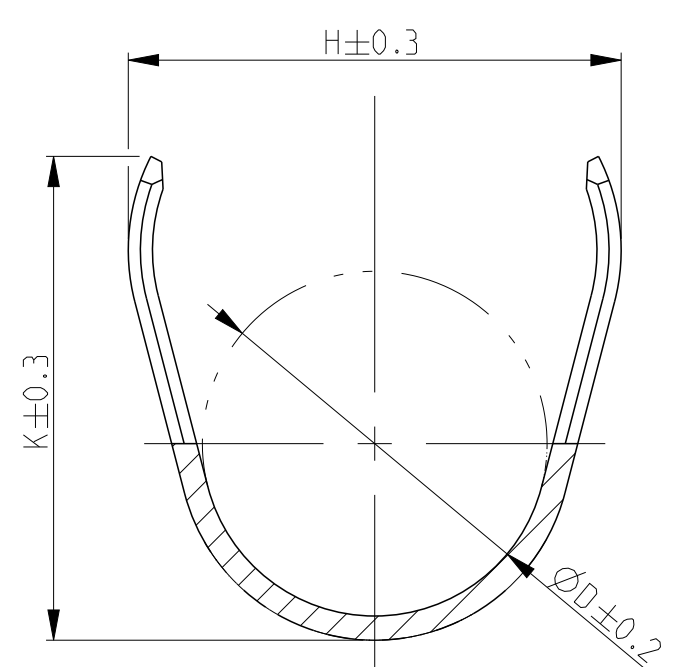
REV	DATE	BY	CHK	APPD	TE CONNECTIVITY ORDER - NO	TE CONNECTIVITY ORDER - NO	TE CONNECTIVITY ORDER - NO	TE CONNECTIVITY ORDER - NO	MATERIAL	SURFACE
-	-	-	-	-	1862028-5	A	CuFe2	PRESILVERED	-	-
-	-	-	-	-	1862028-1	A	CuFe2	PRETINNED	-	-
-	-	-	-	-	1862029-5	A	CuFe2	PRESILVERED	-	-
-	-	-	-	-	1862029-1	A	CuFe2	PRETINNED	-	-
-	-	-	-	-	927839-2	C	CuSn4	PRETINNED	-	-
-	-	-	-	-	927839-1	C	CuFe2	PRETINNED	-	-
-	-	-	-	-	927827-2	C	CuSn4	PRETINNED	-	-
-	-	-	-	-	927827-1	C	CuFe2	PRETINNED	-	-
-	-	-	-	-	927833-5	D	CuSn4	PRETINNED	-	-
-	-	-	-	-	927833-2	D	CuSn4	PRETINNED	-	-
-	-	-	-	-	927833-1	D	CuFe2	PRETINNED	-	-
927824-2	C	-	-	-	-	-	CuSn4	PRETINNED	-	-
927824-1	C	-	-	-	-	-	CuFe2	PRETINNED	-	-
9263709-5	C	-	-	-	-	-	CuFe2	vorverzinkt	-	-
9263709-2	C	-	-	-	-	-	CuSn4	vorverzinkt	-	-
9263709-1	C	-	-	-	-	-	CuFe2	PRETINNED	-	-
1241818-5	B	-	-	-	-	-	CuFe2	vorverzinkt	-	-
1241818-1	B	-	-	-	-	-	CuFe2	PRETINNED	-	-
927840-5	C	-	-	-	-	-	CuFe2	vorverzinkt	-	-
927840-4	C	-	-	-	-	-	CuSn4	PRESILVERED	-	-
927840-2	C	-	-	-	-	-	CuSn4	vorverzinkt	-	-
927840-1	C	-	-	-	-	-	CuFe2	PRETINNED	-	-
927831-5	C	-	-	-	-	-	CuFe2	vorverzinkt	-	-
927831-4	C	-	-	-	-	-	CuSn4	PRESILVERED	-	-
927831-2	C	-	-	-	-	-	CuSn4	vorverzinkt	-	-
927831-1	C	-	-	-	-	-	CuFe2	PRETINNED	-	-
927837-5	D	-	-	-	-	-	CuFe2	vorverzinkt	-	-
927837-6	D	-	-	-	-	-	CuFe2	vorverzinkt	-	-
927837-5	D	-	-	-	-	-	CuFe2	vorverzinkt	-	-
927837-4	D	-	-	-	-	-	CuSn4	PRESILVERED	-	-
927837-2	D	-	-	-	-	-	CuSn4	vorverzinkt	-	-
927837-1	D	-	-	-	-	-	CuFe2	PRETINNED	-	-
927829-5	D	-	-	-	-	-	CuFe2	vorverzinkt	-	-
927829-2	D	-	-	-	-	-	CuSn4	vorverzinkt	-	-
927829-1	D	-	-	-	-	-	CuFe2	PRETINNED	-	-

TE CONNECTIVITY ORDER - NO	TE CONNECTIVITY ORDER - NO	TE CONNECTIVITY ORDER - NO	TE CONNECTIVITY ORDER - NO	MATERIAL	SURFACE	CRIMP DIMENSIONS (mm)	CRIMP HEIGHT	APPLICATION TOOL	HAND TOOL	EXTRACTION TOOL	A	B	C	D	E	TE CONNECTIVITY ORDER - NO.
0.75 - 1 FLR	E = 2.9 G = 3.2 D _w = 1.1	H = 3.9 K = 4.1 D _w = 1.8	0.75mm ² = 1.39 1mm ² = 1.46 0.75mm ² = 1.39 1mm ² = 1.46	MQC - Applicator	2837771-2	3	4.2	5.8	19.5	0.4						
0.35 - 0.5 FLR	E = 2.37 G = 2.45 D _w = 0.8	H = 2.8 K = 3.1 D _w = 1.4	0.5mm ² = 1.14 0.35mm ² = 1.09 0.5mm ² = 1.14 0.35mm ² = 1.09	MQC - Applicator	2837770-2	2.5	3.8	6.6	19.5	0.3						
0.2 - 0.5 FLK	E = 2.2 G = 2.2 D _w = 0.8	H = 3.7 K = 3.8 D _w = 2.0	0.20mm ² = 1.13 0.25mm ² = 1.15 0.35mm ² = 1.19 0.50mm ² = 1.26	MQC - Applicator	878426-2	2.5	3.8	6.6	19.5	0.3						
0.5 - 1.0 FLK	E = 2.8 K = 4.7 D _w = 1.1	H = 4.5 K = 4.7 D _w = 2.4	0.5mm ² = 1.38 0.75mm ² = 1.47 1.0mm ² = 1.56	MQC - Applicator	2-541689-2	3	4.2	5.8	19.5	0.4						
>1.0 - 2.5 FLK	E = 3.8 G = 4.1 D _w = 1.6	H = 5.7 K = 5.8 D _w = 3.6	1.5mm ² = 1.76 2.0mm ² = 1.90 2.5mm ² = 2.04	MQC - Applicator	878367-2	3.5	4.7	6.3	19.5	0.4						
>2.5 - 4.0 FLK	E = 4.6 G = 4.8 D _w = 2.4	H = 6.3 K = 6.6 D _w = 4.0	3.0mm ² = 2.13 3.5mm ² = 2.24 4.0mm ² = 2.35	MQC - Applicator	2-878314-2	4	5.2	6.8	19.5	0.6						
4.0 - 6.0 FLK	E = 5.2 G = 5.5 D _w = 2.9	H = 7.3 K = 7.6 D _w = 4.5	4.0mm ² = 2.17 5.0mm ² = 2.36 6.0mm ² = 2.55	MQC - Applicator	2-878738-2	4.2	5.6	7.7	20	0.6						
0.2 - 0.5 FLR	E = 2.2 G = 2.2 D _w = 0.8	H = 2.8 K = 2.8 D _w = 1.4	0.2mm ² = 1.13 0.35mm ² = 1.19 0.5mm ² = 1.26	MQC - Applicator	878427-2	2.5	3.8	6.6	19.5	0.3						
0.5 - 1.0 FLR	E = 2.8 G = 3.0 D _w = 1.1	H = 3.9 K = 4.1 D _w = 1.8	0.5mm ² = 1.43 0.75mm ² = 1.52 1.0mm ² = 1.61	MQC - Applicator	878328-2	3	4.2	5.8	19.5	0.4						
>1.0 - 2.5 FLR	E = 3.8 G = 4.1 D _w = 1.6	H = 4.8 K = 4.9 D _w = 2.6	1.25mm ² = 1.69 1.5mm ² = 1.76 2.0mm ² = 1.90 2.5mm ² = 2.04	MQC - Applicator	878356-2	3.5	4.7	6.3	19.5	0.4						
>2.5 - 4.0 FLR	E = 4.6 G = 4.8 D _w = 2.4	H = 5.5 K = 5.7 D _w = 3.3	3.0mm ² = 2.13 3.5mm ² = 2.24 4.0mm ² = 2.35	MQC - Applicator	2-878384-2	4	5.2	6.8	19.5	0.6						

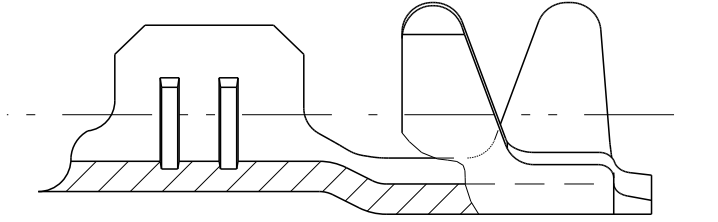
TE CONNECTIVITY ORDER - NO	TE CONNECTIVITY ORDER - NO	TE CONNECTIVITY ORDER - NO	TE CONNECTIVITY ORDER - NO	MATERIAL	SURFACE
2-928966-2	D	-	-	CuSn4	vorverzinkt
2-928966-1	D	-	-	CuSn4	PRETINNED
1-928966-3	D	-	-	CuSn4	PRETINNED
928966-2	D	-	-	CuSn4	vorverzinkt
928966-1	D	-	-	CuFe2	PRETINNED
1241962-1	B	-	-	CuFe2	vorverzinkt

TE CONNECTIVITY ORDER - NO	TE CONNECTIVITY ORDER - NO	TE CONNECTIVITY ORDER - NO	TE CONNECTIVITY ORDER - NO	MATERIAL	SURFACE	CRIMP DIMENSIONS (mm)	CRIMP HEIGHT	APPLICATION TOOL	HAND TOOL	EXTRACTION TOOL	A	B	C	D	E	TE CONNECTIVITY ORDER - NO.
0.5 - 1.0 FLR	E = 2.8 G = 3.0 D _w = 1.1	H = 7.6 K = 7.7 D _w = 5.6	0.5mm ² = 1.43 0.75mm ² = 1.52 1.0mm ² = 1.61	MQC - Applicator	878337-2	3	5.4	7.2	20	1.25						
>1.0 - 2.5 FLR	E = 3.8 G = 4.1 D _w = 1.6	H = 7.6 K = 7.7 D _w = 5.6	1.5mm ² = 1.76 2.0mm ² = 1.90 2.5mm ² = 2.04	MQC - Applicator	878338-2	3.5	5.9	7.7	20	1.25						
>2.5 - 4.0 FLR	E = 4.6 G = 4.8 D _w = 2.4	H = 7.6 K = 7.7 D _w = 5.6	3.0mm ² = 2.13 4.0mm ² = 2.35	MQC - Applicator	878441-2	4	5.9	7.7	20	1.25						
>3.0 - 5.0 FLR	E = 4.8 G = 5.2 D _w = 2.5	H = 8.15 K = 7.8 D _w = 6.0	3.0mm ² = 2.25 4.0mm ² = 2.50 5.0mm ² = 2.75	MQC - Applicator	-	4	5.9	7.7	20	1.25						

- CONTACT ZONE SELECTIVE PRE SILVER PLATED MIN 3-4.5µm Kontaktzone selektiv vorversilbert min. 3-4.5µm
- CONTACT ZONE SELECTIVE PRE SILVER PLATED MIN 1-1.5µm Kontaktzone selektiv vorversilbert min. 1-1.5µm
- CONTACT BODY: ELECTRO TIN PLATED OVER NICKEL CONTACT AREA: GOLD PLATED Kontaktkoerper: gal. verzinkt ueber Nickel Kontaktzone: vergoldet
- CONTACT BODY: ELECTRO TIN PLATED OVER NICKEL CONTACT AREA: SELECTIVE NICKEL PLATED 2-4µm Kontaktkoerper: gal. verzinkt ueber Nickel Kontaktzone: selektiv vernickelt 2-4µm
- CONTACT BODY: ELECTRO TIN PLATED OVER NICKEL TOUCHING AREA TO CANTILEVER SPRING: SELECTIVE AU PLATED OVER NICKEL CANTILEVER SPRING: COMPLETELY AU PLATED Kontaktkoerper: gal. verzinkt ueber Nickel Anlageflaeche zur Ueberfeder selektiv Au ueber Ni beschichtet Ueberfeder: komplett Au beschichtet



- WRAP CRIMP ONLY FOR PN: 927839, 927840, 928989 AND 928990 Umfassungscrimp nur bei PN: 927839, 927840, 928989 und 928990
- TRANSITION ONLY FOR PN 927827, 927828, 927829, 927830, 927833, 927834, 927837 AND 927838 Uebergang nur fuer PN 927827, 927828, 927829, 927830, 927833, 927834, 927837 und 927838
- 1-3µm Sn28M LAYER FOR HIGHER TEMPERATURE REQUIREMENTS 1-3µm Sn28M Schicht fuer hoehere Temperaturanforderungen
- DOTTED LINE IS ALTERNATIVE SHAPE Gestrichelte Linie alternative Form
- OBSELETE
- SEE APPLICATION SPEC. FOR PREFERRED STANDARD TO MEET NEW REQUIREMENT LV214-2 SLOW MOTION BENDING TEST Siehe Verarbeitungs Spezifikation fuer bevorzugten Standard um den neuen Anforderungen der LV214-2 Slow Motion Pruefung zu genuegen



THIS DRAWING IS A CONTROLLED DOCUMENT. DIMENSIONING AND TOLERANCING PER GPS (ISO STANDARDS).

DATE: 09MAY2023
DRAWN BY: JMM
CHECKED BY: JCB
APPROVED BY: KMD

TE CONNECTIVITY
STANDARD POWER TIMER CONTACT
Standard Power Timer Kontakt

EXTRACTION TOOL: T-1579007-6
MATERIAL: -
FINISH: -

SCALE: 10:1
SHEET: 1 OF 1
REV: B15